

[54] **MULTIPOSITION PEGHOOK BRACKET**

[75] Inventor: **Marvin Zaro**, New York, N.Y.

[73] Assignee: **Advertising Displays Company**, Englewood, N.J.

[\*\*] Term: **14 Years**

[21] Appl. No.: **105,460**

[22] Filed: **Dec. 20, 1979**

[51] Int. Cl. .... **D8-08**

[52] U.S. Cl. .... **D8/354; D6/114; D8/367; D8/373**

[58] **Field of Search** ..... 248/221.2, 220.3, 220.4, 248/221.1, 223.3, 224.2, 225.1, 216.1; D6/157, 188, 189, 114; 211/135; D8/354, 367, 372, 373, 380, 381

[56] **References Cited**

**U.S. PATENT DOCUMENTS**

- D. 234,066 1/1975 Wallace ..... D6/114 X
- D. 242,512 11/1976 Enckler ..... D6/114

- 2,915,193 12/1959 Bromberg ..... D6/114 X
- 3,489,382 1/1970 Larson ..... 248/221.1
- 3,737,131 6/1973 Larson ..... 248/220.4
- 4,160,570 7/1979 Bridges ..... D6/114 X

*Primary Examiner*—A. Hugo Word  
*Attorney, Agent, or Firm*—Ladas & Parry

[57] **CLAIM**

The ornamental design for a multiposition peghook bracket, as shown and described.

**DESCRIPTION**

FIG. 1 is a perspective view of the multiposition peghook bracket according to the invention showing the top, front and right side thereof;  
 FIG. 2 is a front elevation;  
 FIG. 3 is a right side elevation as seen from the right of FIG. 2, the left side elevation being a mirror image of this right side elevation;  
 FIG. 4 is a plan view of the top as seen from the top of FIG. 2; and  
 FIG. 5 is a section on section line 5—5.  
 The rear and base not shown are plain.

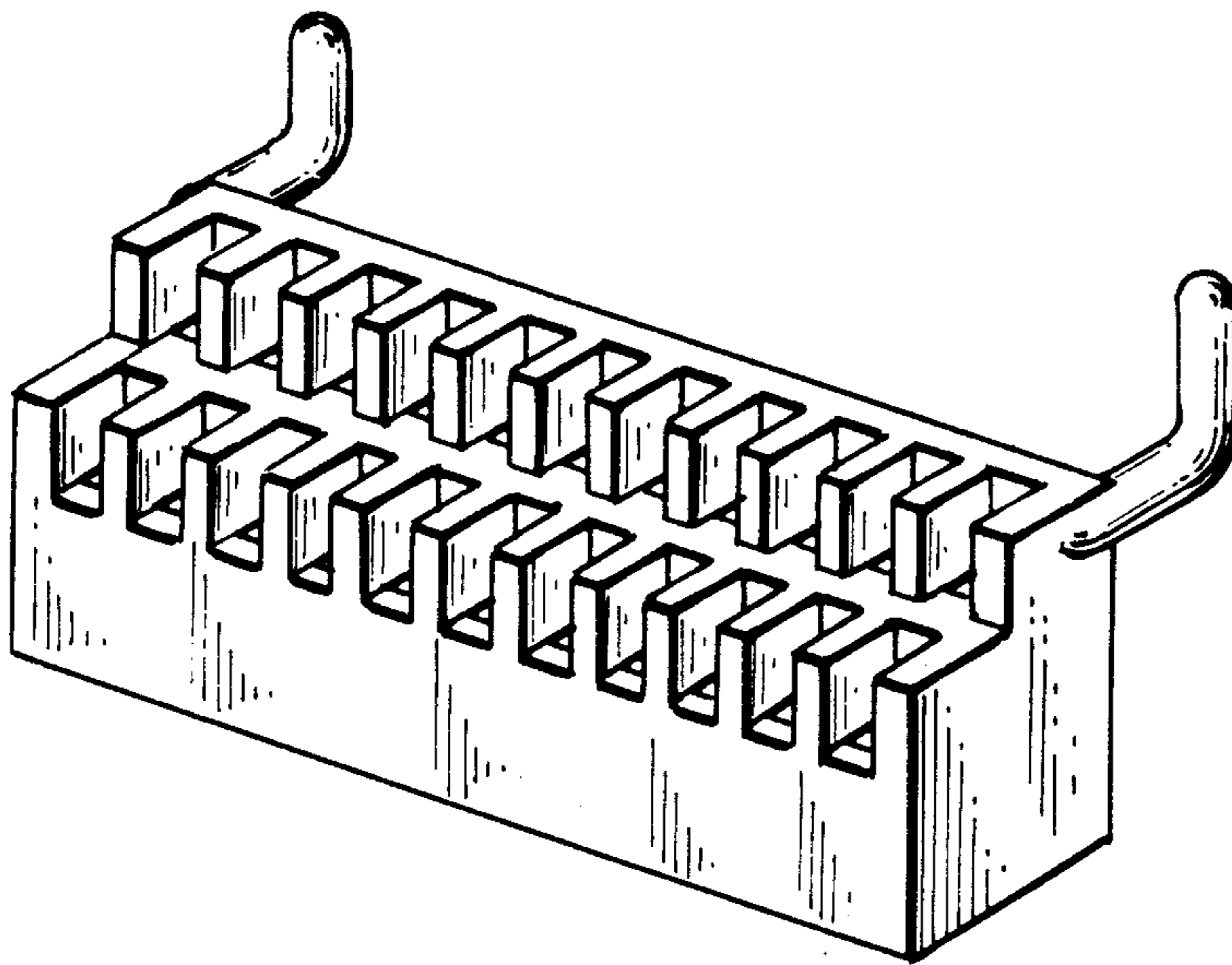


FIG. 1

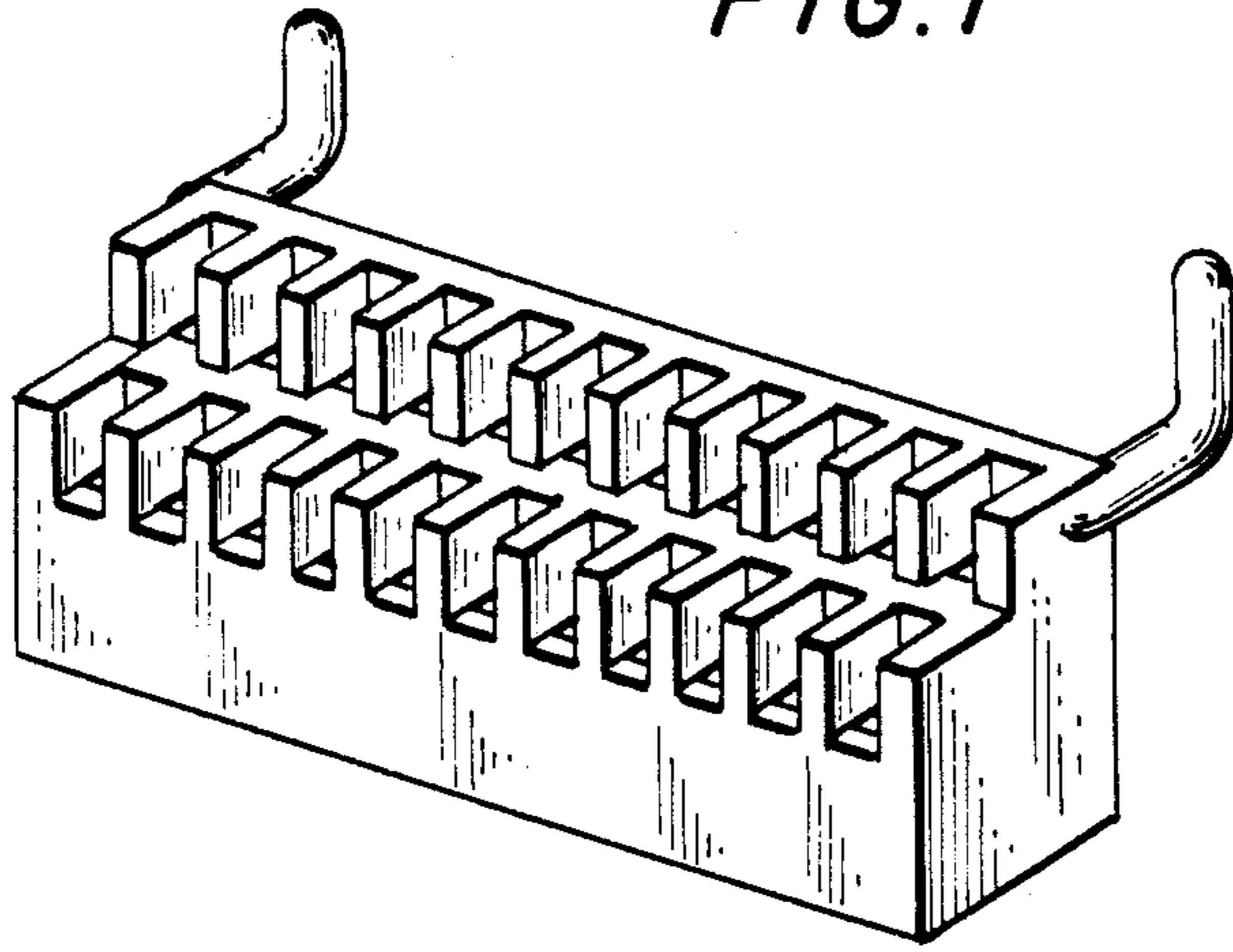


FIG. 2

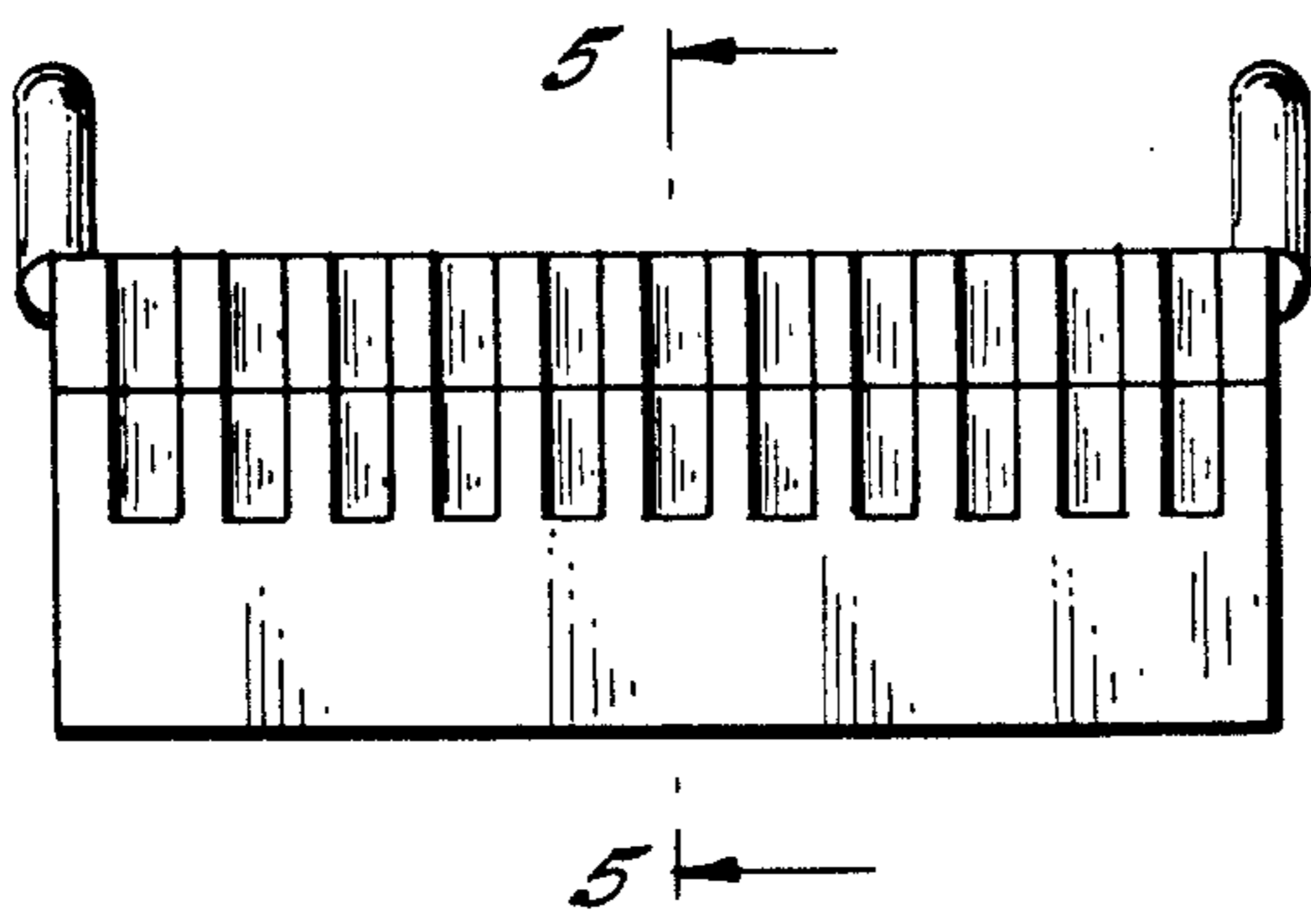


FIG. 3

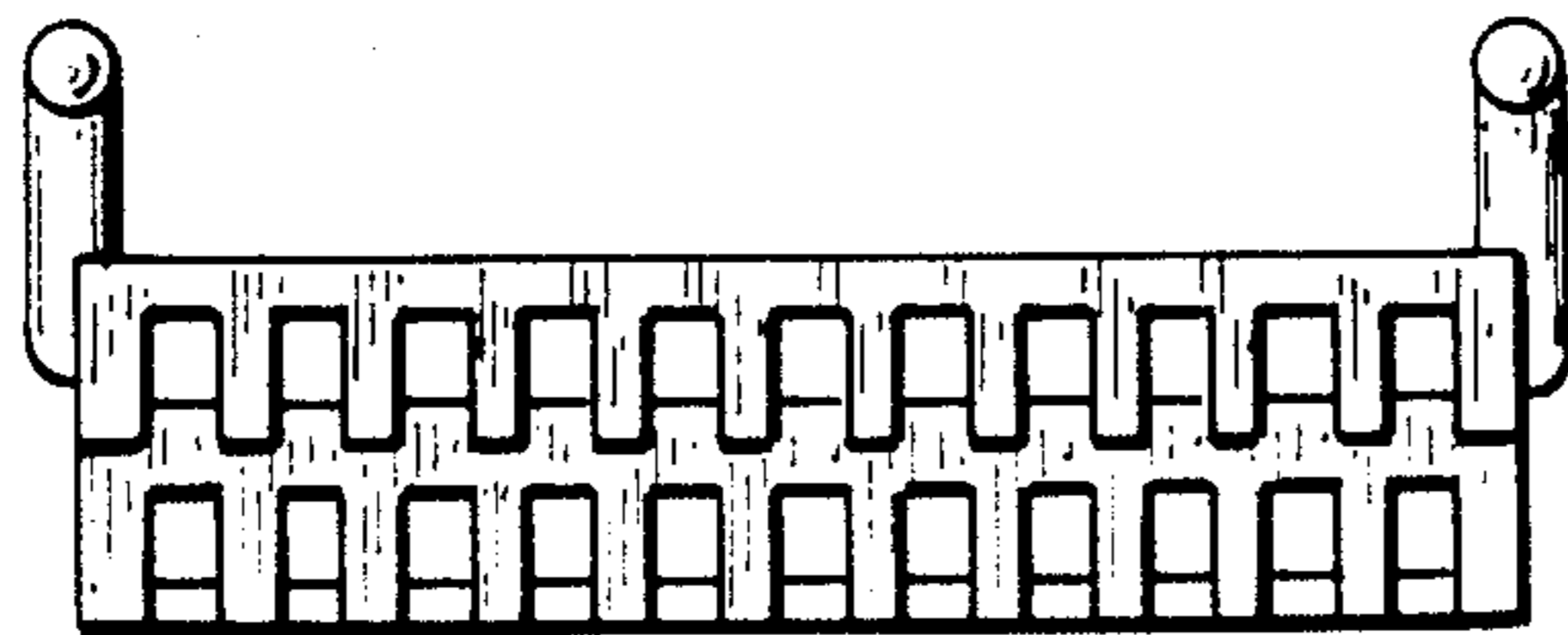
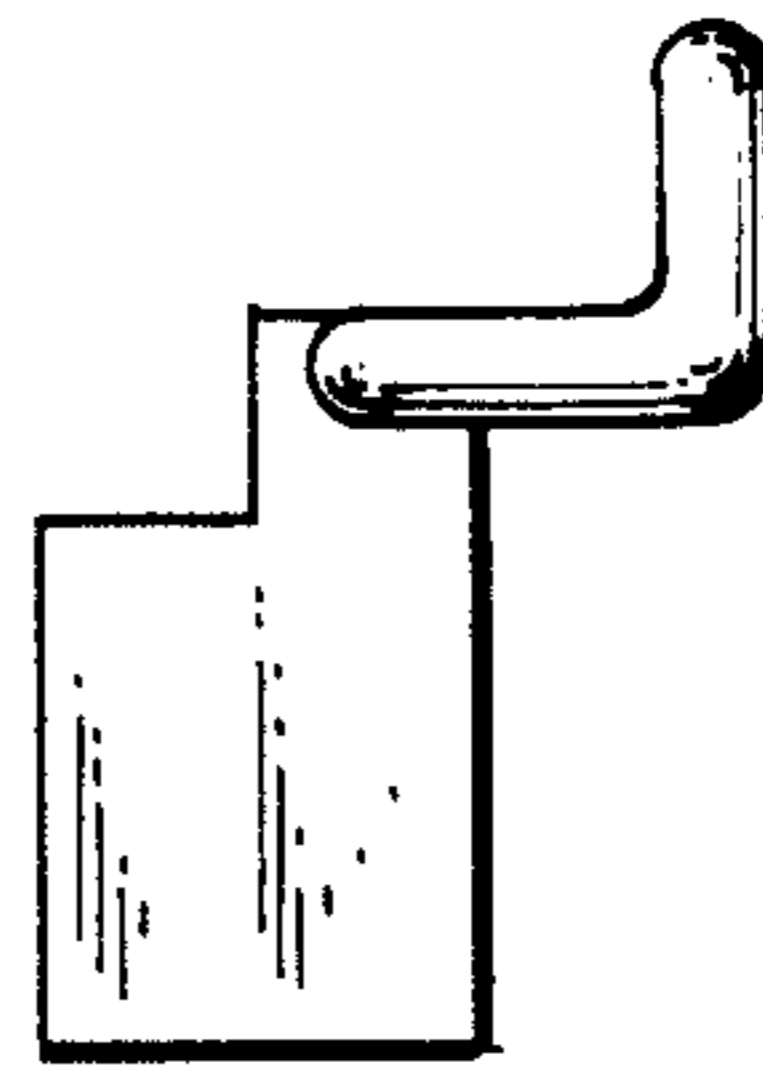


FIG. 4

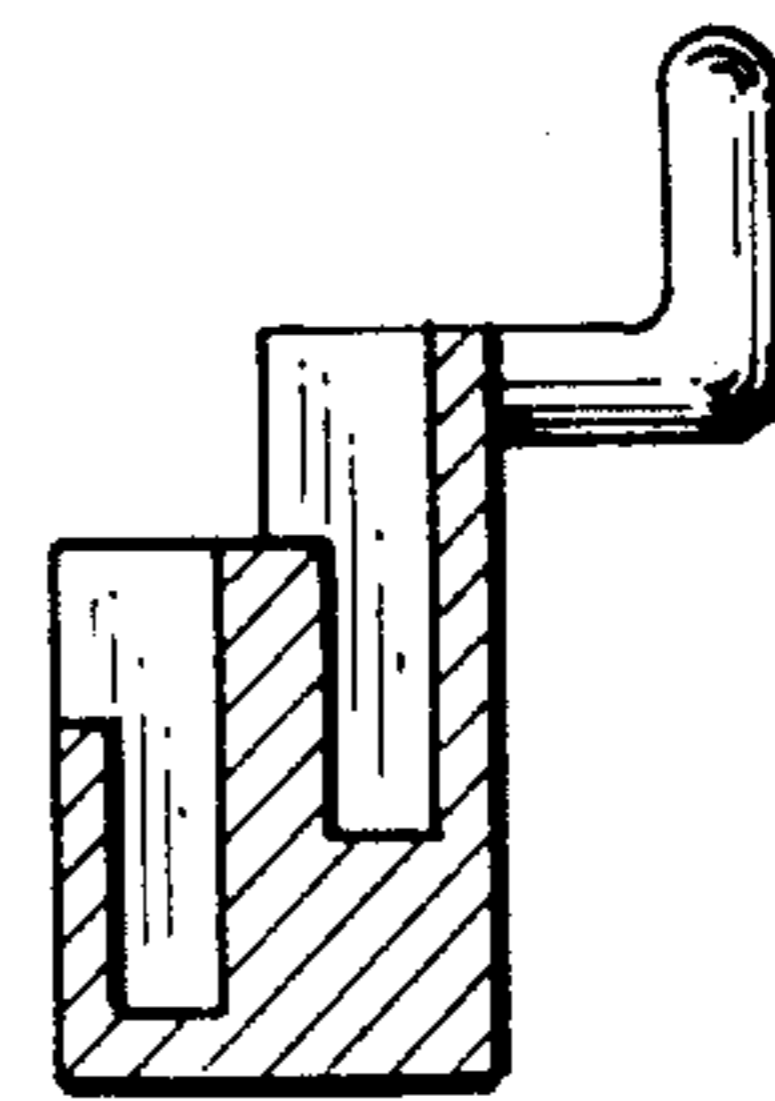


FIG. 5