

[54] **FOOD PROCESSOR ATTACHMENT FOR AN ELECTRIC FOOD MACHINE**

[75] Inventor: **Hartwig Kahlcke**, Bad Soden, Fed. Rep. of Germany

[73] Assignee: **Braun AG**, Frankfurt am Main, Fed. Rep. of Germany

[**] Term: **14 Years**

[21] Appl. No.: **62,856**

[22] Filed: **Jul. 31, 1979**

[30] **Foreign Application Priority Data**

Feb. 6, 1979 [DE] Fed. Rep. of Germany 73 MR 8773

[51] Int. Cl. **D07-04**

[52] U.S. Cl. **D7/160; D7/48; D7/153**

[58] Field of Search D7/153, 154, 155, 156, D7/157, 158, 159, 160, 49, 48; D15/92, 95, 98, 99, 100, 101; 241/282.2, 259.1; 74/16

[56] **References Cited**

U.S. PATENT DOCUMENTS

D. 157,766 3/1950 Levin D15/99

D. 187,323	2/1960	Moore	D7/156
D. 193,260	7/1962	Dewenter	D7/49
D. 194,899	3/1963	Madl	D7/48
3,032,087	5/1962	Rodwick	D7/153 X
3,409,060	11/1968	La Mere	D7/153 X
4,095,751	6/1978	Artin	D7/153 X

OTHER PUBLICATIONS

Supplement to Retailing Home Furnishings, Oct. 24, 1977, "La Machine by Moulinex", Vegetable Chef Attachment far right p. 2.

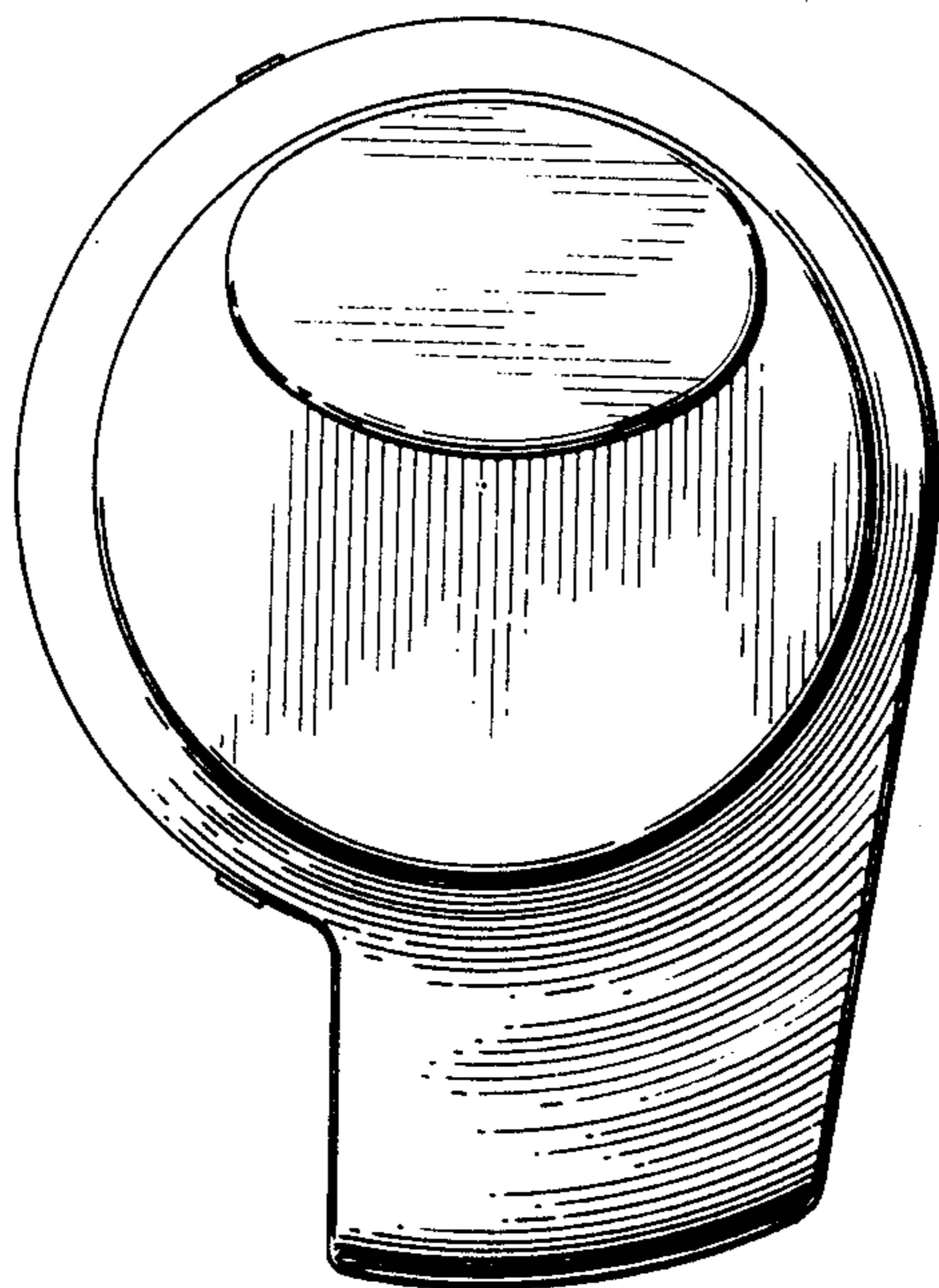
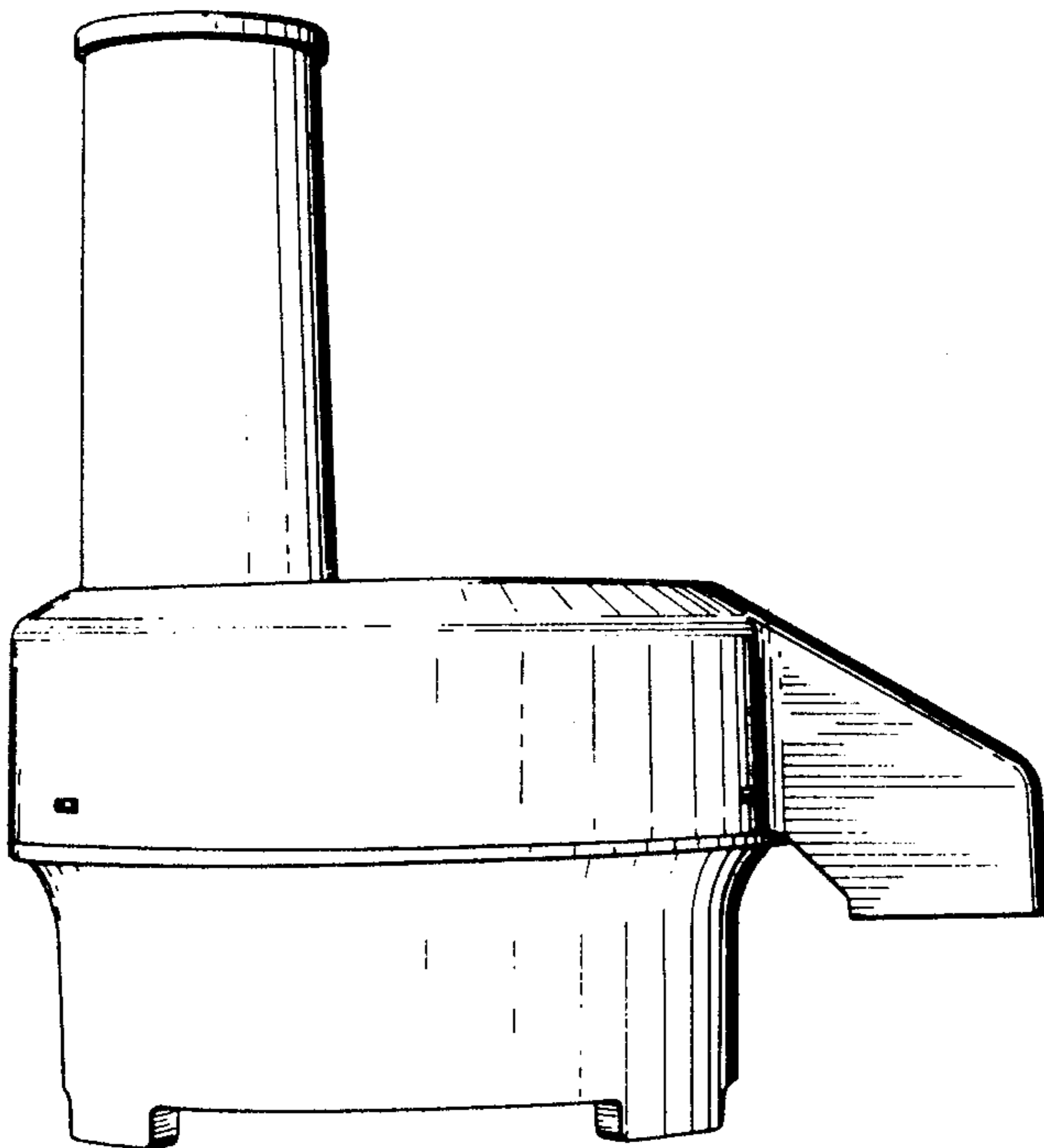
Primary Examiner—Winifred E. Herrmann
Attorney, Agent, or Firm—Sughrue, Rothwell, Mion, Zinn and Macpeak

[57] **CLAIM**

The ornamental design for a food processor attachment for an electric food machine, as shown.

DESCRIPTION

FIG. 1 is a front perspective view of a food processor attachment for an electric food machine showing my new design;
FIG. 2 is a right side perspective view of FIG. 1;
FIG. 3 is a left side perspective view of FIG. 1;
FIG. 4 is a rear perspective view thereof;
FIG. 5 is a top view thereof; and
FIG. 6 is a bottom view thereof.



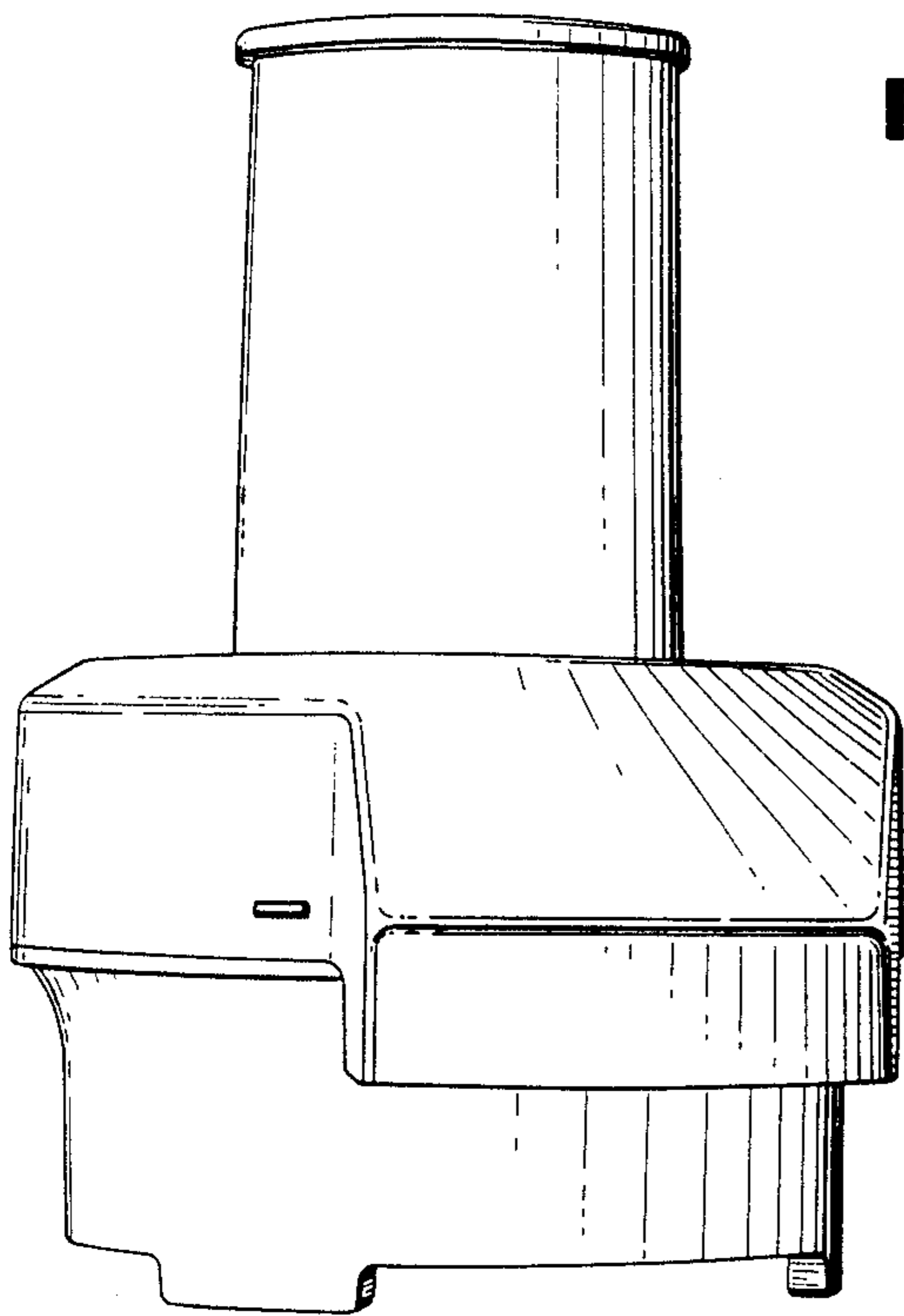


FIG. 1

FIG. 2

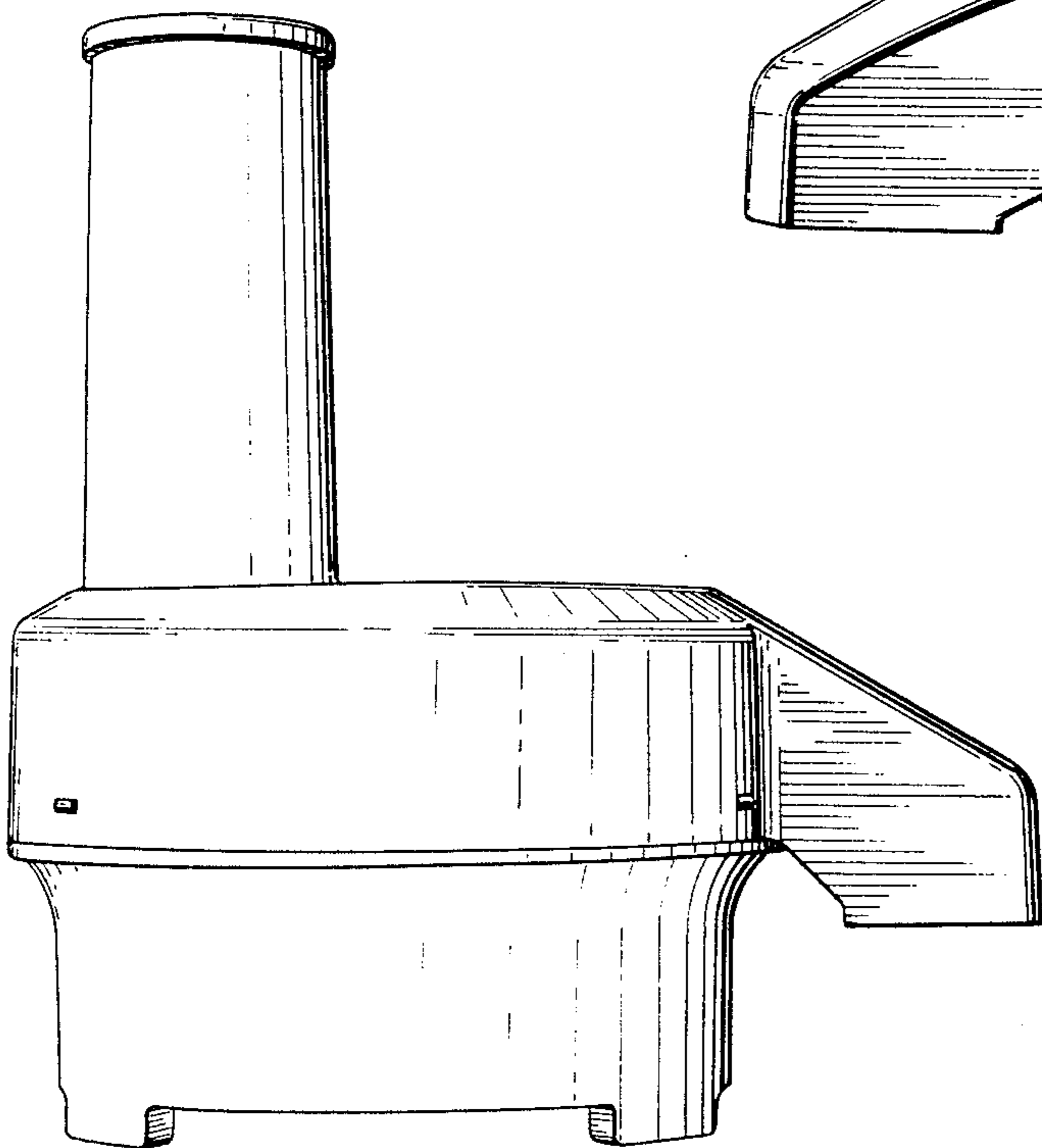
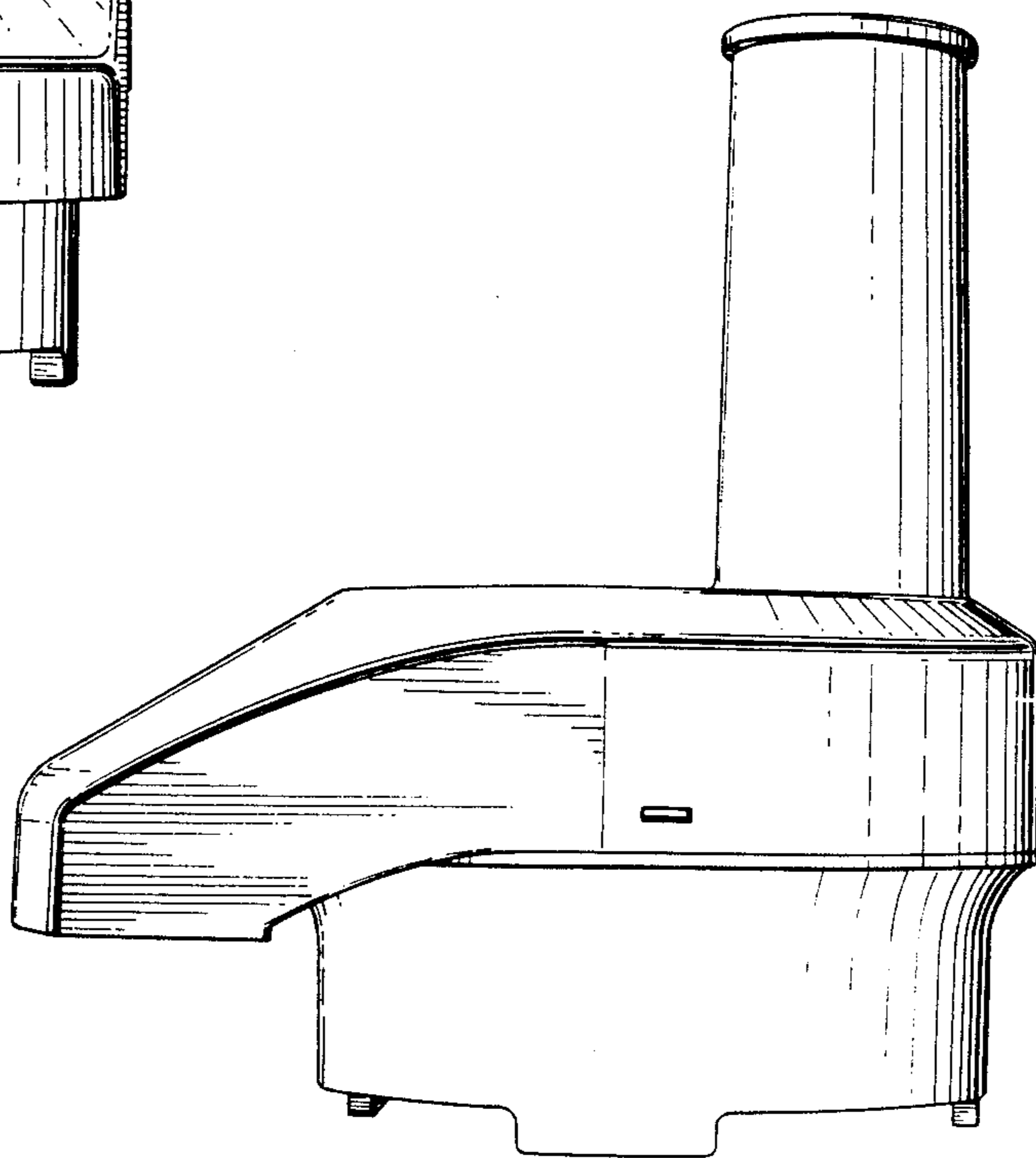


FIG. 3

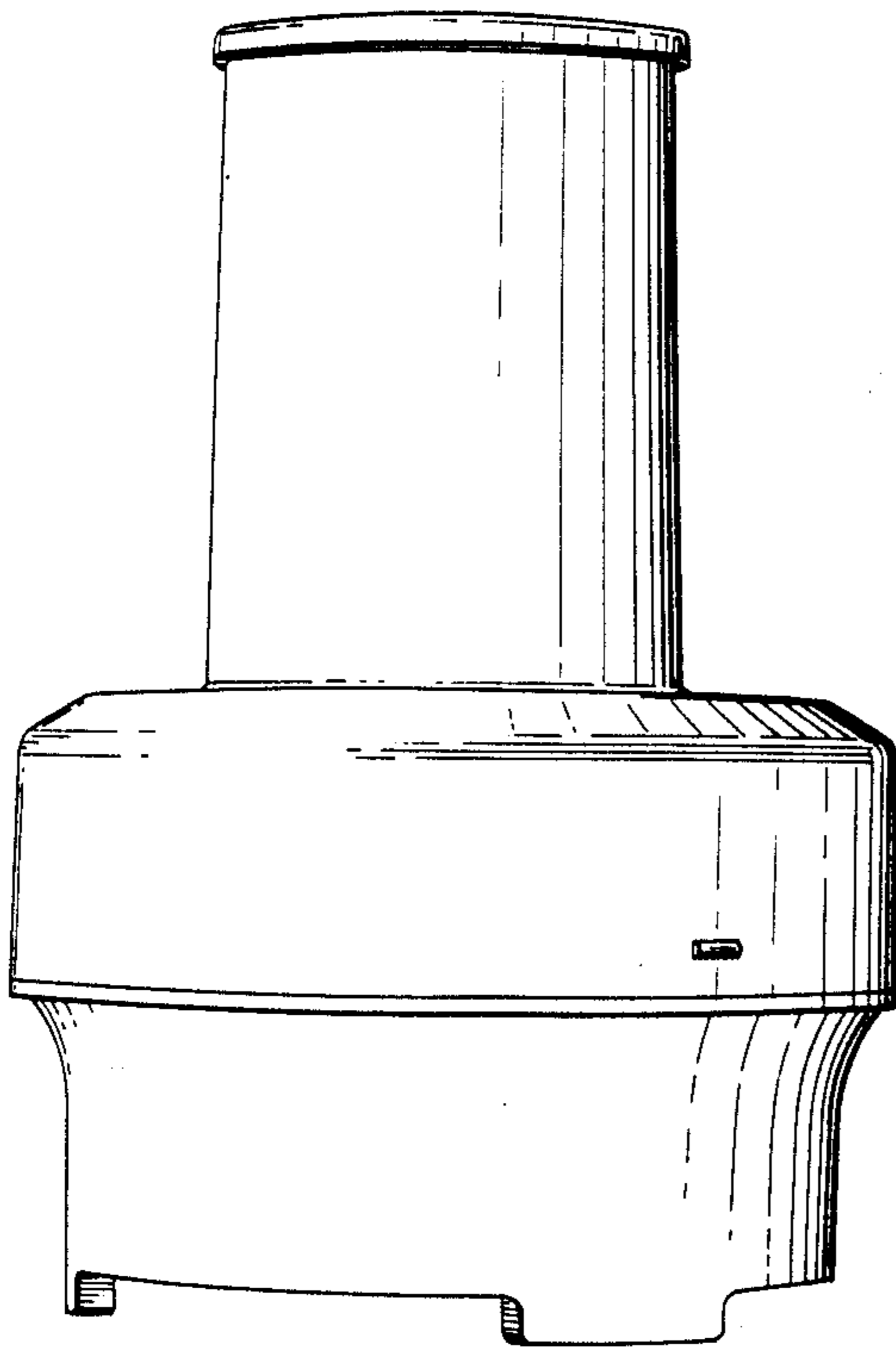


FIG. 4

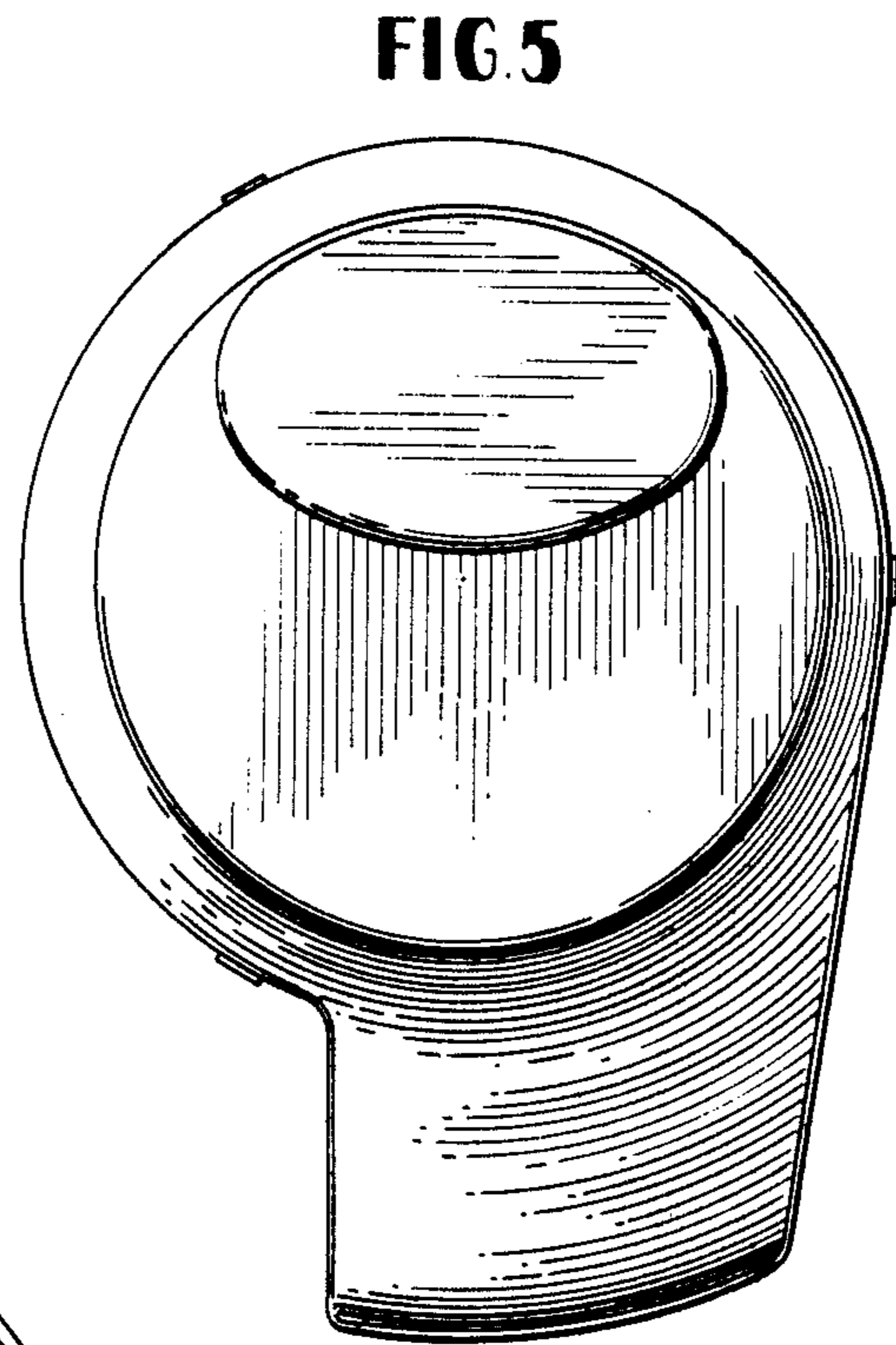


FIG. 5

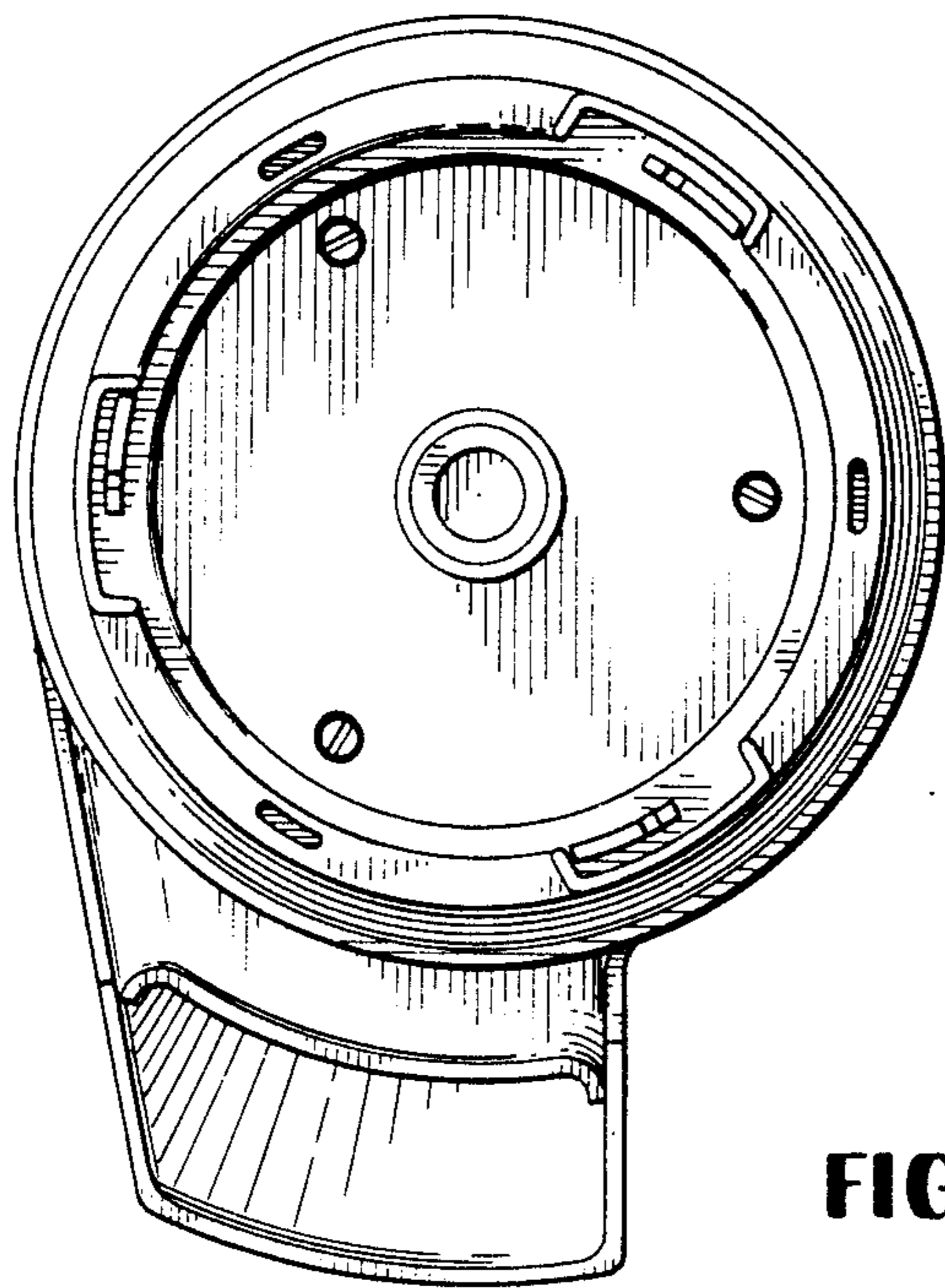


FIG. 6