

[54] PICK-UP DEVICE FOR ANIMAL EXCREMENT

3,929,363 12/1975 Kahan ..... 294/99 R X  
4,148,510 4/1979 Brack et al. .... 294/55 X

[76] Inventor: Alfons Schneider, Laurentiusstrasse  
32, 6635 Schwalbach-Hulzweiler,  
Fed. Rep. of Germany

FOREIGN PATENT DOCUMENTS

2129898 12/1972 Fed. Rep. of Germany ..... 294/1 B  
2801709 7/1979 Fed. Rep. of Germany ..... 294/1 B  
376814 8/1907 France ..... 294/99 R

[\*\*] Term: 14 Years

Primary Examiner—Catherine E. Kemper  
Attorney, Agent, or Firm—Fred Philpitt

[21] Appl. No.: 730

[57] CLAIM

[22] Filed: Jan. 3, 1979

The ornamental design for a pick-up device for animal excrement, as shown and described.

[51] Int. Cl. .... D30-99

[52] U.S. Cl. .... D30/99

[58] Field of Search ..... D30/99; D7/104, 105;  
294/1 B, 49, 55, 16, 99 R, 106; 15/257.1

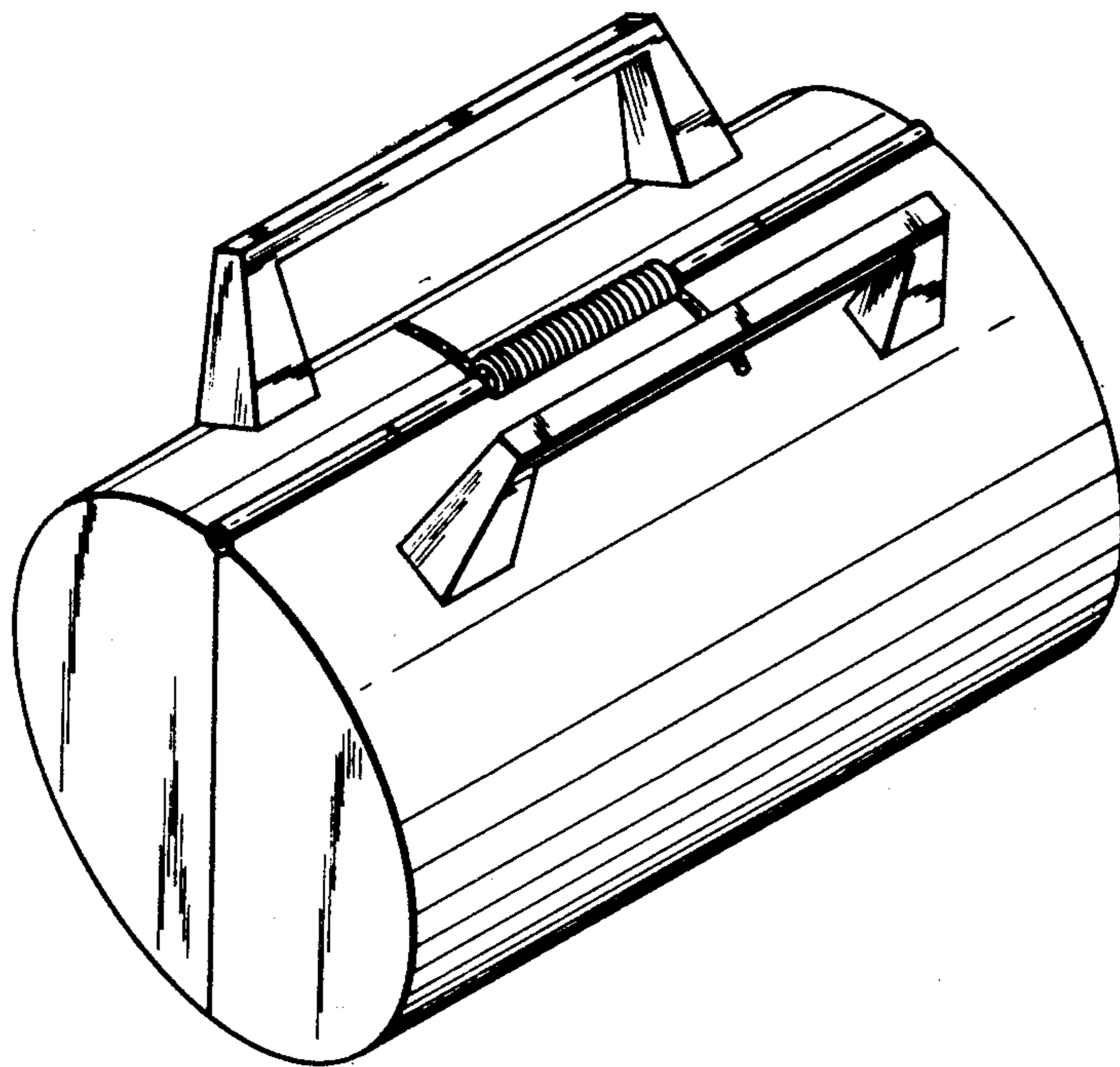
DESCRIPTION

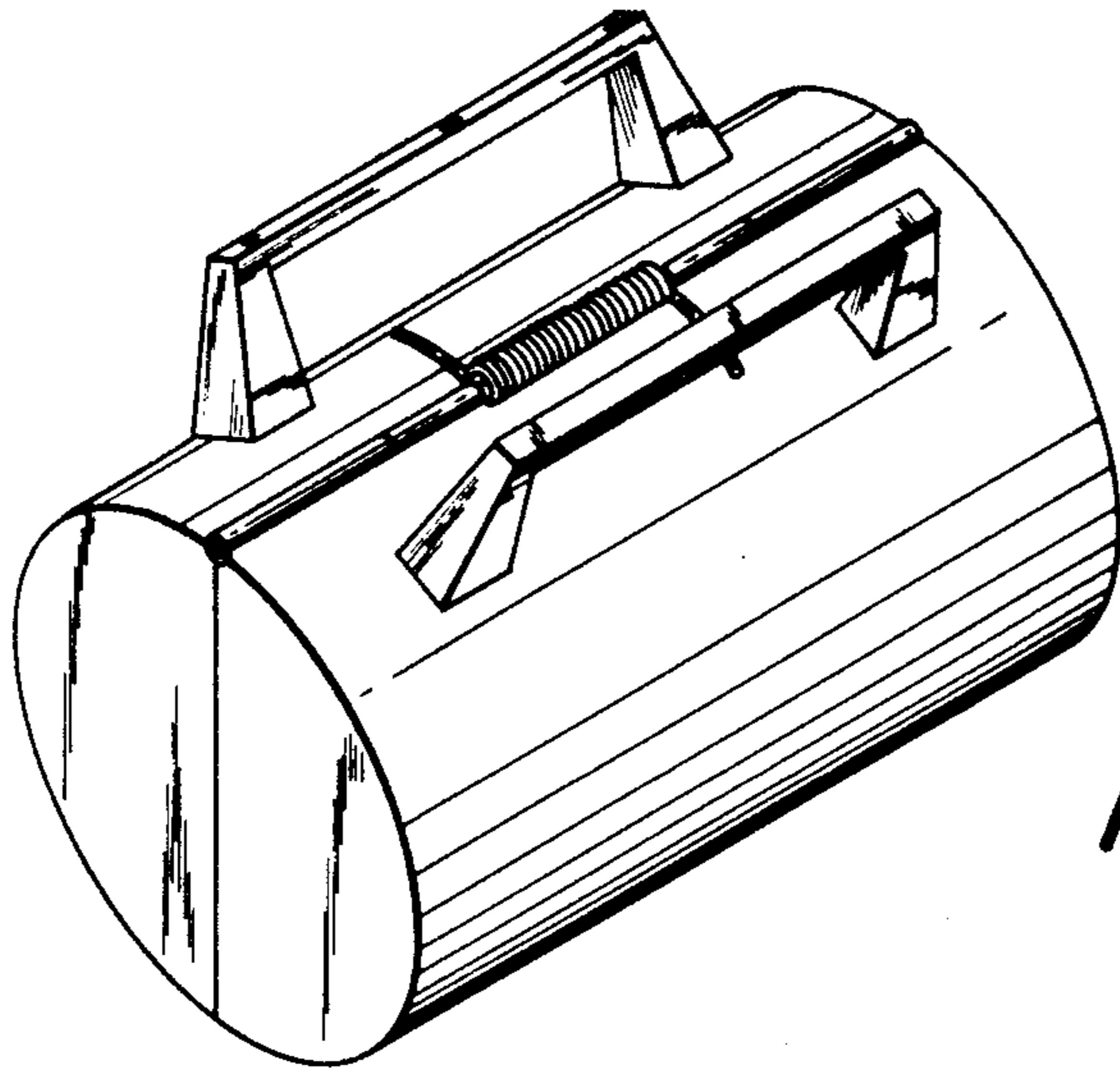
[56] References Cited

U.S. PATENT DOCUMENTS

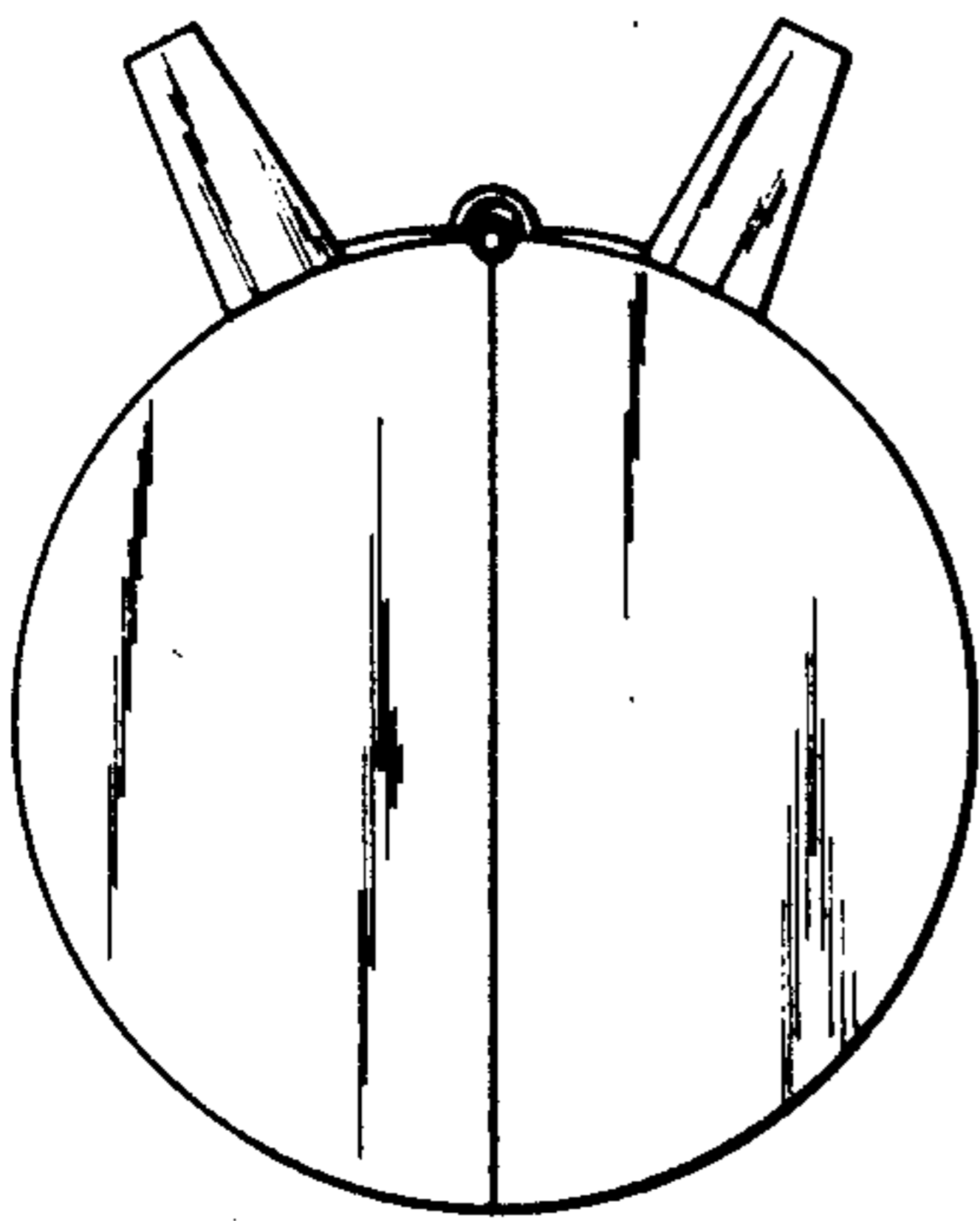
FIG. 1 is a perspective view of a pick-up device for animal excrement, showing my new design;  
FIG. 2 is an end elevational view thereof;  
FIG. 3 is a side elevational view thereof;  
FIG. 4 is a bottom plan view thereof.

3,841,684 10/1974 Fleishman ..... 294/16 X

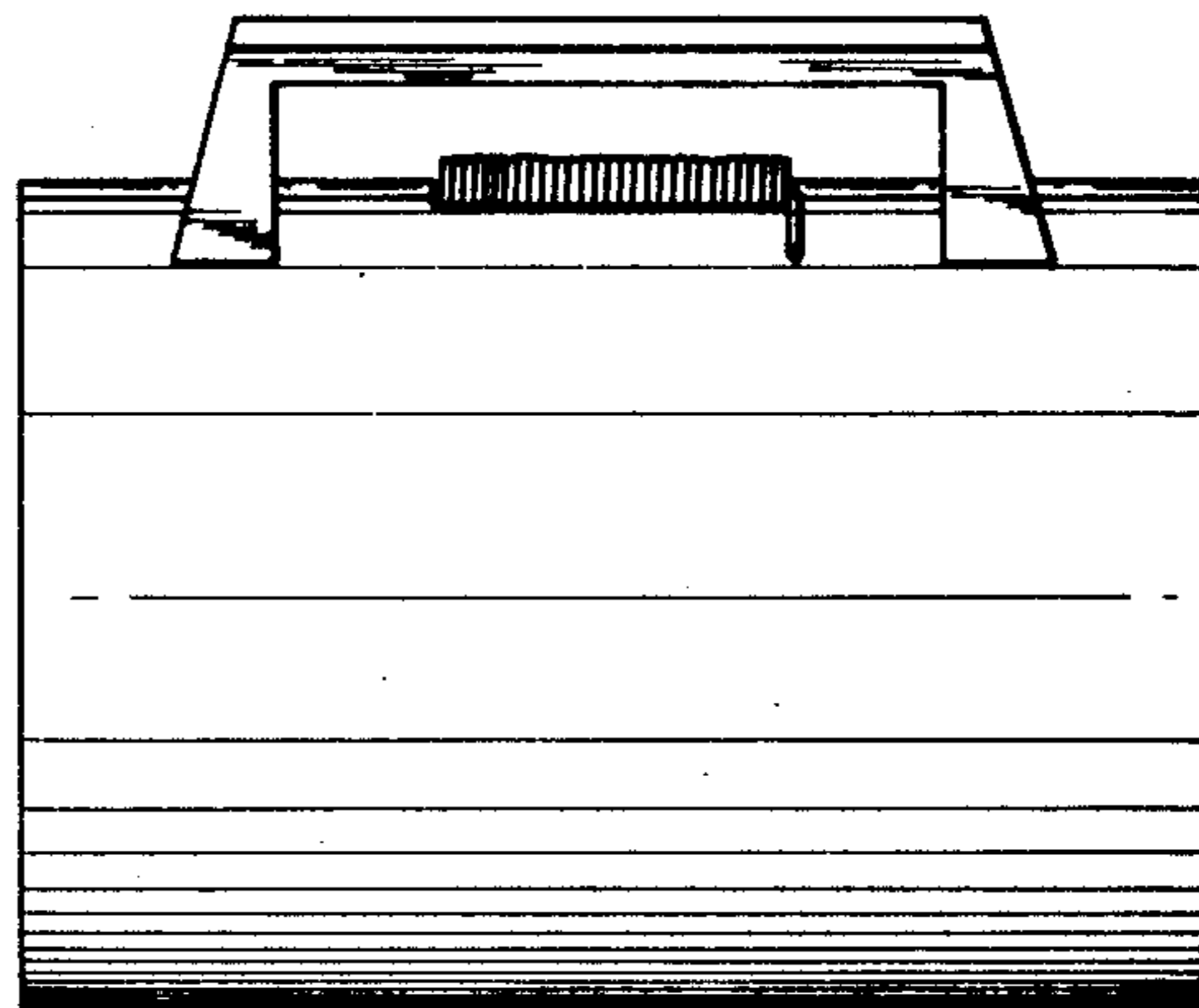




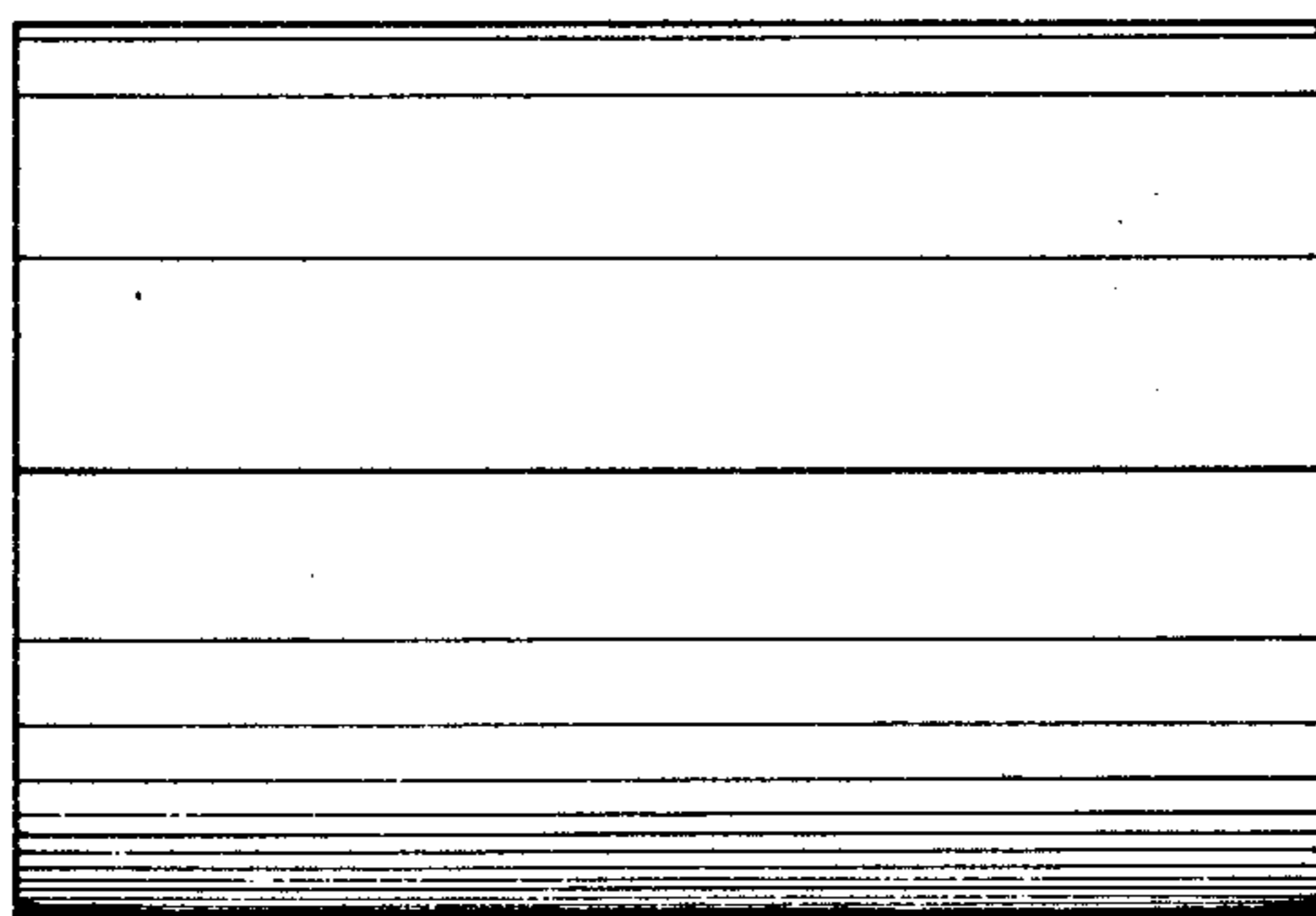
**FIG. 1**



**FIG. 2**



**FIG. 3**



**FIG. 4**