

[54] FEED BUCKET HOLDER

[76] Inventor: Travis F. Ramsey, Rte. 1, Box 200,
Quitman, Tex. 75783

[**] Term: 14 Years

[21] Appl. No.: 9,661

[22] Filed: Feb. 5, 1979

[51] Int. Cl. D30-02

[52] U.S. Cl. D30/13; D6/93;
D6/114; D6/137

[58] Field of Search D30/1-18;
D6/93, 114, 137; 119/61; 211/71, 74, 87, 181;
248/311.2

[56] References Cited

U.S. PATENT DOCUMENTS

198,846	1/1878	Hendryx	119/18
D. 217,472	5/1970	Lovitz	D30/13
D. 231,296	4/1974	Morris et al.	D6/137
D. 252,439	7/1979	Smith	D6/137 X
1,191,184	7/1916	Hooper	119/61
1,228,098	5/1917	Cole	248/311.2 X
2,320,828	6/1943	Murphy	119/61 X

3,462,109	8/1969	Forbes	248/311.2 X
3,490,726	1/1970	Mills	248/313
3,942,752	3/1976	Shaw	248/311.2
4,011,951	3/1977	Boyer	119/61 X

FOREIGN PATENT DOCUMENTS

695990 8/1953 Canada 119/61

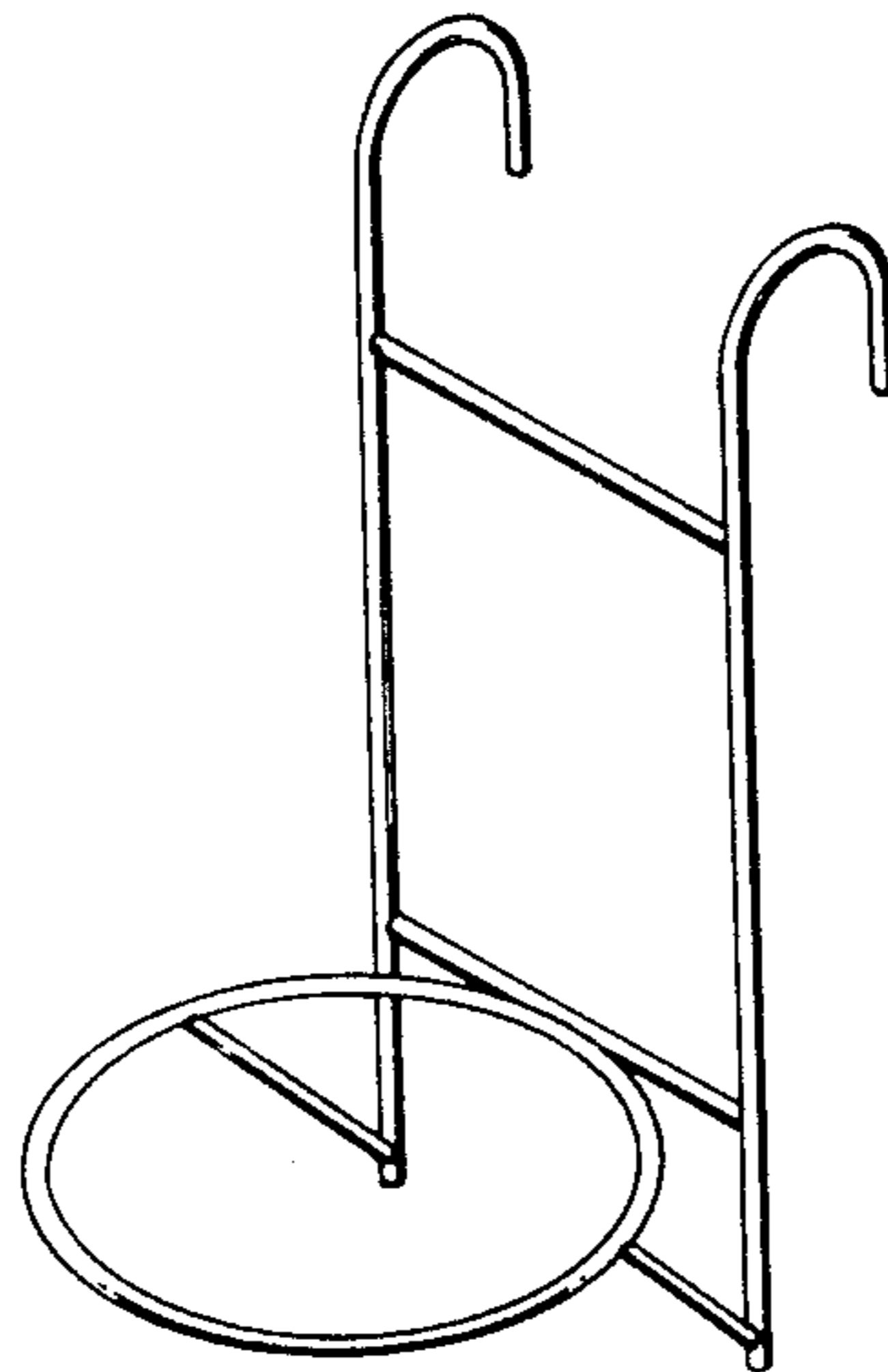
Primary Examiner—James R. Largen
Attorney, Agent, or Firm—H. Mathews Garland

[57] CLAIM

The ornamental design for a feed bucket holder, as shown and described.

DESCRIPTION

FIG. 1 is a front elevational view of a feed bucket holder showing my new design;
FIG. 2 is a right side elevational view thereof;
FIG. 3 is a rear elevational view thereof;
FIG. 4 is a left side elevational view thereof;
FIG. 5 is a top plan view thereof;
FIG. 6 is a bottom plan view thereof; and
FIG. 7 is a perspective view of my new design.
The broken line representation of a feed bucket in FIGS. 2 and 4 is for purposes of illustration only.



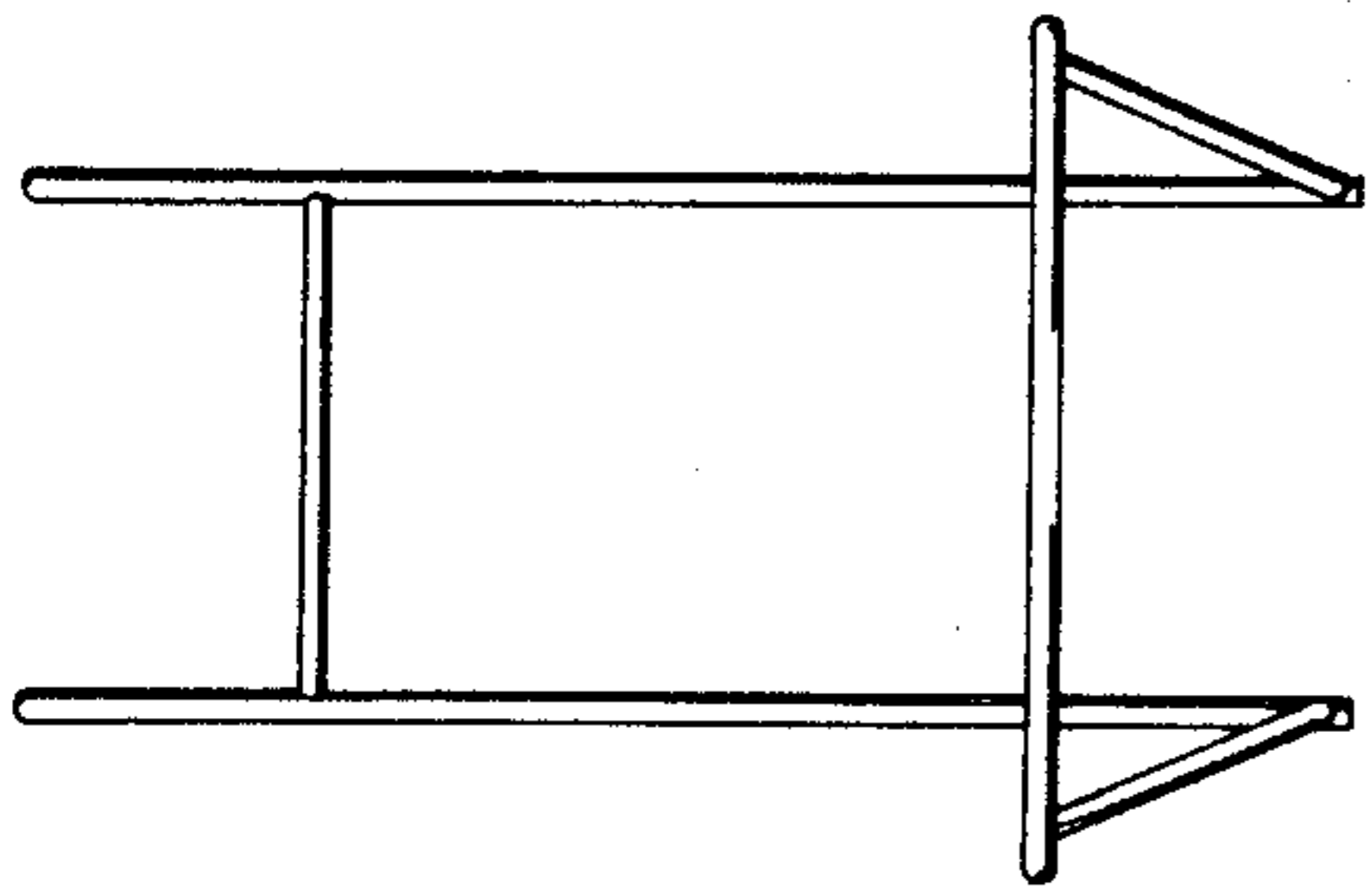


Fig. 1

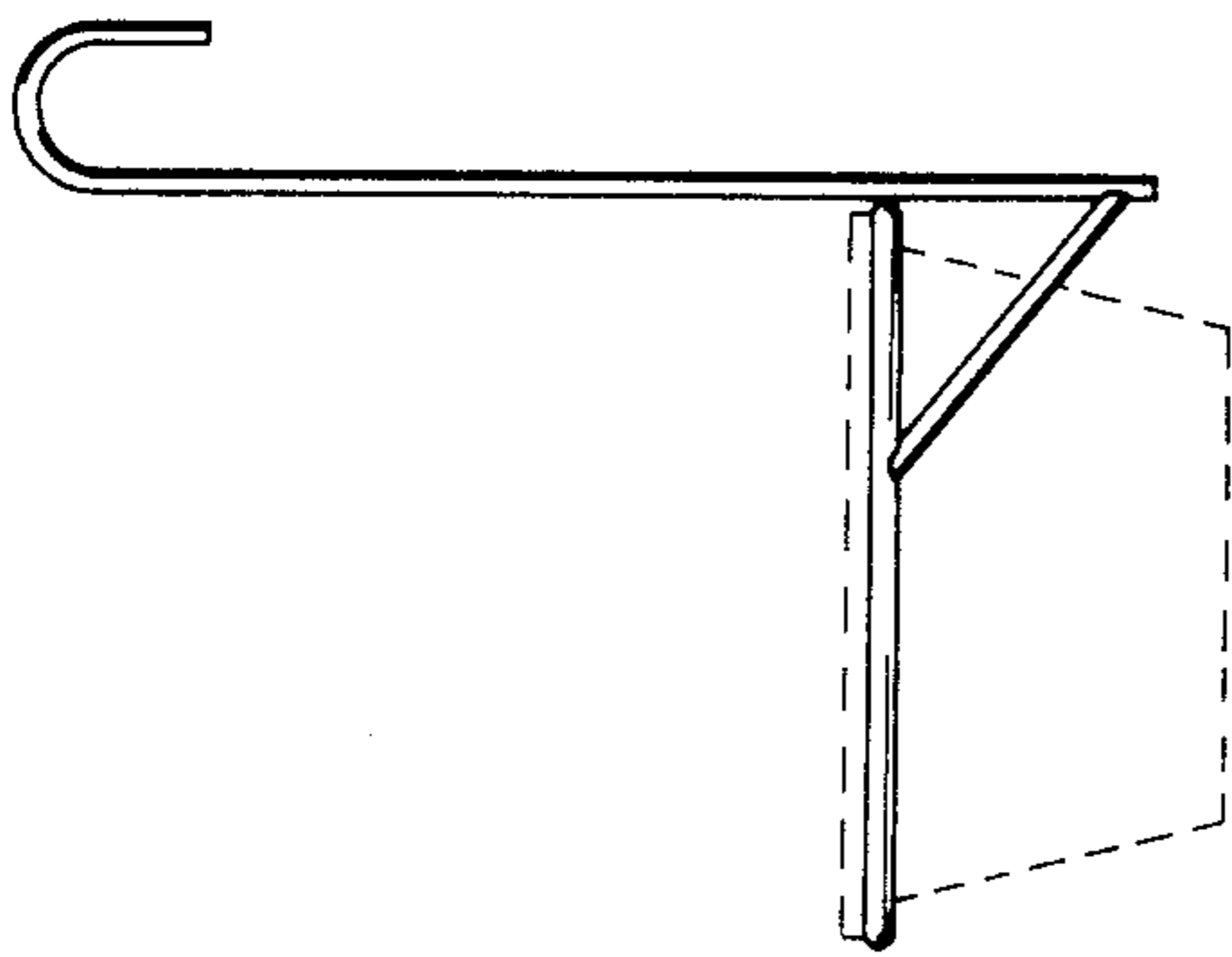


Fig. 2

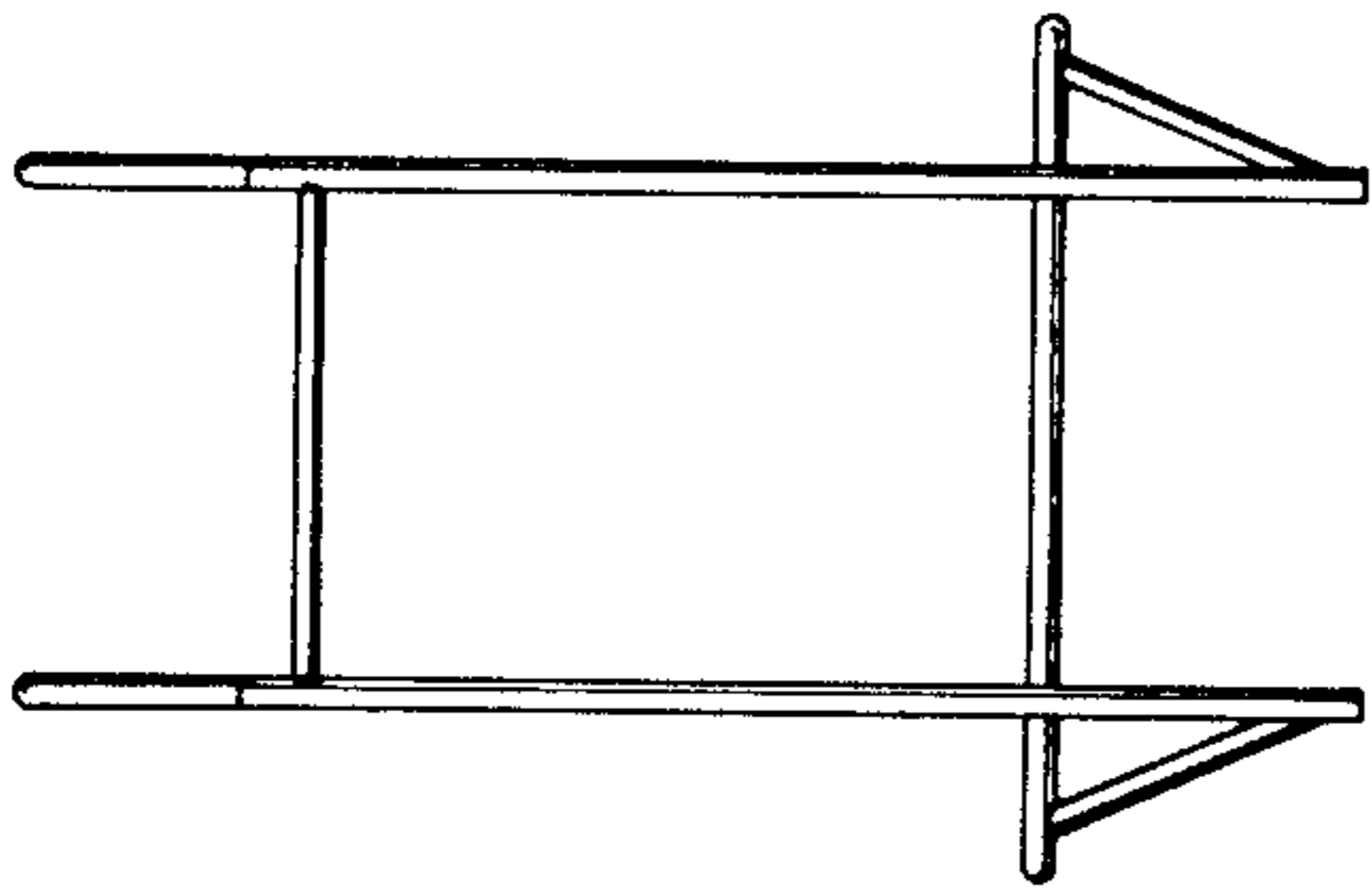


Fig. 3

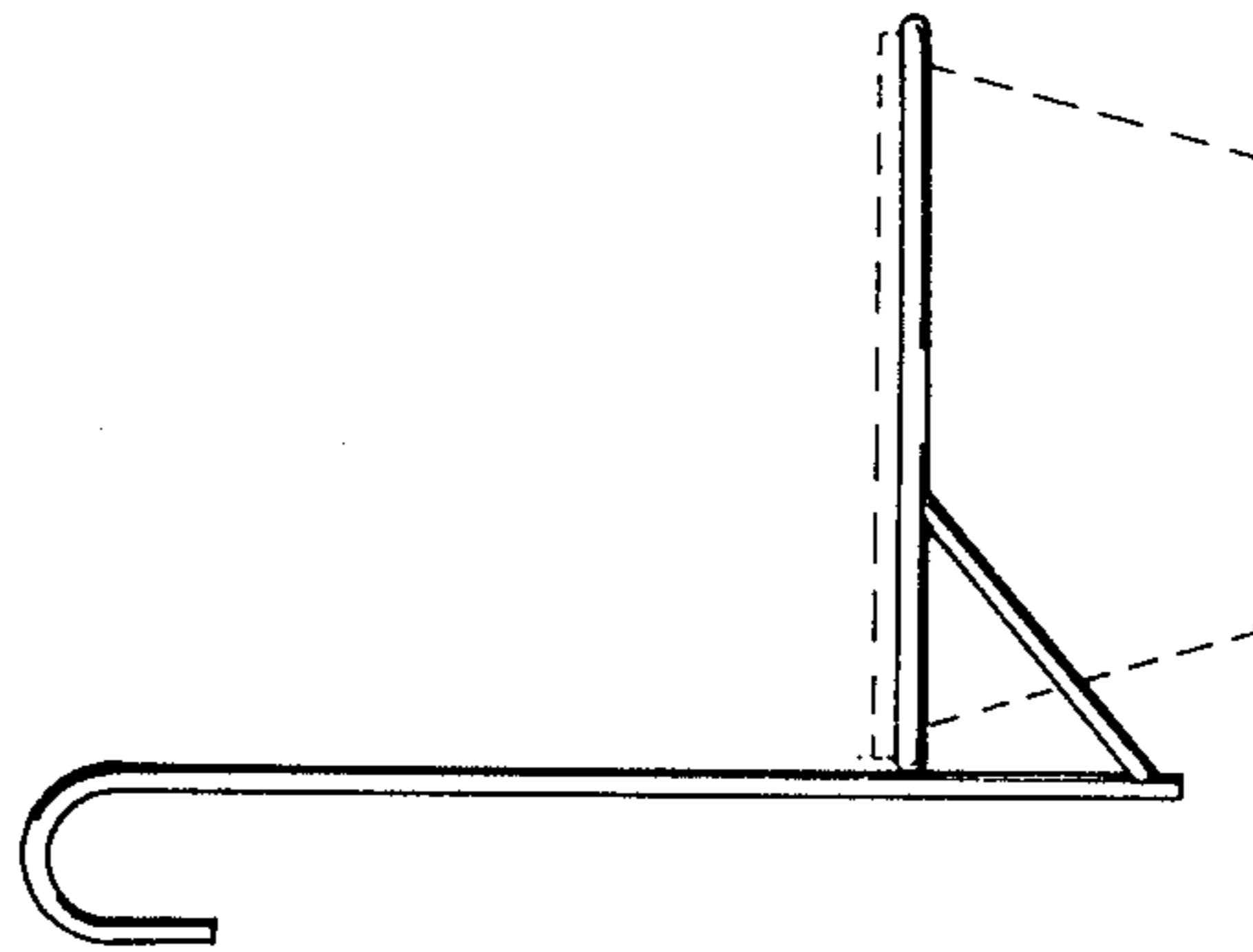


Fig. 4

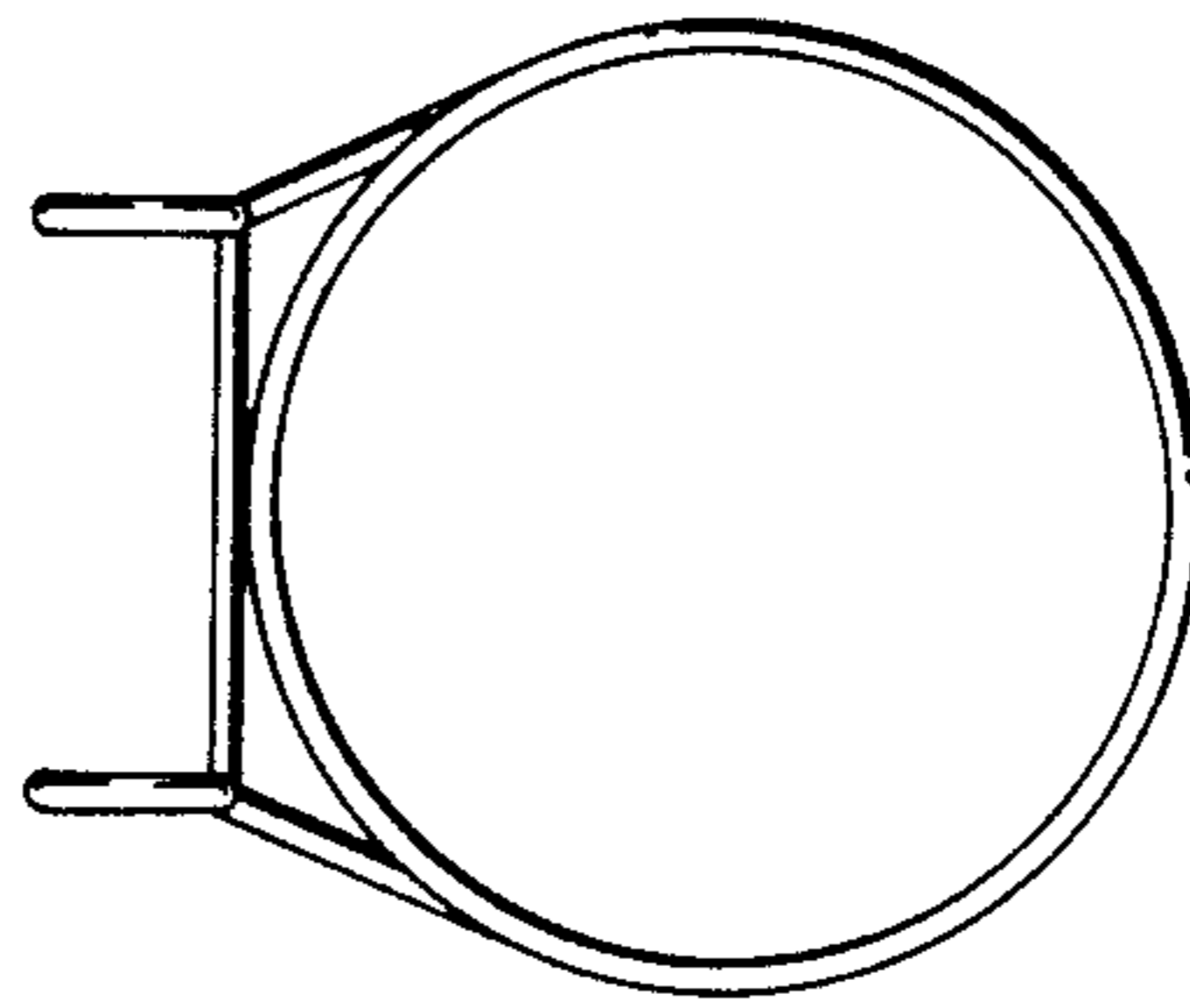


Fig. 5

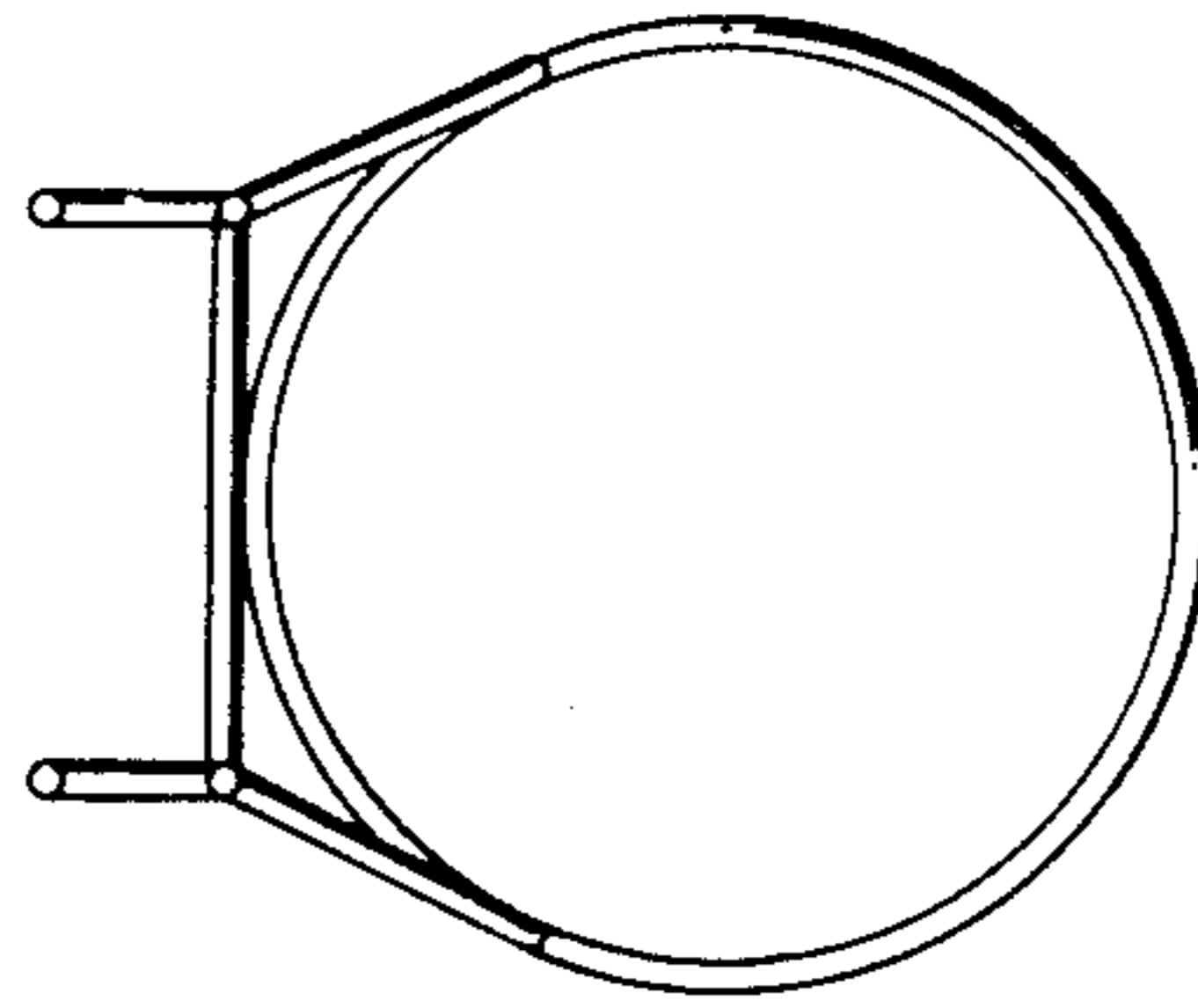


Fig. 6

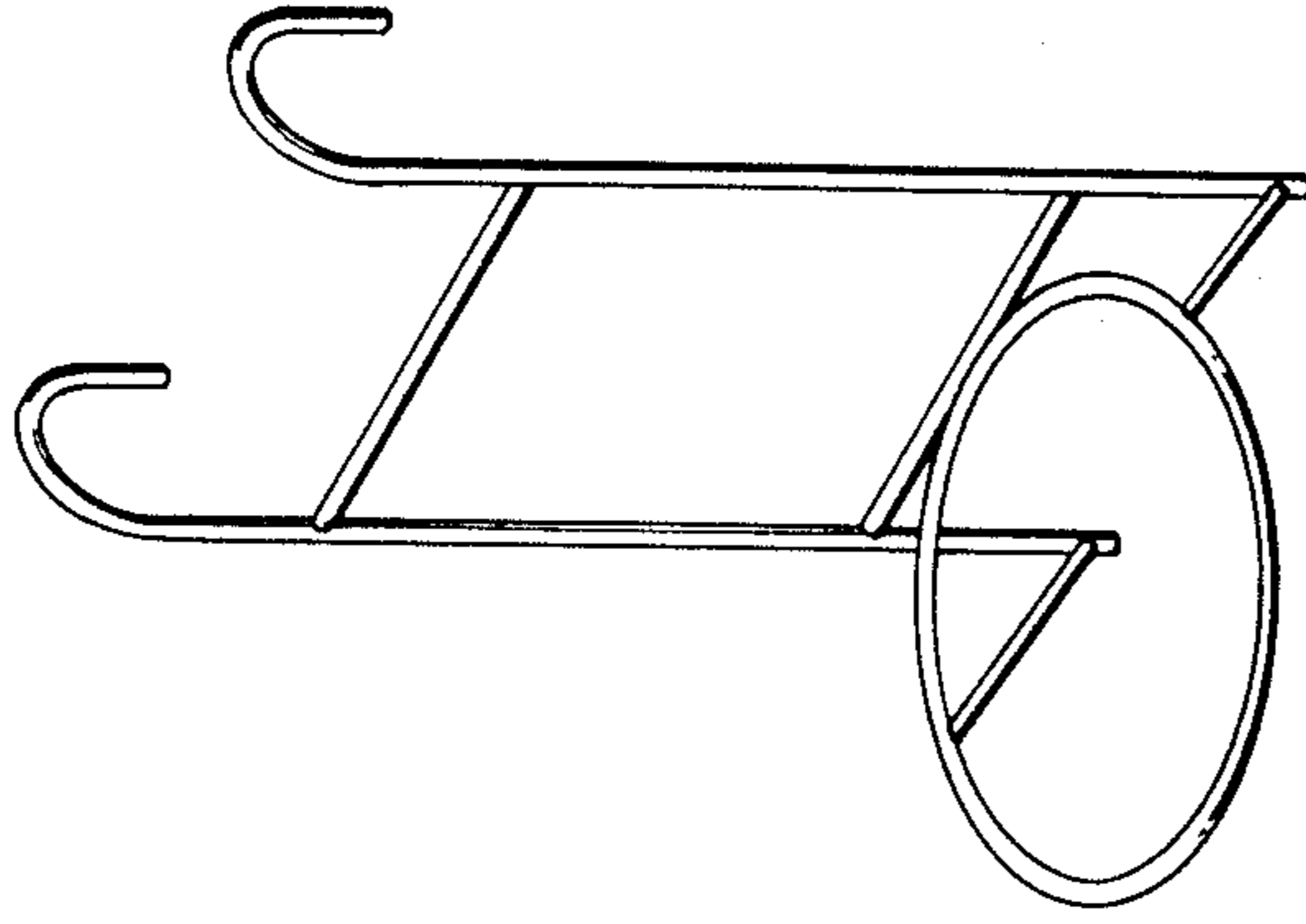


Fig. 7