

[54] FLASHLIGHT HEAD

[76] Inventor: **Knut O. Sassmannshausen**,  
 Rothenbach St., D 6580  
 Idar-Oberstein, Fed. Rep. of  
 Germany

[\*\*] Term: **14 Years**

[21] Appl. No.: **917,012**

[22] Filed: **Jun. 16, 1978**

[51] Int. Cl. .... **D26-02**

[52] U.S. Cl. .... **D26/37**

[58] Field of Search ..... **D48/24 R, 24 A, 16 D;**  
 362/157, 158, 169, 183-191, 194-197, 200-208,  
 217, 222, 223, 226, 303, 309, 337, 339, 348-350,  
 336, 341, 347; **D26/37-50**

[56] **References Cited**

**U.S. PATENT DOCUMENTS**

D. 126,576	4/1941	Deibel .....	D48/24 A
1,915,842	6/1933	Winkler .....	362/348
1,937,651	12/1933	Graubner .....	362/205
2,916,611	12/1959	Odle .....	362/311
2,949,530	8/1960	Hagen et al. ....	362/194
2,953,675	9/1960	Kluge .....	D48/24 A
3,638,836	2/1972	Vickers .....	362/202
3,665,178	5/1972	Sussingham et al. ....	362/189
3,924,117	12/1975	Brindley .....	362/191

**FOREIGN PATENT DOCUMENTS**

987362	4/1951	France .....	362/157
1165874	10/1969	United Kingdom .....	362/157

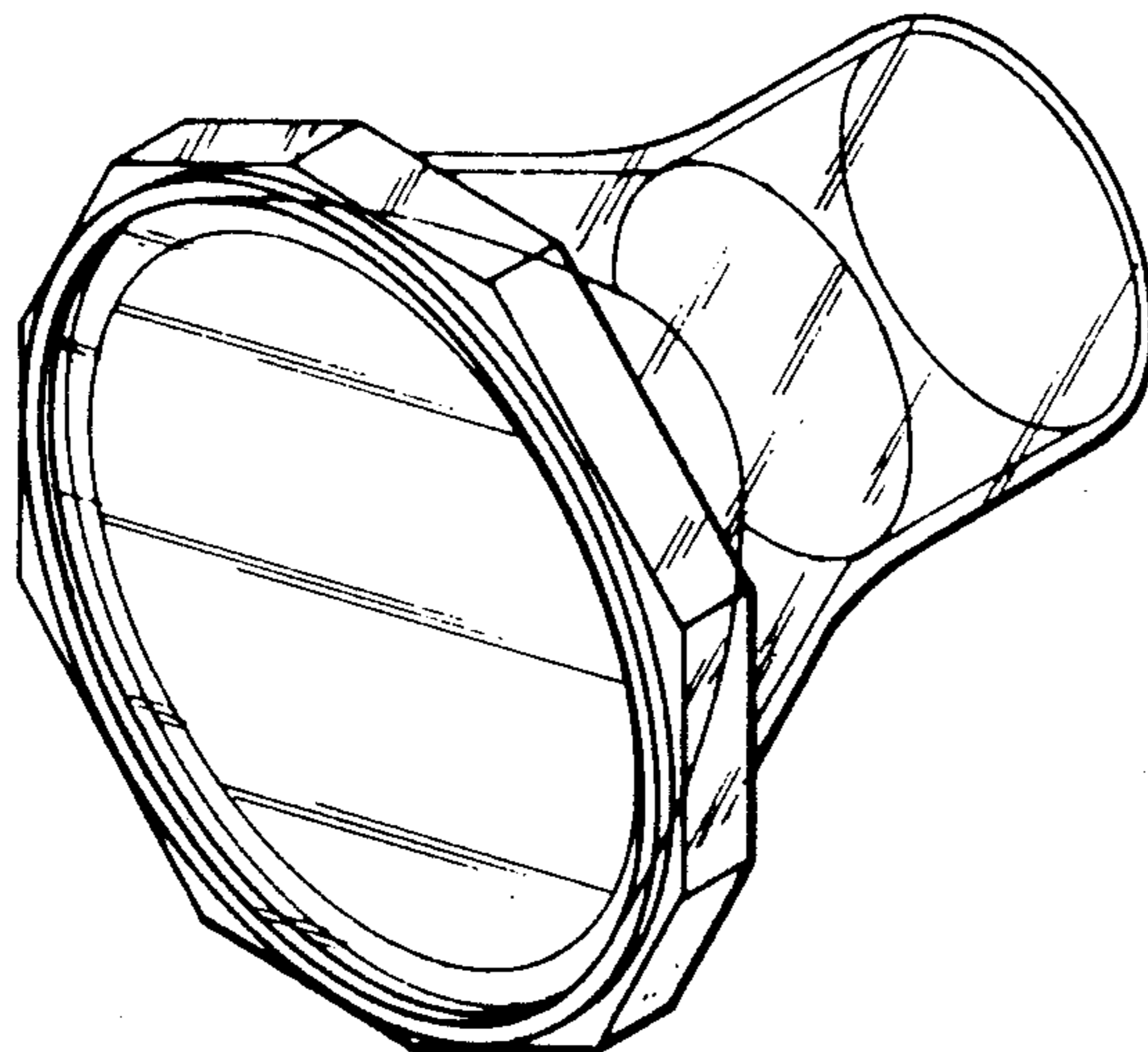
*Primary Examiner—Peter Feldman*  
*Attorney, Agent, or Firm—Herbert L. Lerner*

[57] **CLAIM**

The ornamental design for a flashlight head, substantially as shown and described.

**DESCRIPTION**

FIG. 1 is a perspective view of a flashlight head showing my new design;  
 FIG. 2 is a side elevational view thereof, the opposite side being a mirror image of the side shown;  
 FIG. 3 is a front elevational view thereof;  
 FIG. 4 is a rear elevational view thereof;  
 FIG. 5 is a perspective view of a second embodiment thereof;  
 FIG. 6 is a side elevational view thereof, the opposite side being a mirror image of the side shown;  
 FIG. 7 is a front elevational view thereof;  
 FIG. 8 is a rear elevational view thereof;  
 FIG. 9 is a perspective view of a third embodiment thereof;  
 FIG. 10 is a side elevational view thereof, the opposite side being a mirror image of the side shown;  
 FIG. 11 is a front elevational view thereof;  
 FIG. 12 is a rear elevational view thereof;  
 FIG. 13 is a perspective view of a fourth embodiment thereof;  
 FIG. 14 is a side elevational view, the opposite side being a mirror image of the side shown;  
 FIG. 15 is a front elevational view thereof; and  
 FIG. 16 is a rear elevational view thereof.



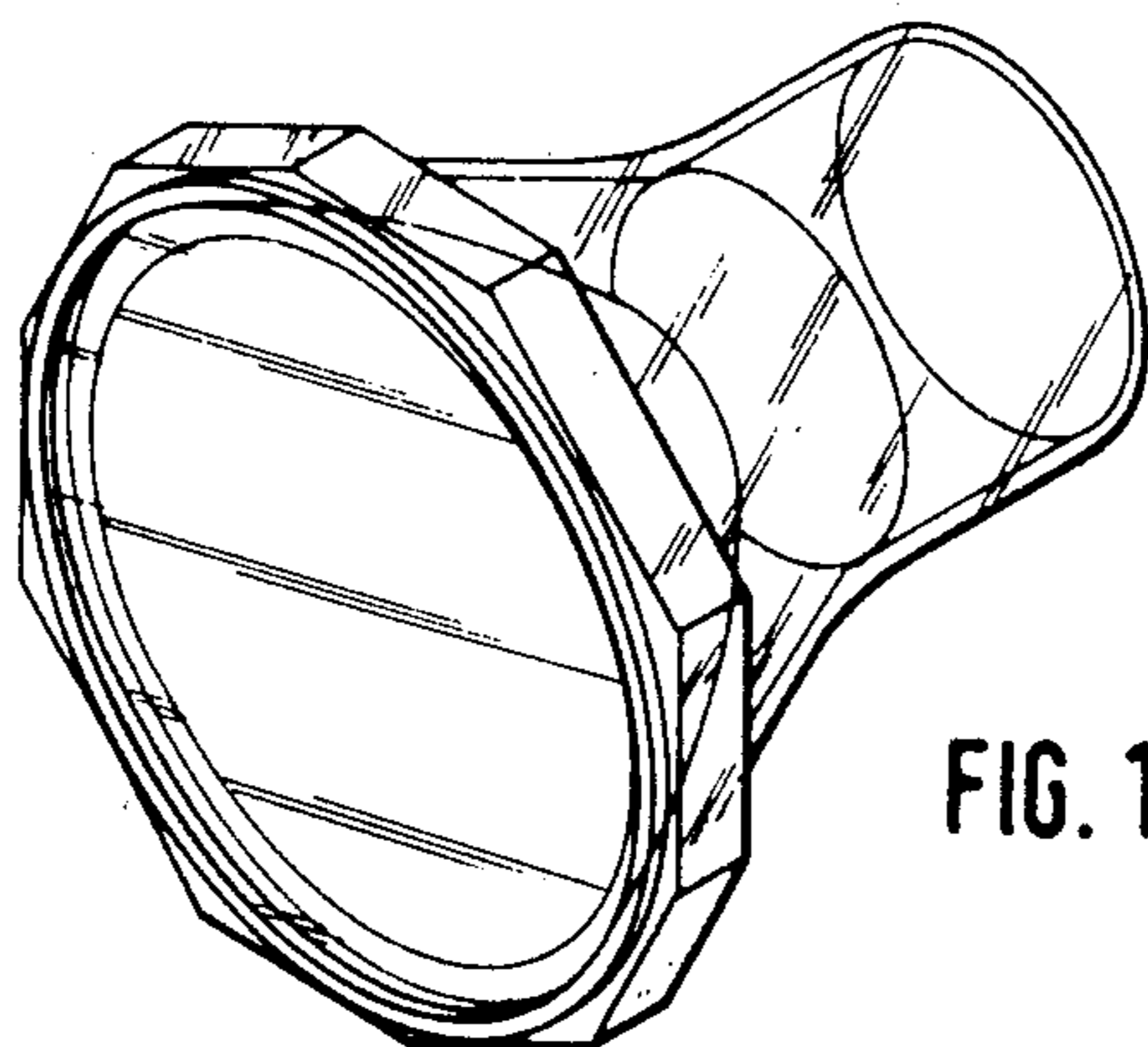


FIG. 1

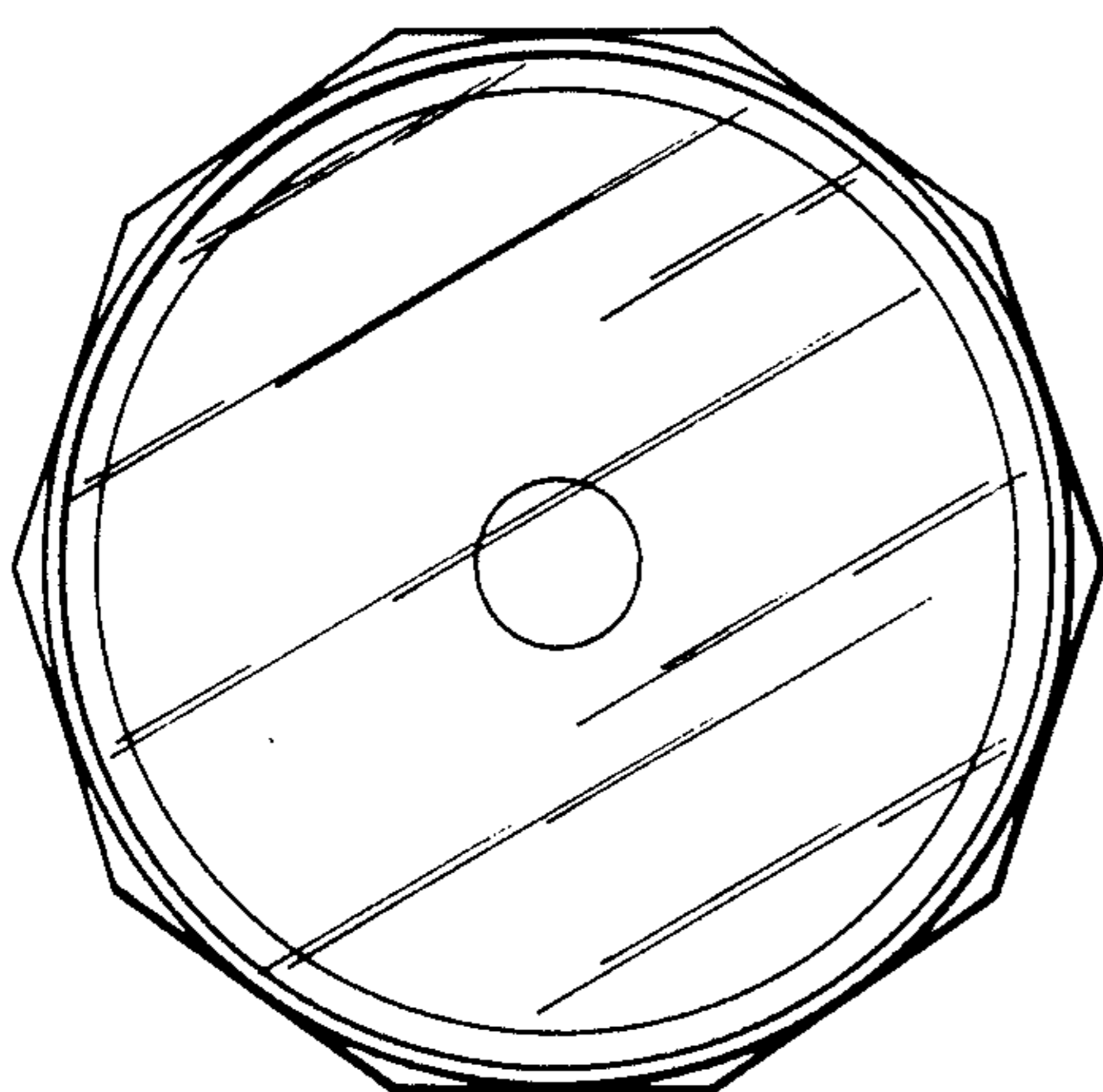


FIG. 3

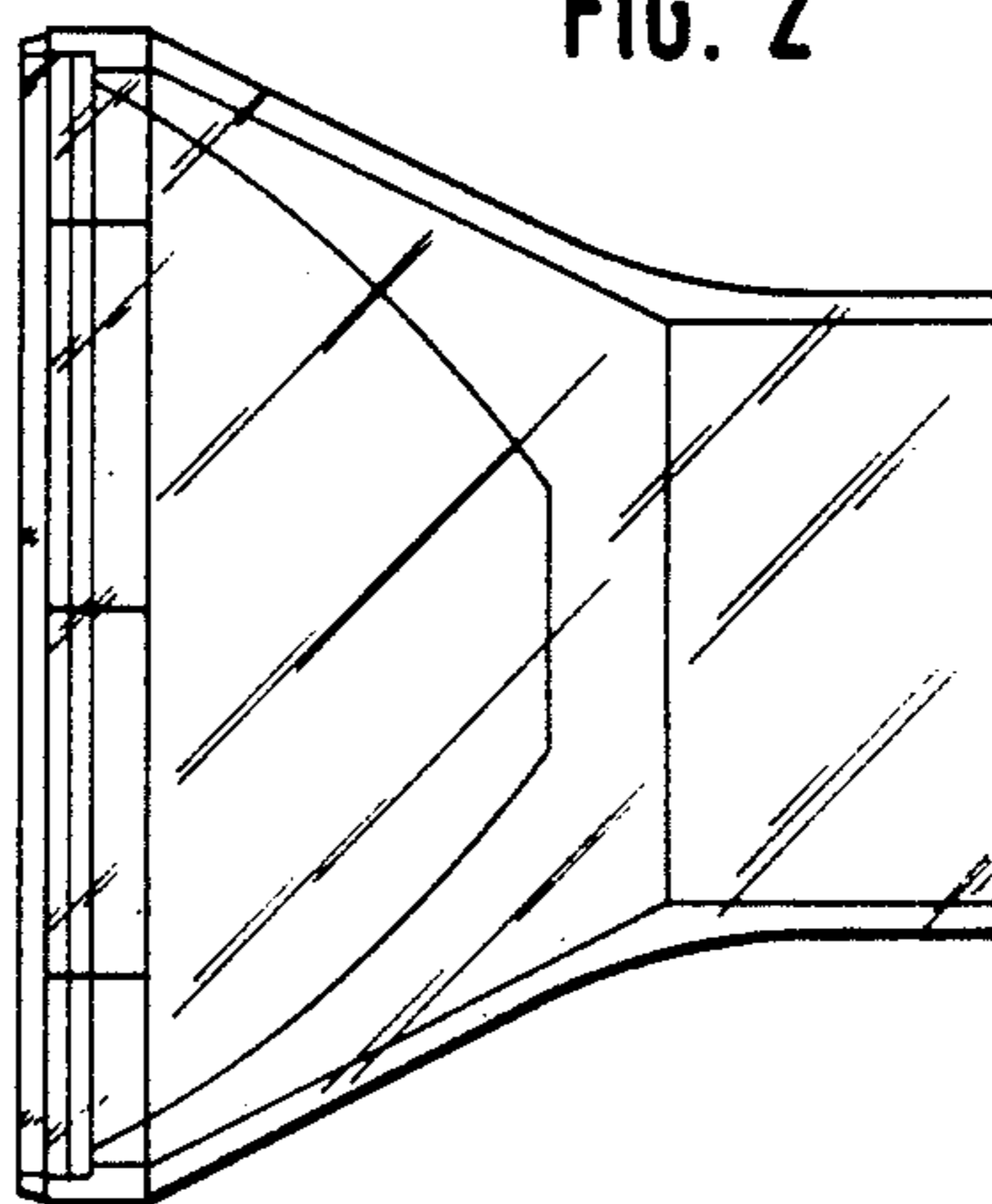


FIG. 2

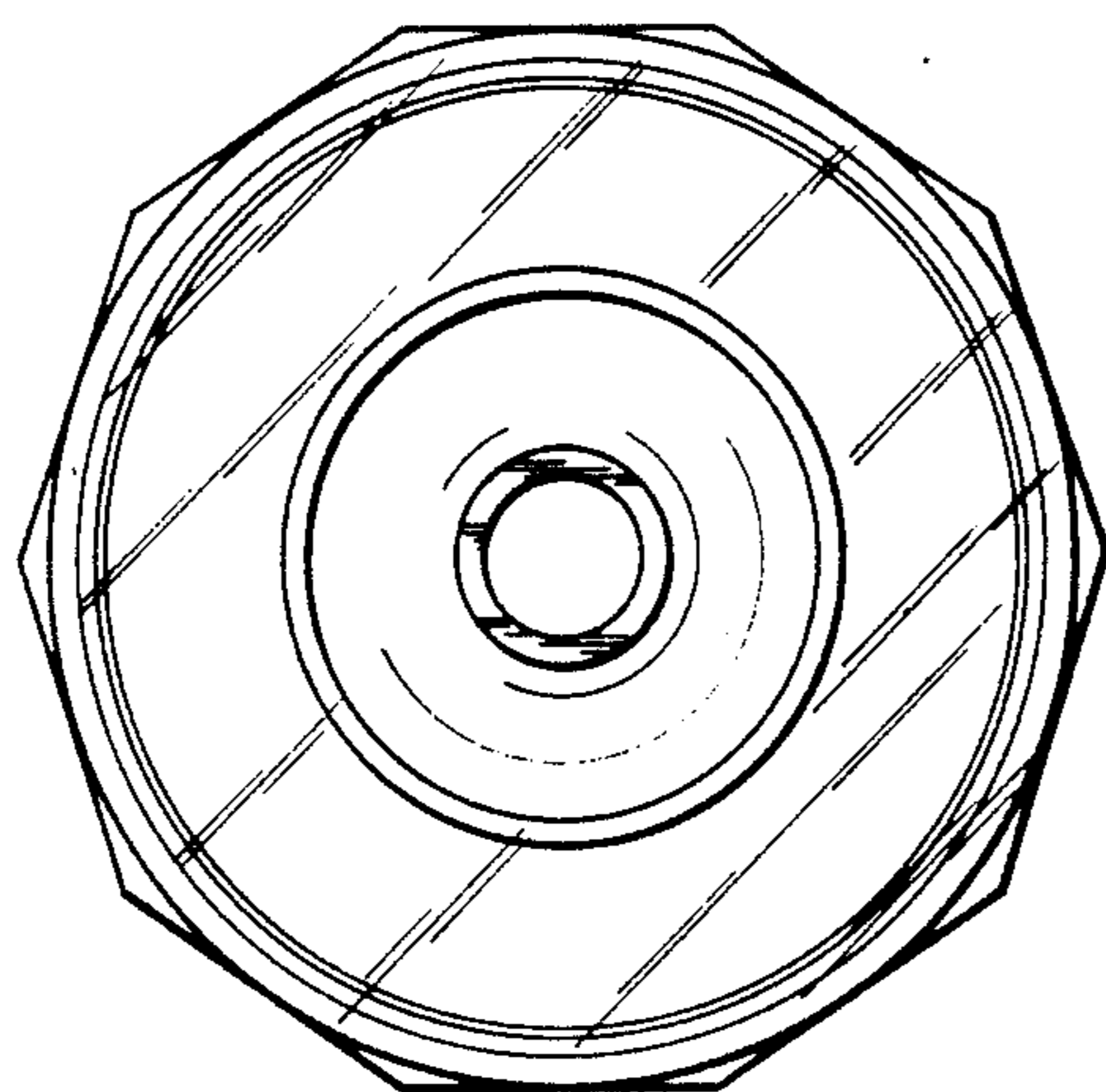


FIG. 4

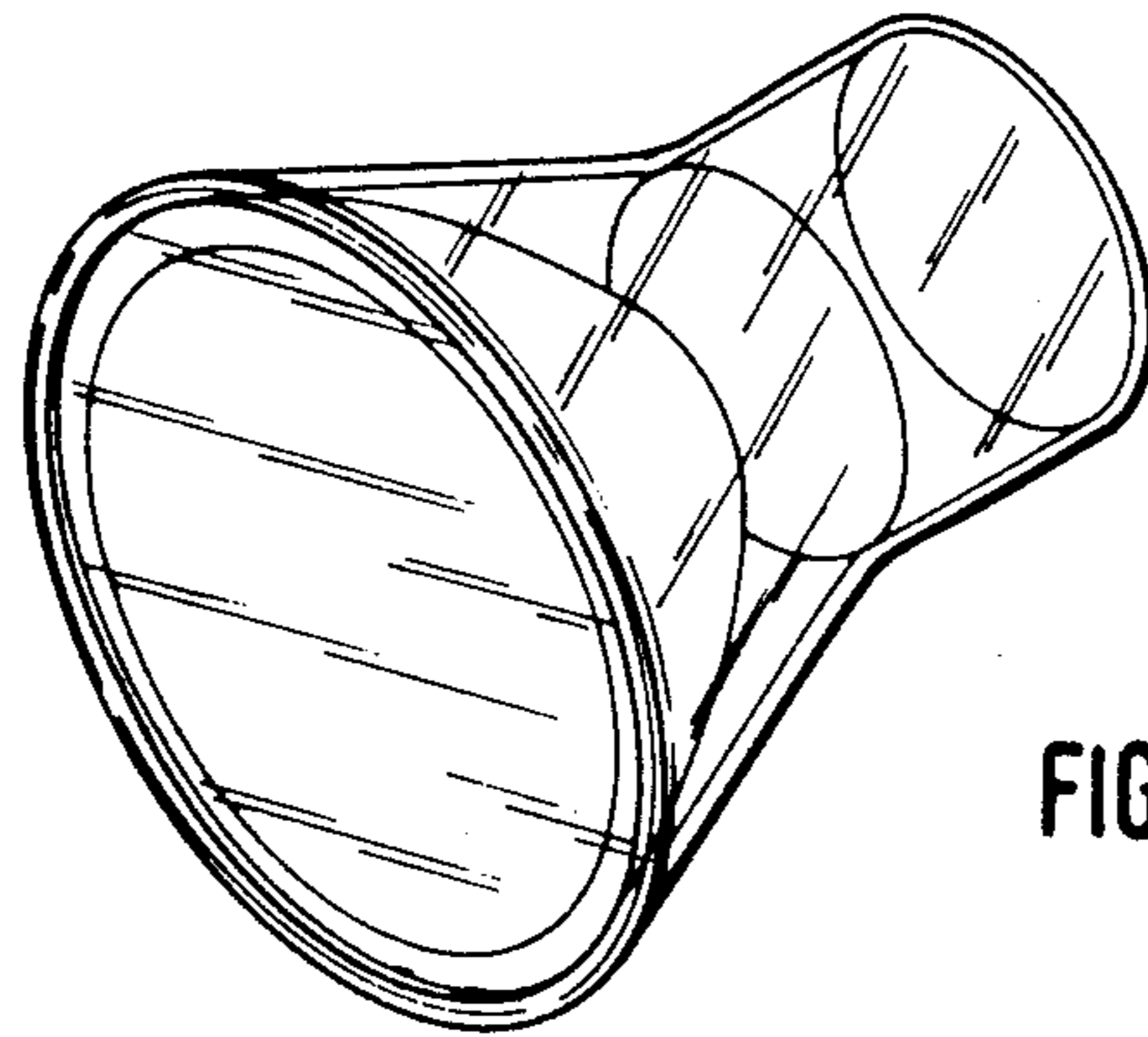


FIG. 5

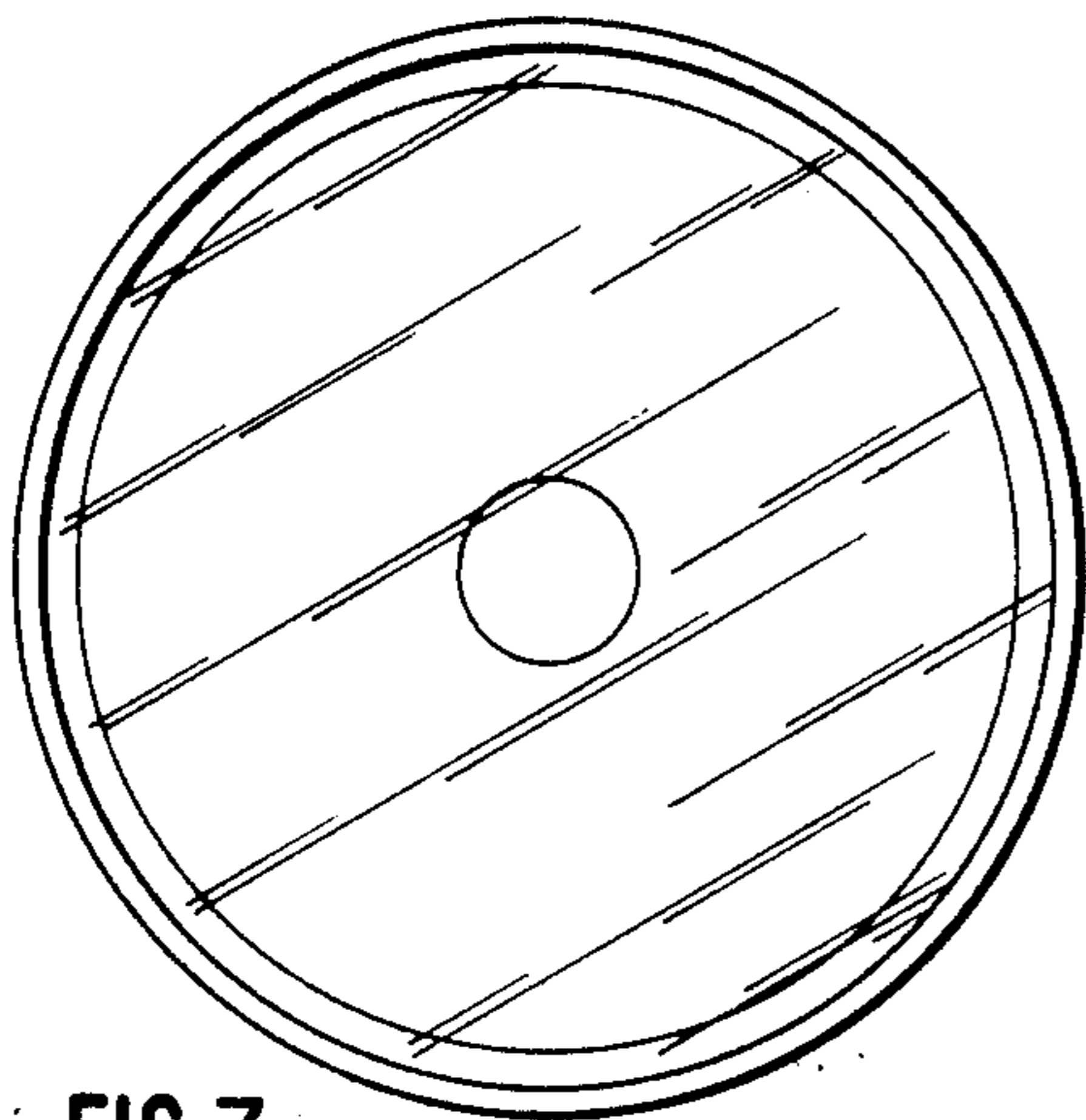


FIG. 7

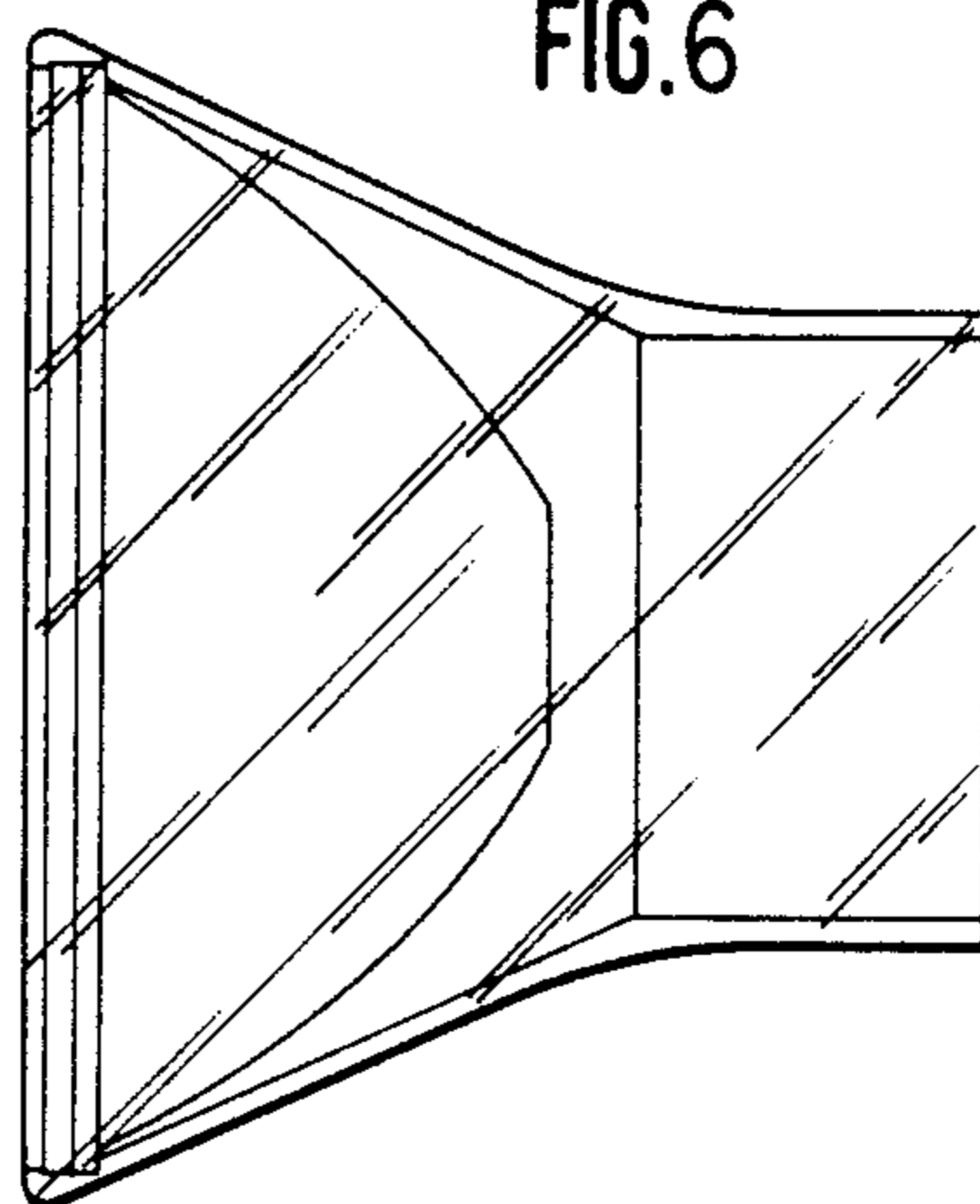


FIG. 6

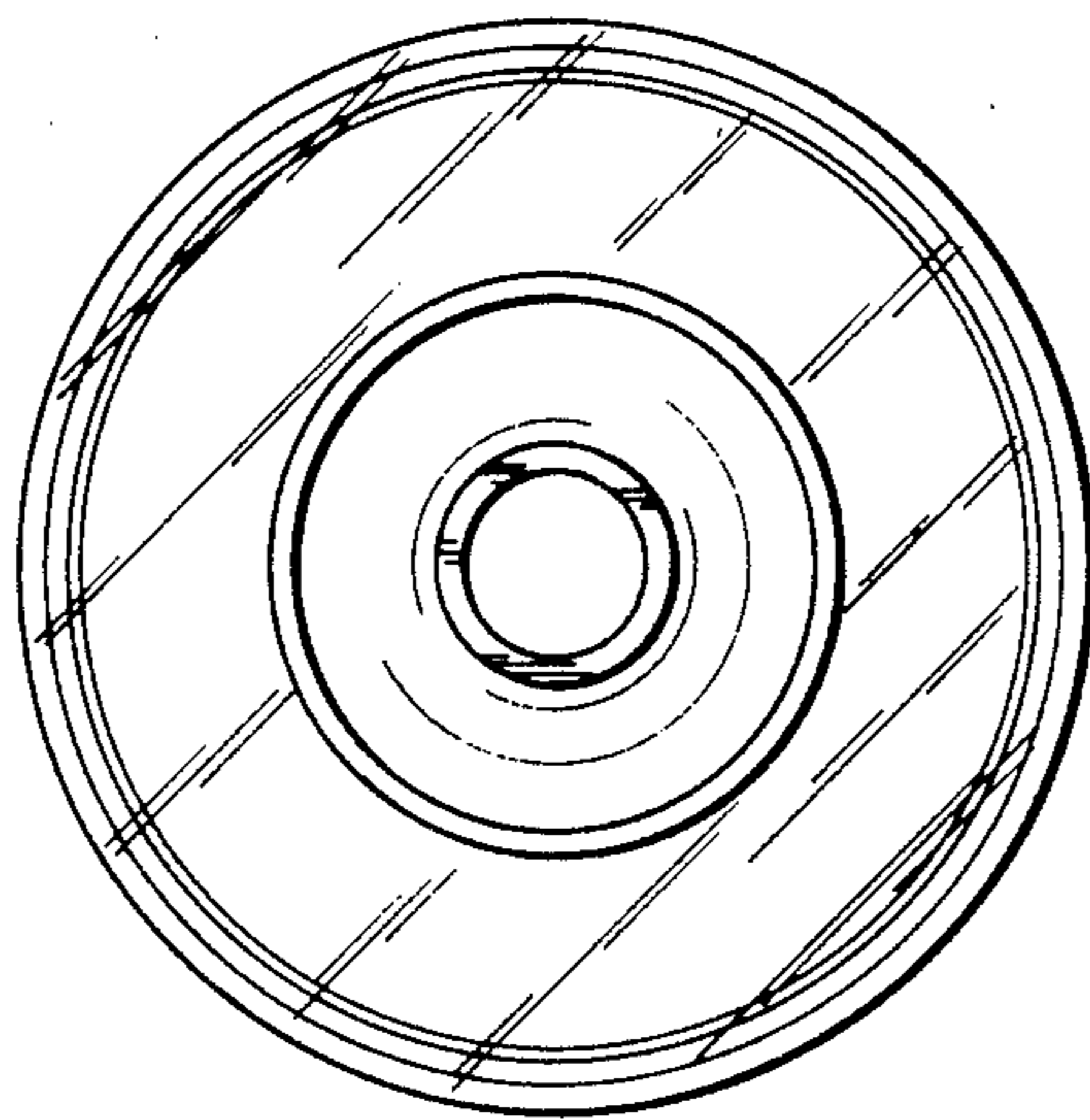


FIG. 8

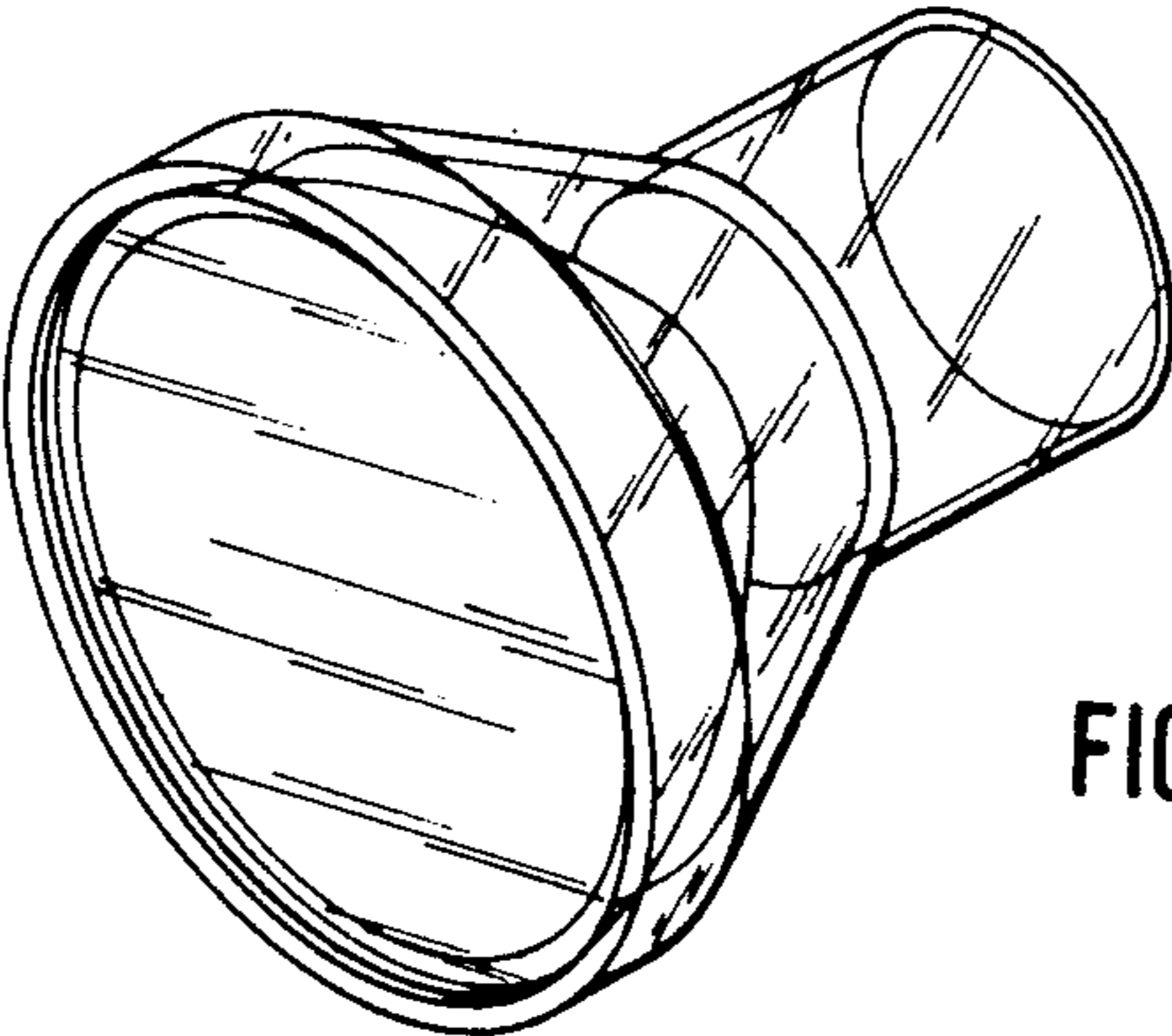


FIG. 9

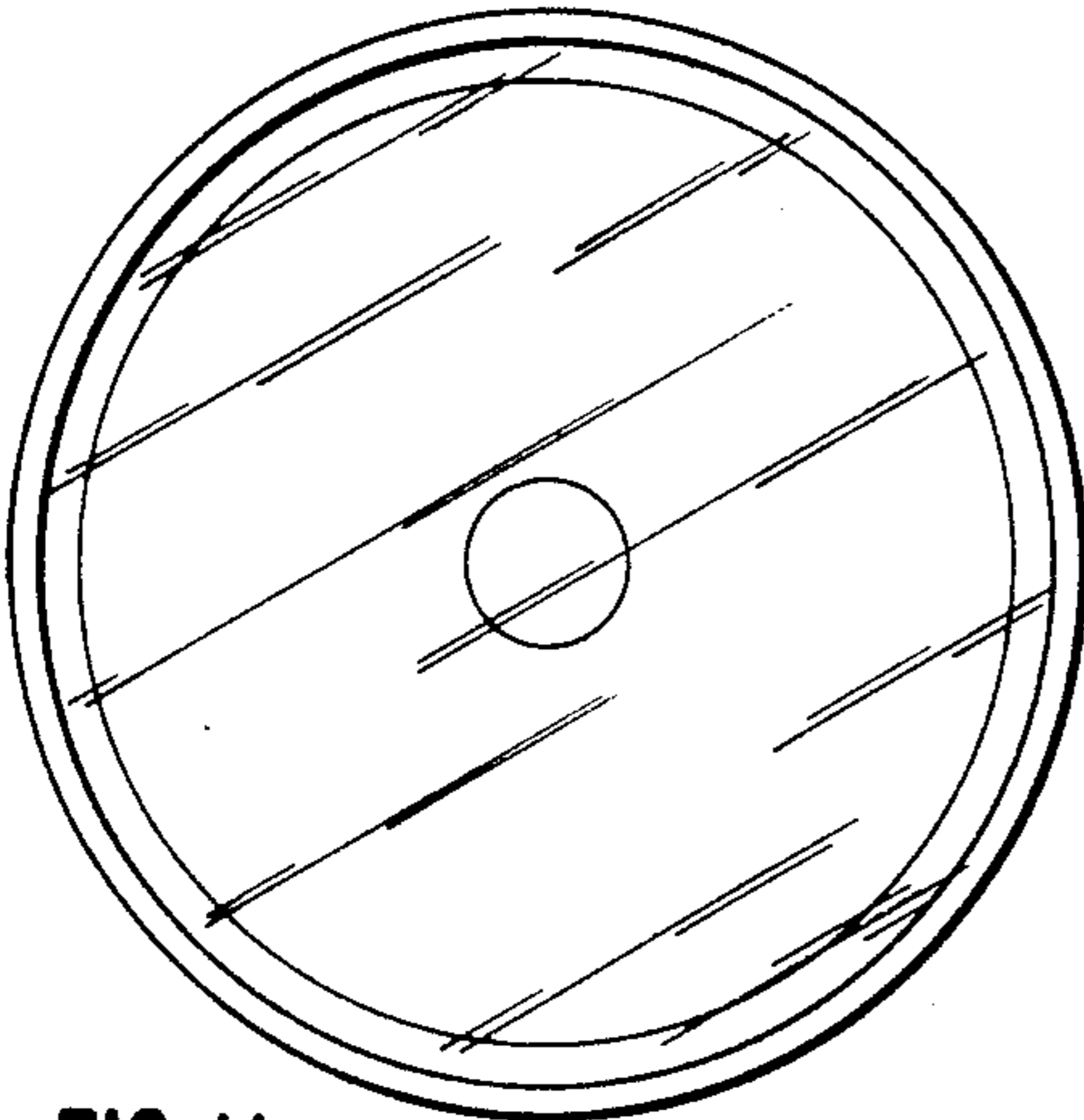


FIG. 11

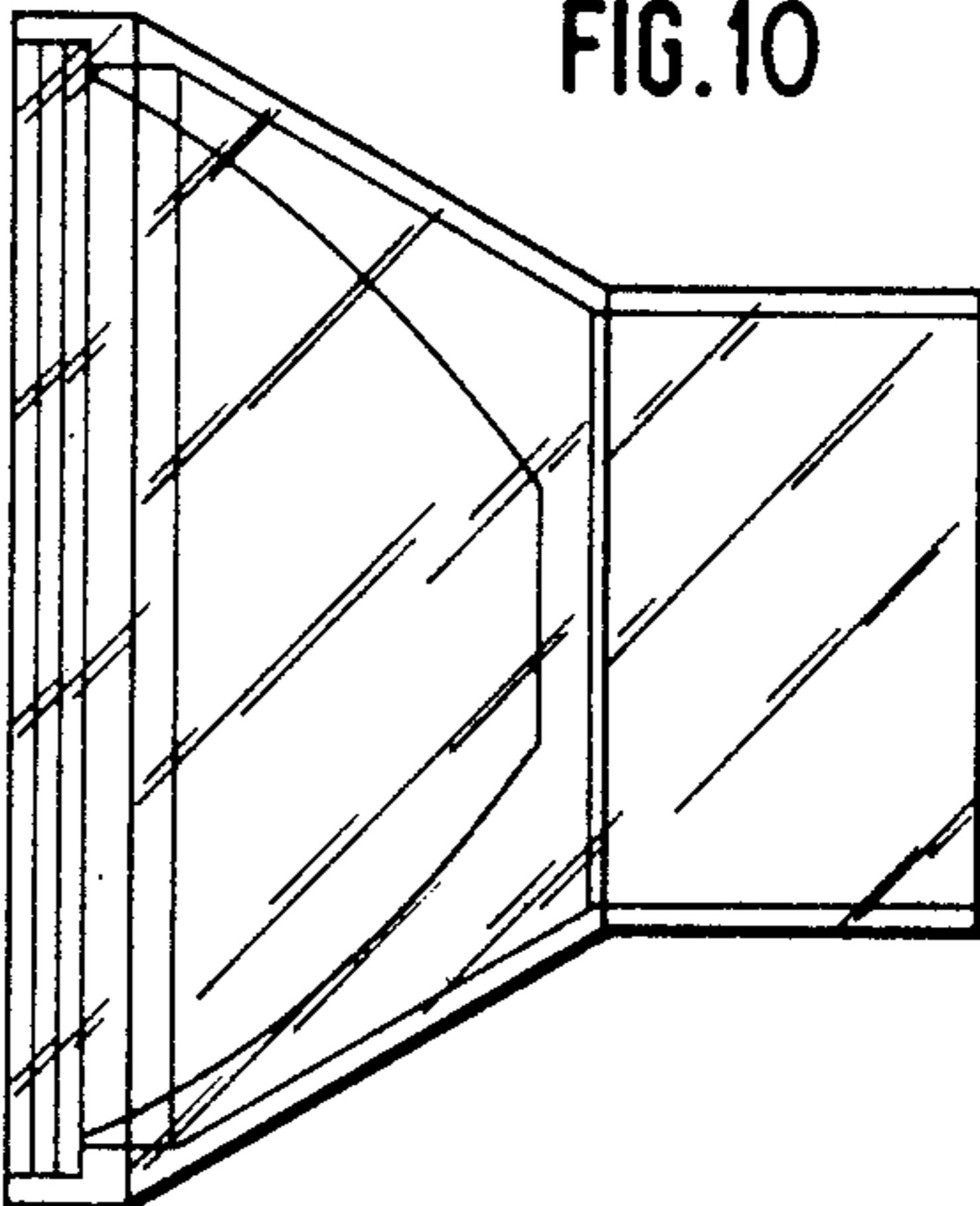


FIG. 10

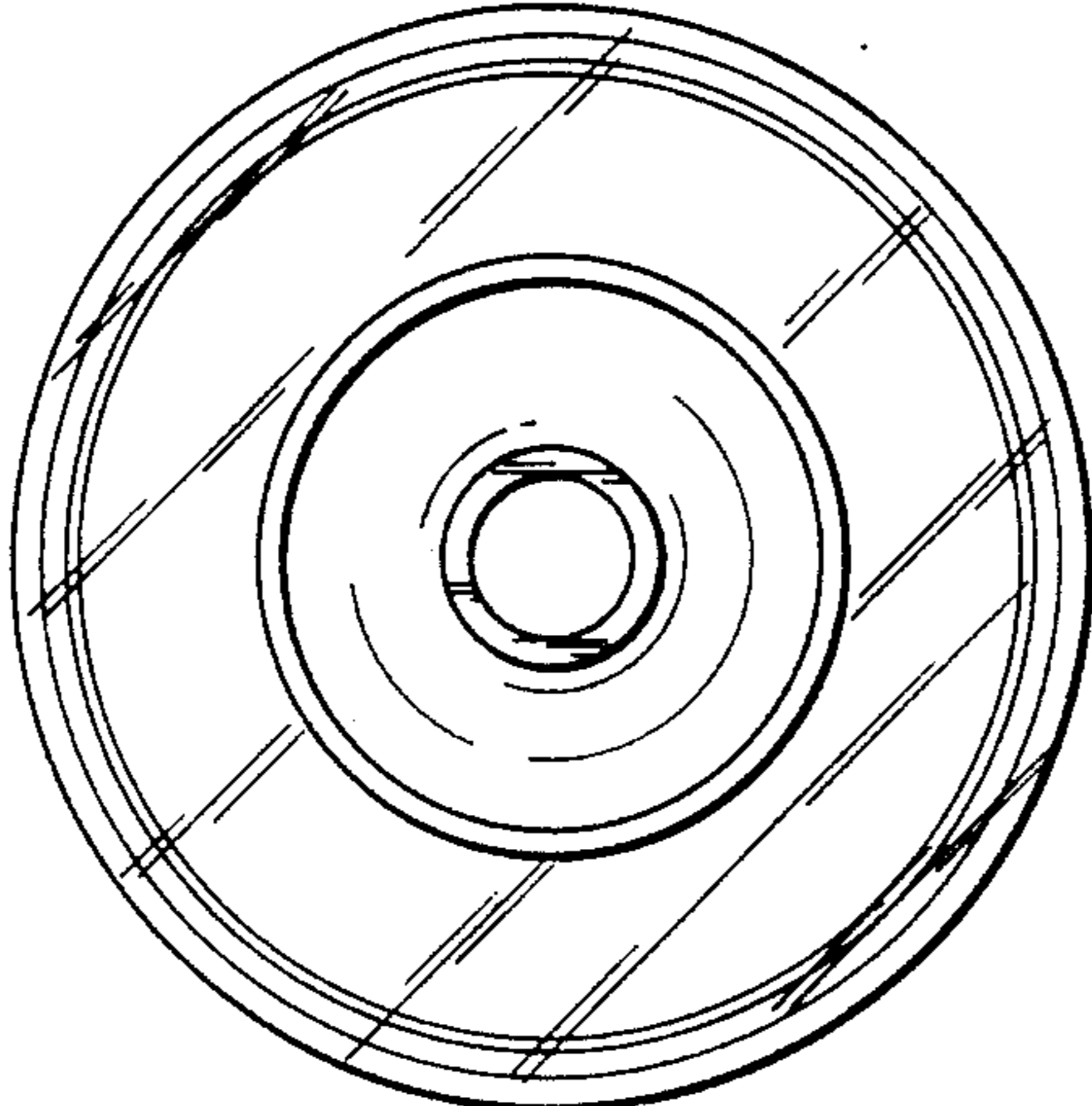


FIG. 12

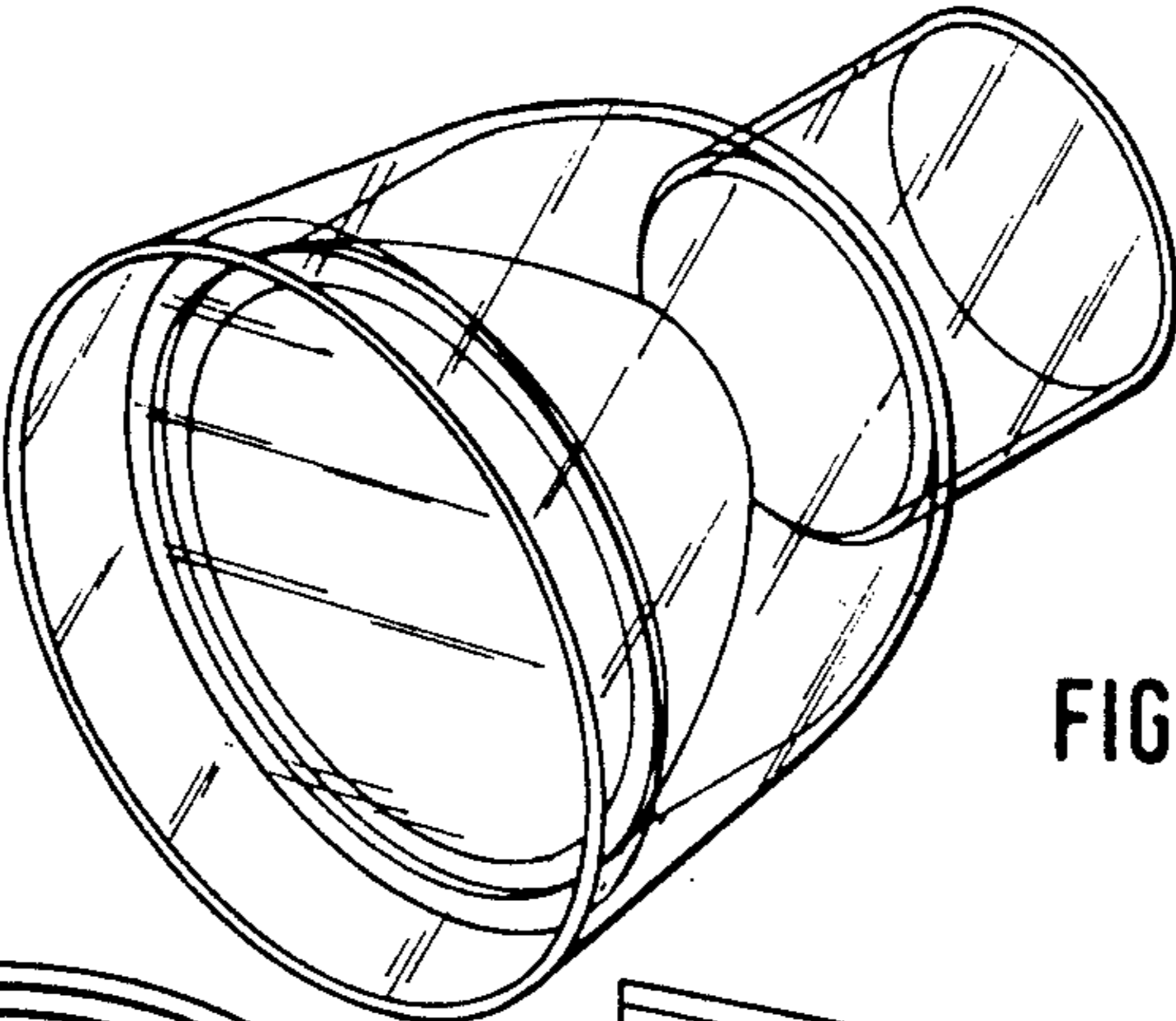


FIG.13

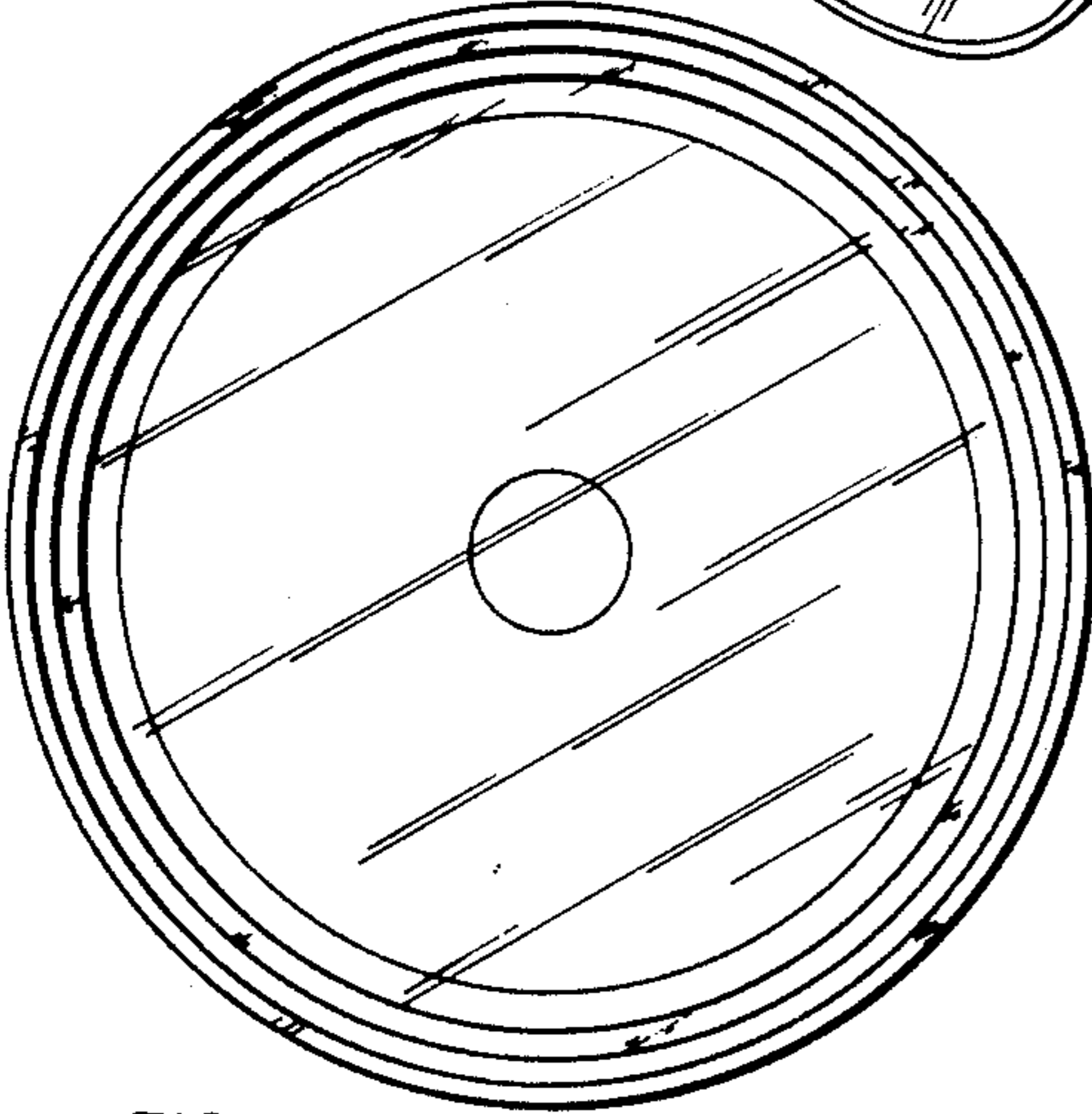


FIG.15

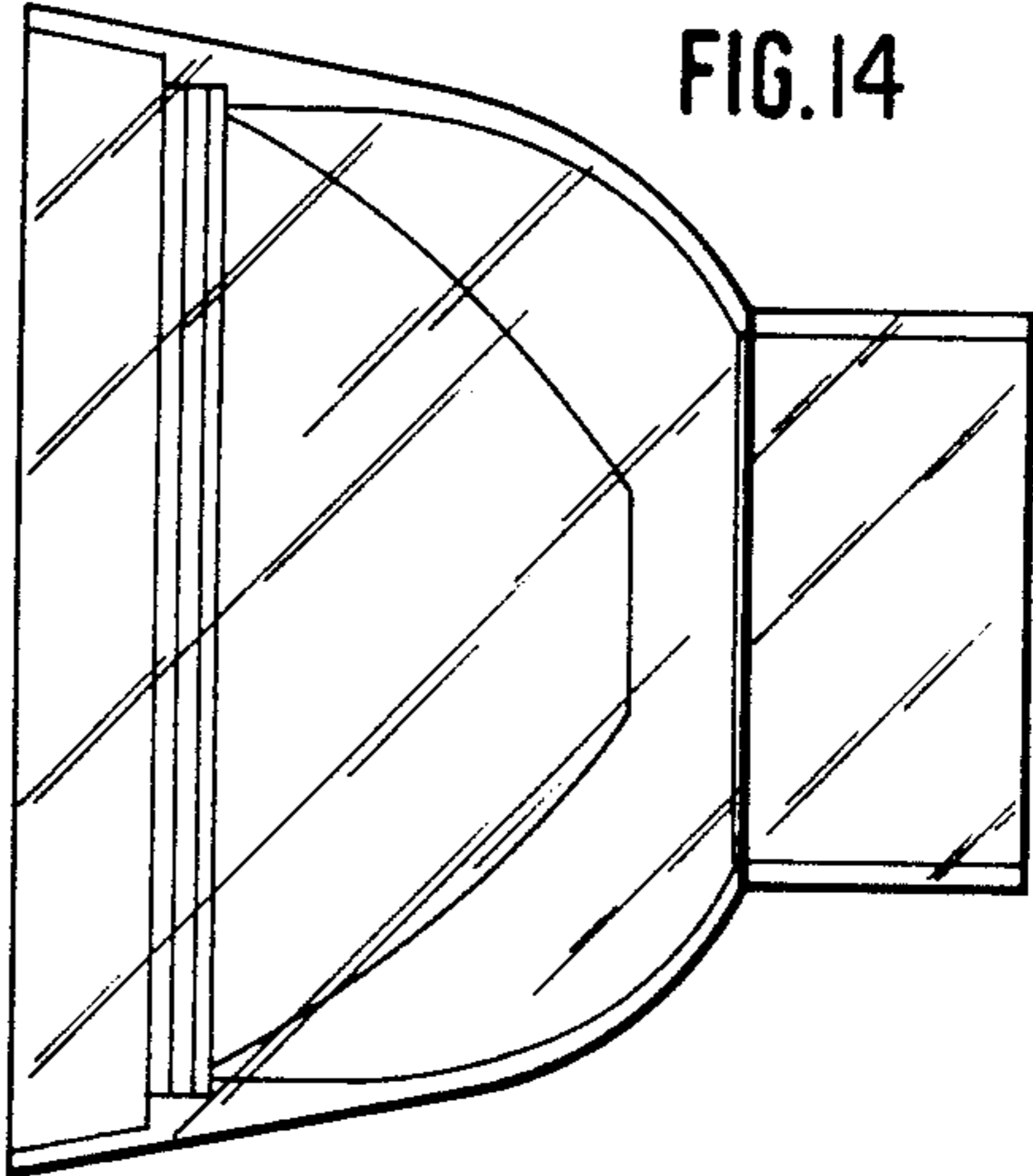


FIG.14

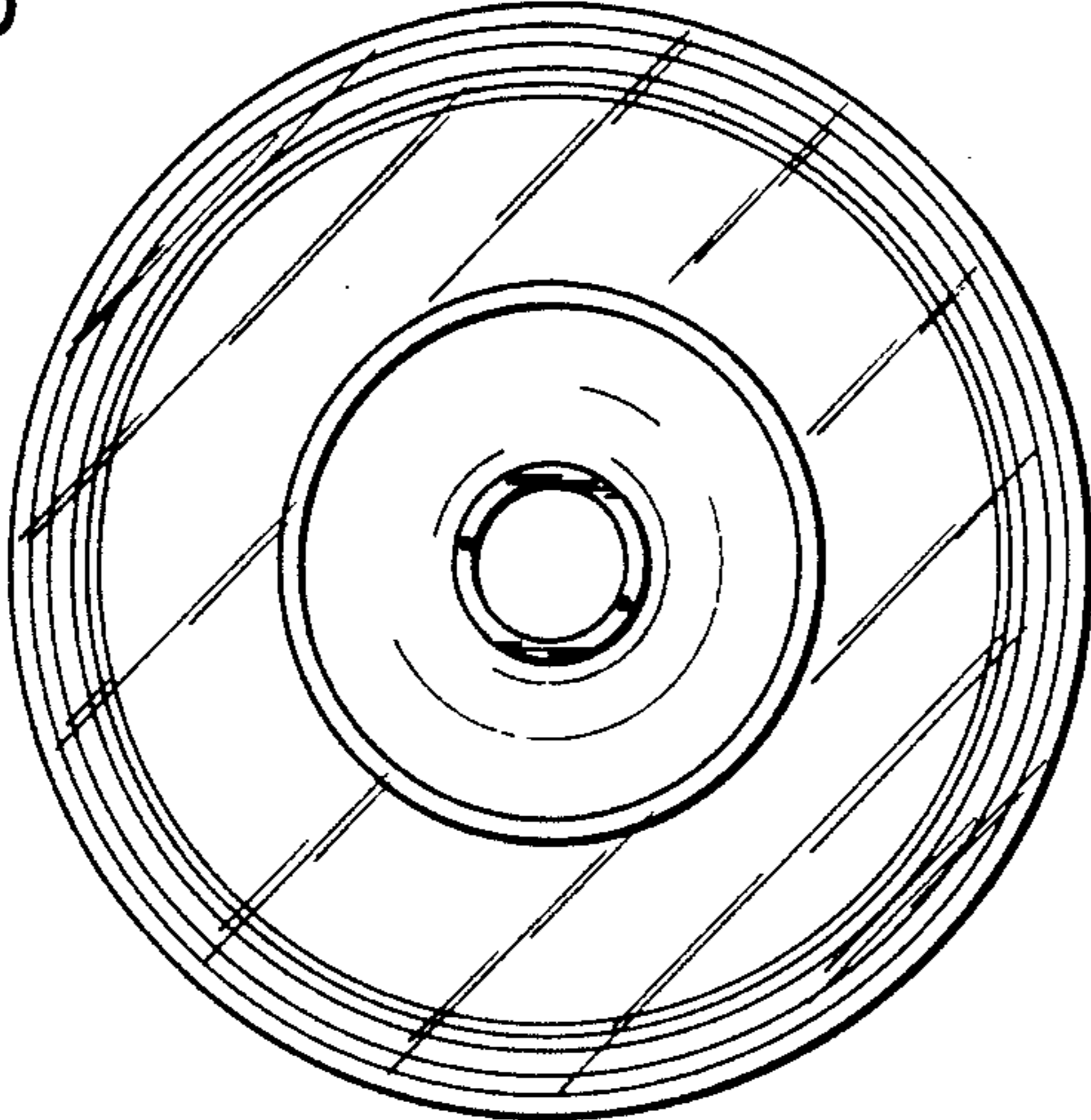


FIG.16