

- [54] **LANDSCAPE ILLUMINATION LIGHT OR SIMILAR APPARATUS**
- [75] **Inventor:** John R. Watson, Dallas, Tex.
- [73] **Assignee:** John Watson Landscape Illumination Inc., Dallas, Tex.
- [**] **Term:** 14 Years
- [21] **Appl. No.:** 967,157
- [22] **Filed:** Dec. 7, 1978
- [51] **Int. Cl.** D26—03
- [52] **U.S. Cl.** D26/24
- [58] **Field of Search** D26/1, 24, 67, 104; 362/362, 363, 364, 365, 368, 369, 371, 374, 375, 153, 382, 396

- [56] **References Cited**
- U.S. PATENT DOCUMENTS**
- D. 211,698 7/1968 Simon D26/24
- FOREIGN PATENT DOCUMENTS**
- 583685 11/1924 France 362/375

OTHER PUBLICATIONS

Kim Exterior Lighting Catalog, 1964, p. 2, C-52 well light.
 Light & Lighting, 3-1954, p. XXI, light (Diopal).
 Lighting, 12-1960, p. 54-Weather-Proof Light Fixture.

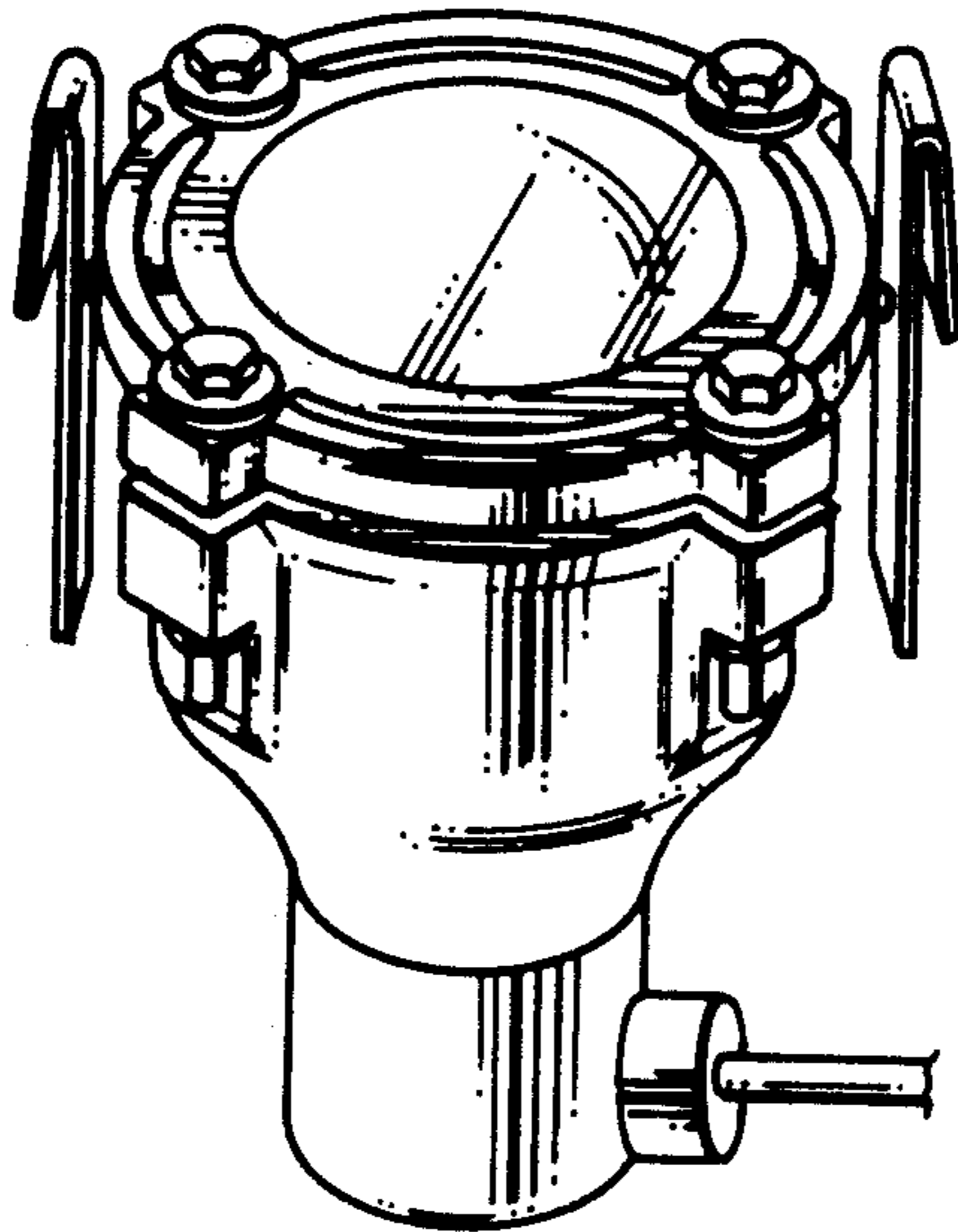
Primary Examiner—Susan J. Lucas
Attorney, Agent, or Firm—Kanz & Timmons

[57] **CLAIM**

The ornamental design for a landscape illumination light or similar apparatus, substantially as shown and described.

DESCRIPTION

FIG. 1 is a perspective view of a landscape illumination light or similar apparatus showing my new design;
 FIG. 2 is a side elevational view of the landscape illumination light or similar apparatus of FIG. 1 on an enlarged scale;
 FIG. 3 is a bottom plan view of the landscape illumination light or similar apparatus of FIG. 1 on an enlarged scale;
 FIG. 4 is a top plan view of the landscape illumination light or similar apparatus of FIG. 1 on an enlarged scale.



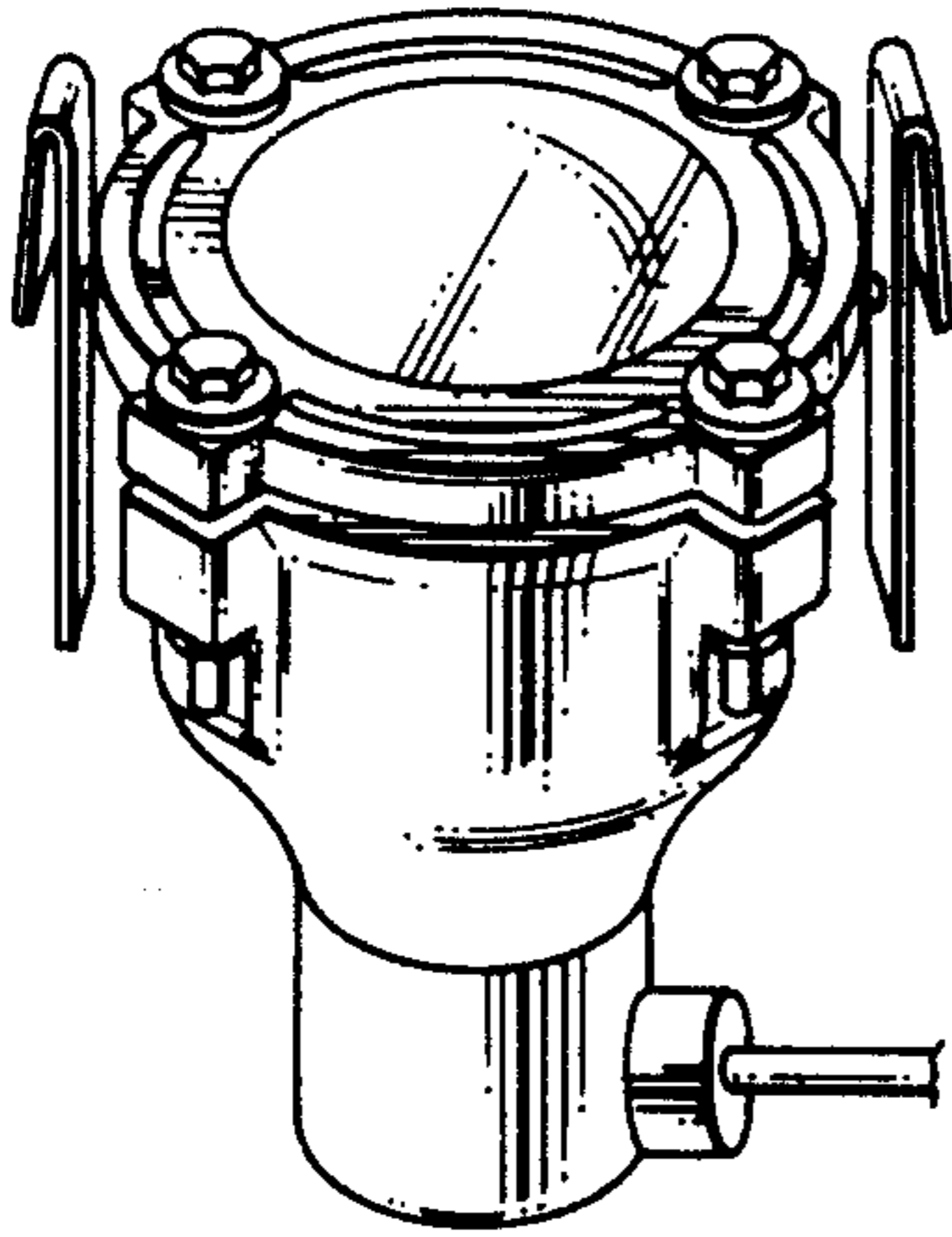


FIG. 1

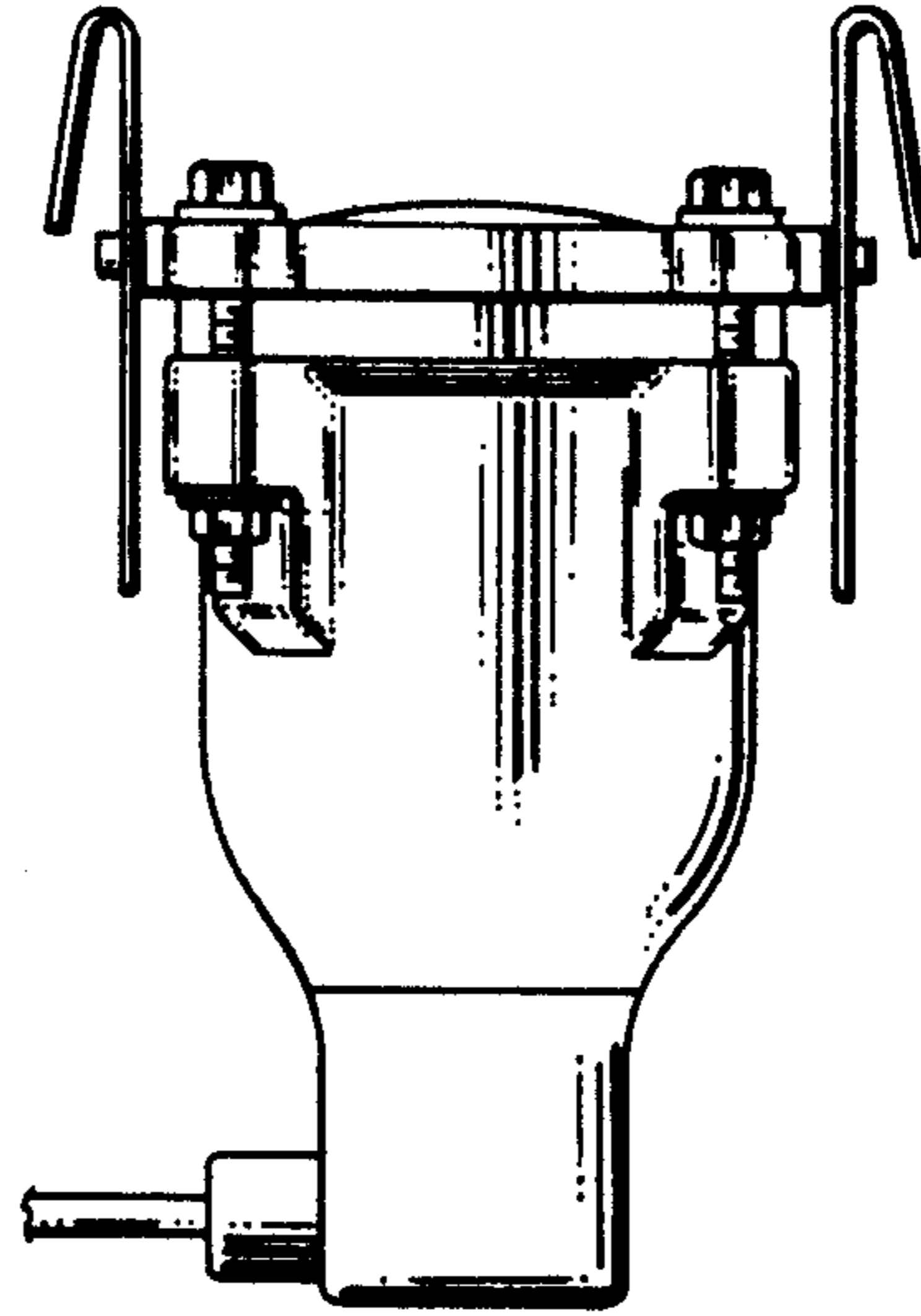


FIG. 2

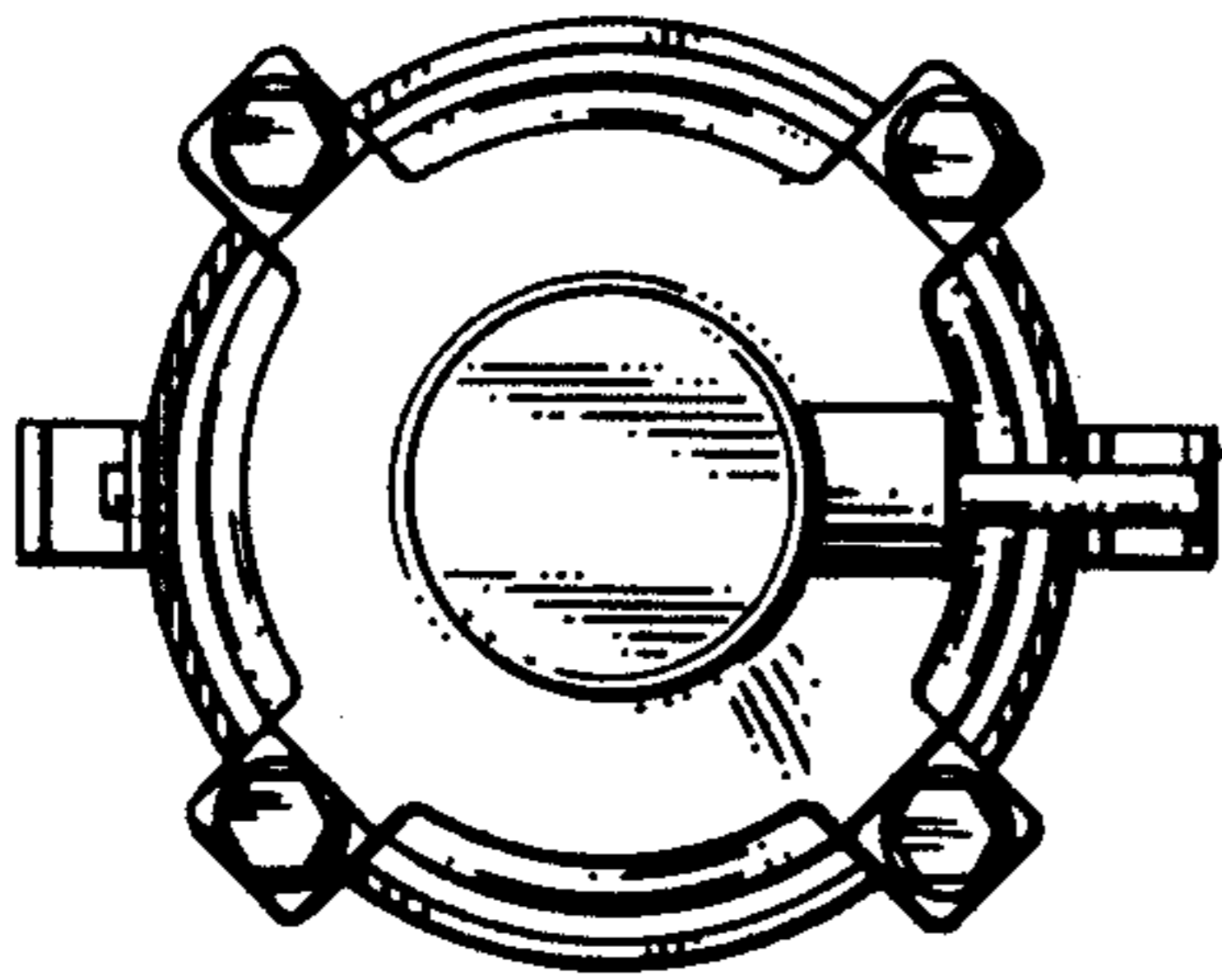


FIG. 3

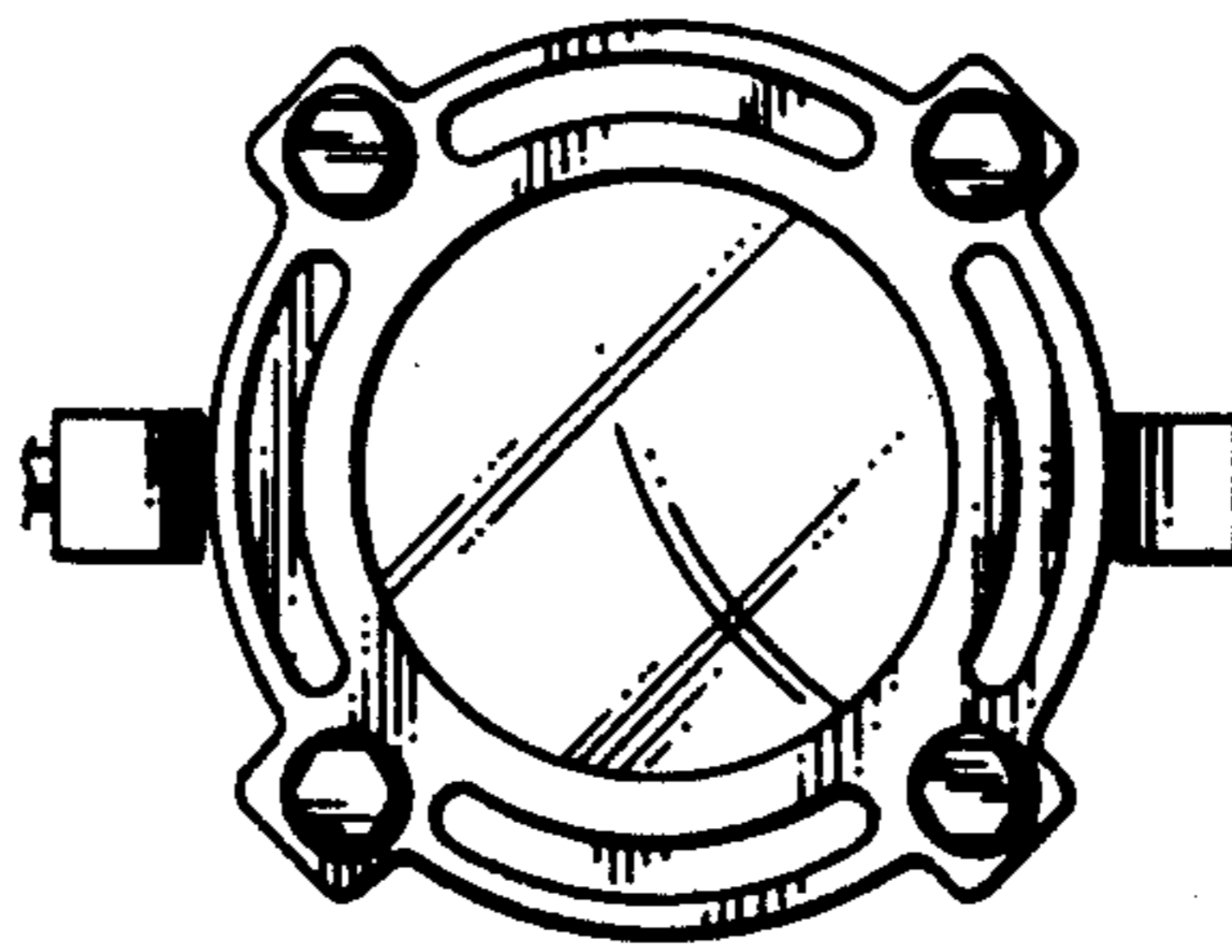


FIG. 4