

[54] ANIMAL HYDROTHERAPY TANK

2,661,865 12/1953 Wendt 119/158 X
3,234,935 2/1966 Bell et al. 119/158 X
3,409,916 11/1968 Billig et al. 220/1 B

[76] Inventors: Jerry Weissman, Pumphouse Rd.,
Brewster, N.Y. 10509; Ely Kass, 26
Kings Ridge Rd., Mahopac, N.Y.
10541

Primary Examiner—Bernard Ansher
Attorney, Agent, or Firm—Robert H. Ware; Melvin I.
Stoltz; Alfred A. Fressola

[**] Term: 14 Years

[57] CLAIM

[21] Appl. No.: 944,880

The ornamental design for an animal hydrotherapy
tank, substantially as shown and described.

[22] Filed: Sep. 22, 1978

DESCRIPTION

[51] Int. Cl. D24—02; D23—02

FIG. 1 is a perspective view of an animal hydrotherapy
tank, showing our new design;

[52] U.S. Cl. D24/38; D23/2;
D23/55; D25/2

FIG. 2 is a side elevational view of the animal hydro-
therapy tank shown in FIG. 1, the other side being
identical thereto;

[58] Field of Search D23/2, 55; 119/158;
D24/38; D25/2; 220/1 B, 1 R

FIG. 3 is a bottom plan view of the animal hydrother-
apy tank shown in FIG. 1;

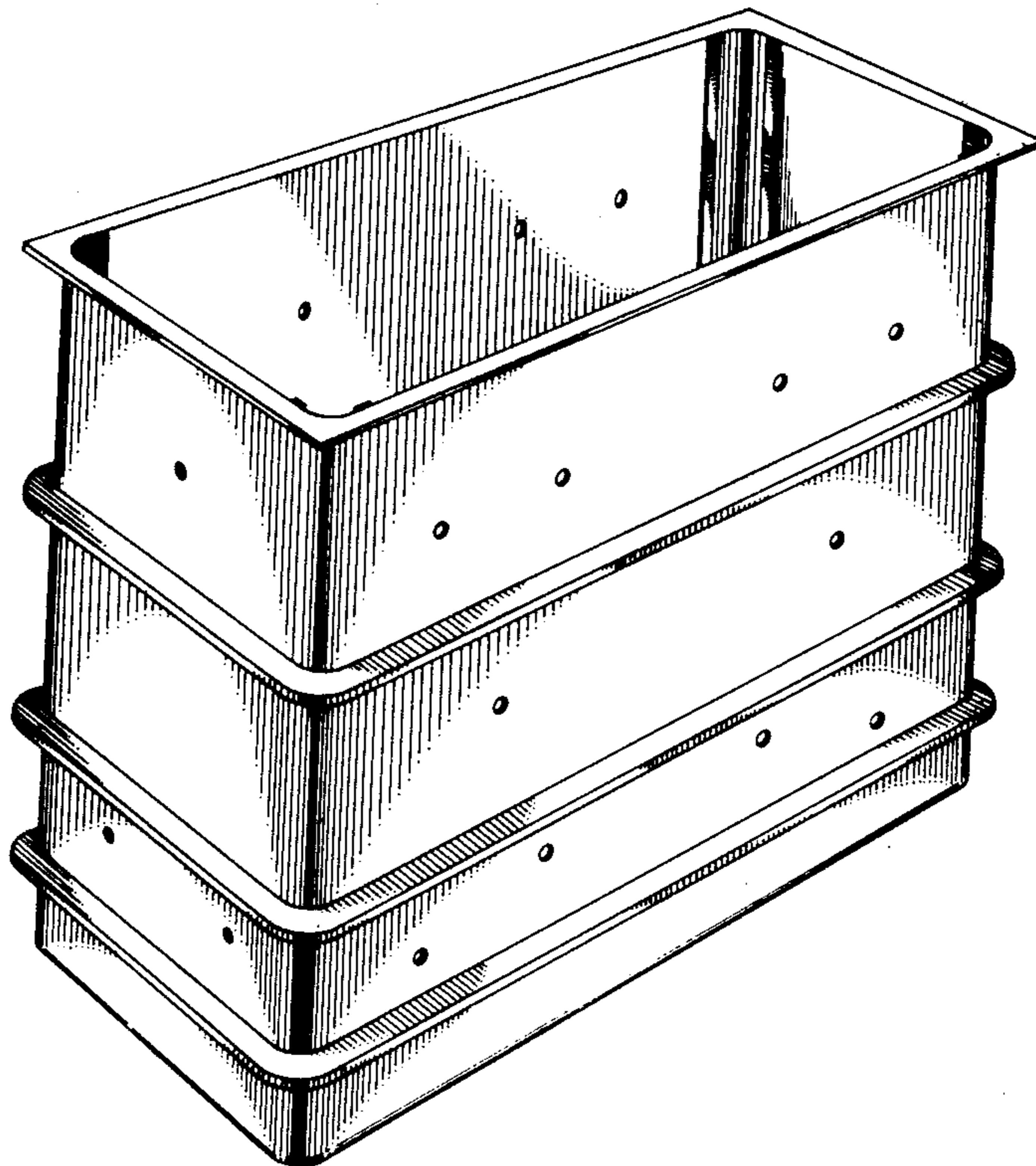
[56] References Cited

U.S. PATENT DOCUMENTS

D. 237,709 11/1975 Jacuzzi et al. D23/55
D. 244,449 5/1977 Kerr et al. D23/2
D. 251,201 2/1979 Mathis D24/38
2,438,979 4/1948 Short 119/158 X

FIG. 4 is a front elevational view of the animal hydro-
therapy tank shown in FIG. 1, the rear being identical
thereto; and

FIG. 5 is a top plan view of the animal hydrotherapy
tank shown in FIG. 1.



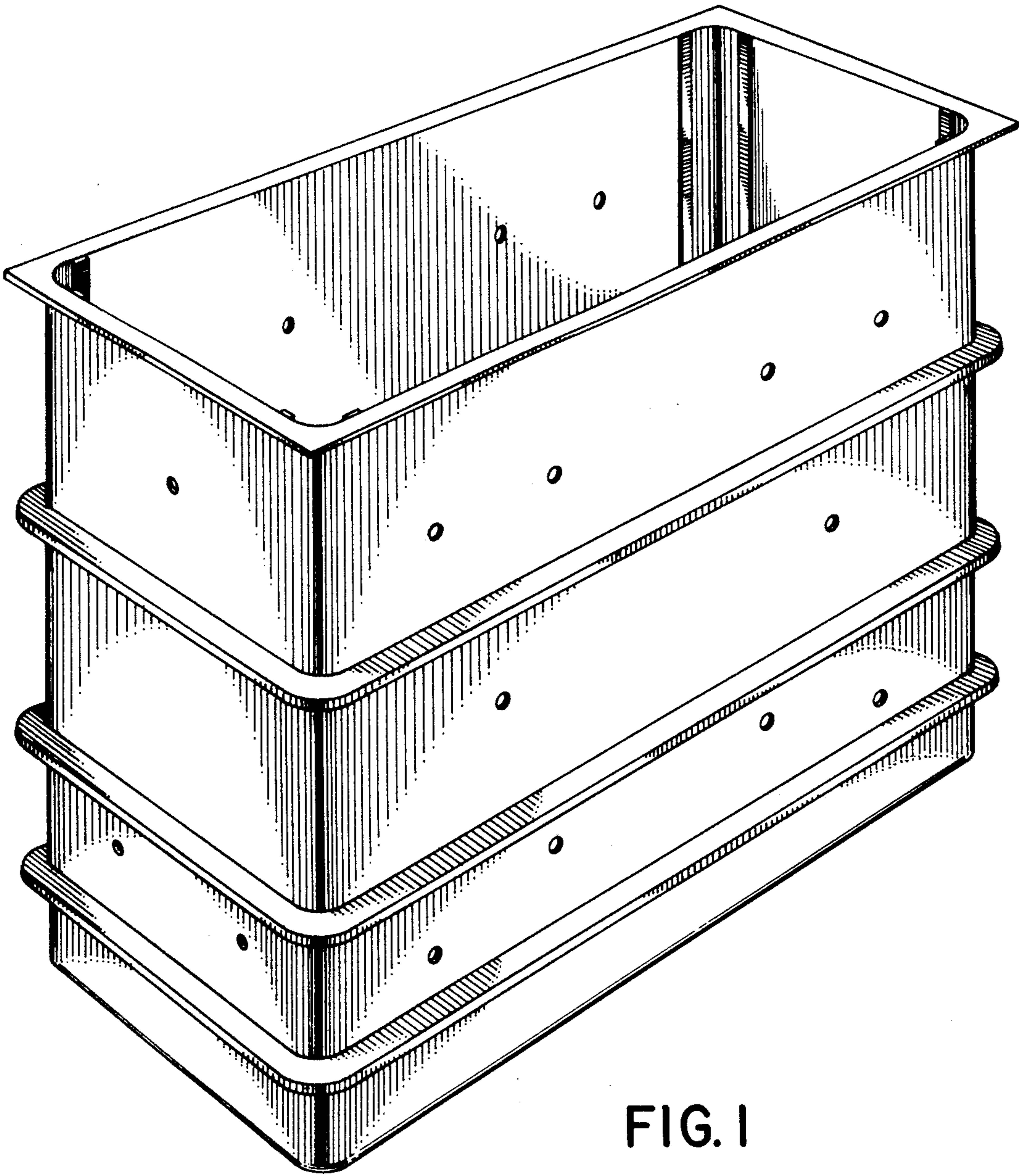


FIG. 1

FIG. 2

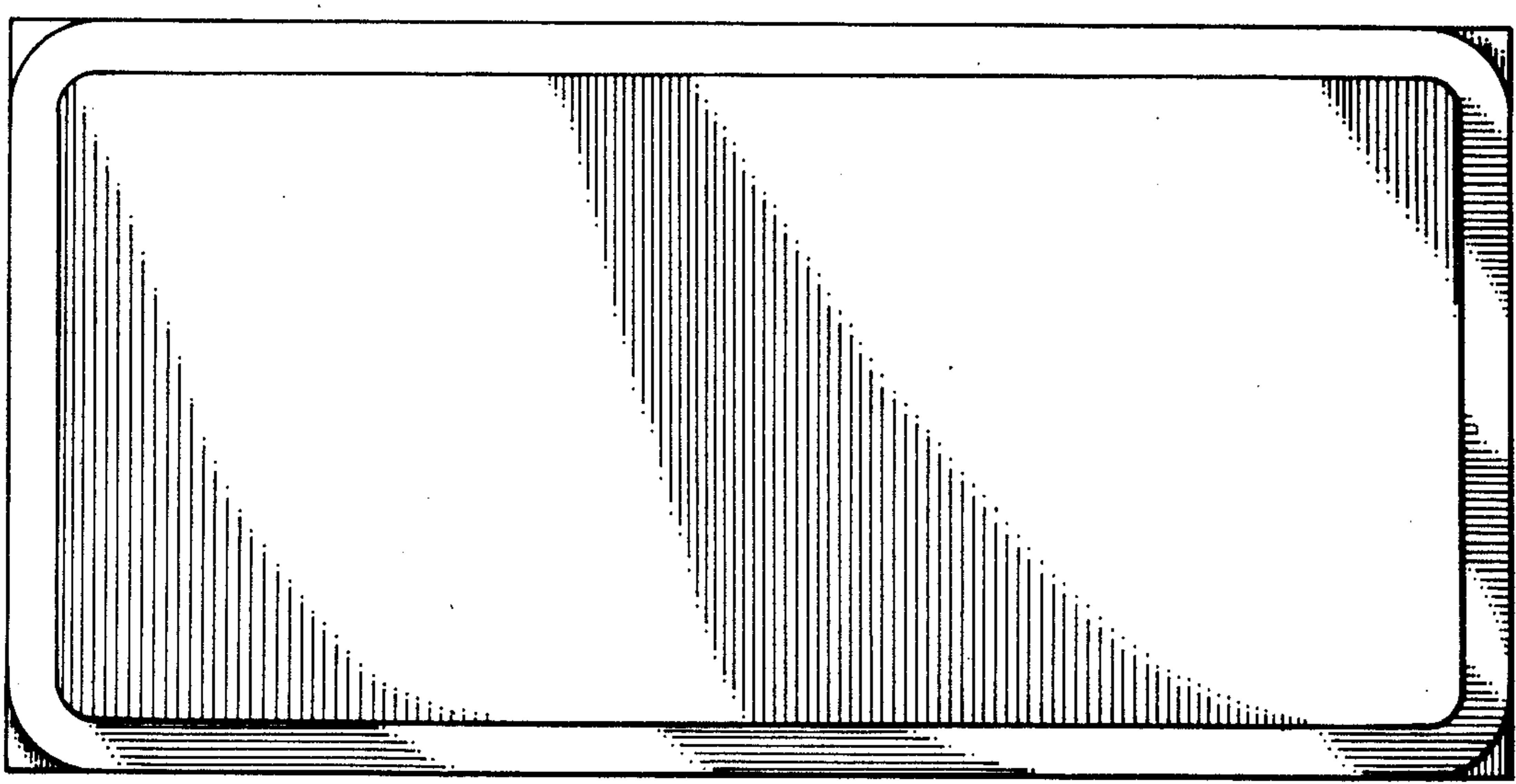
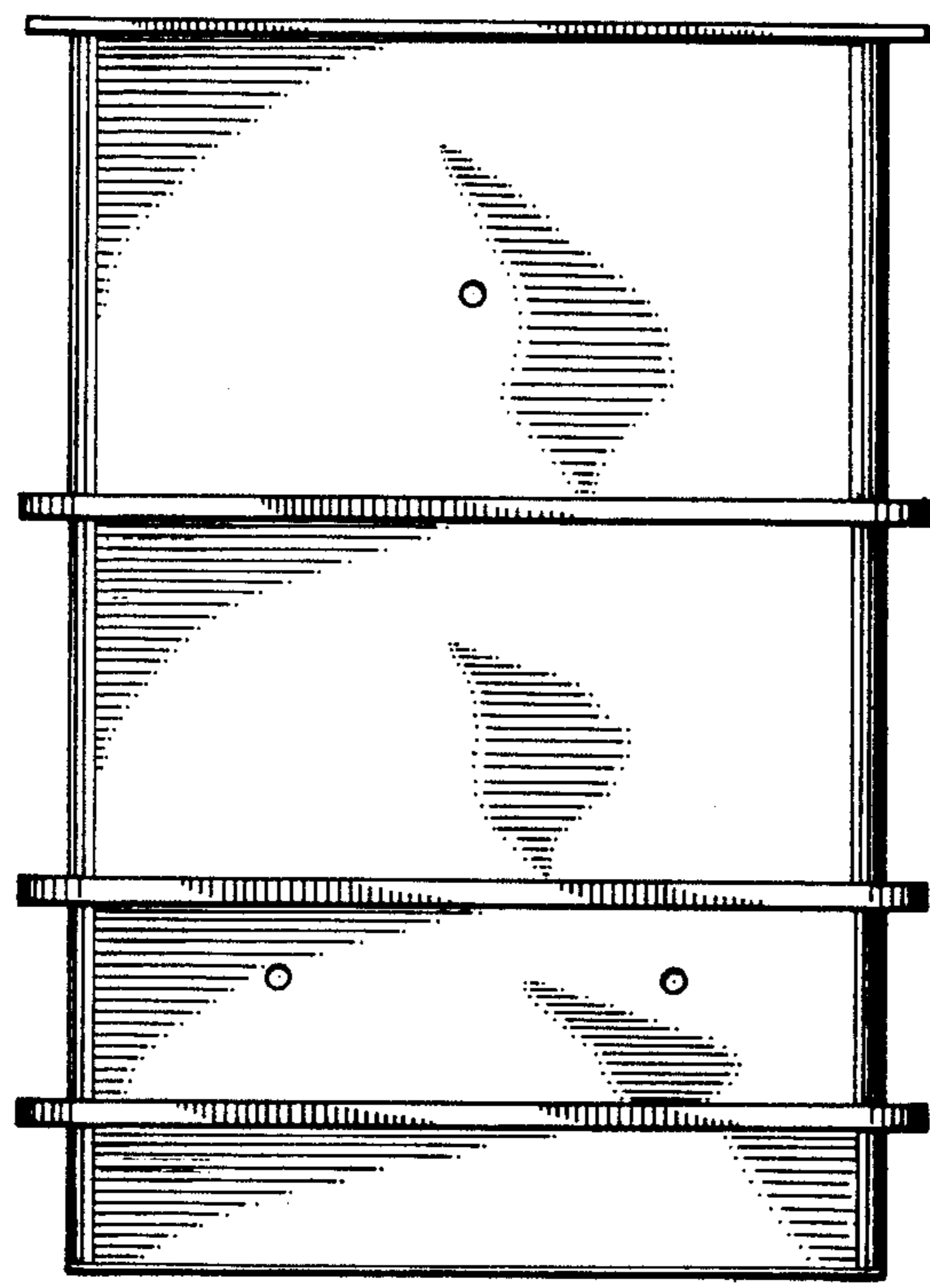


FIG. 3

FIG. 4

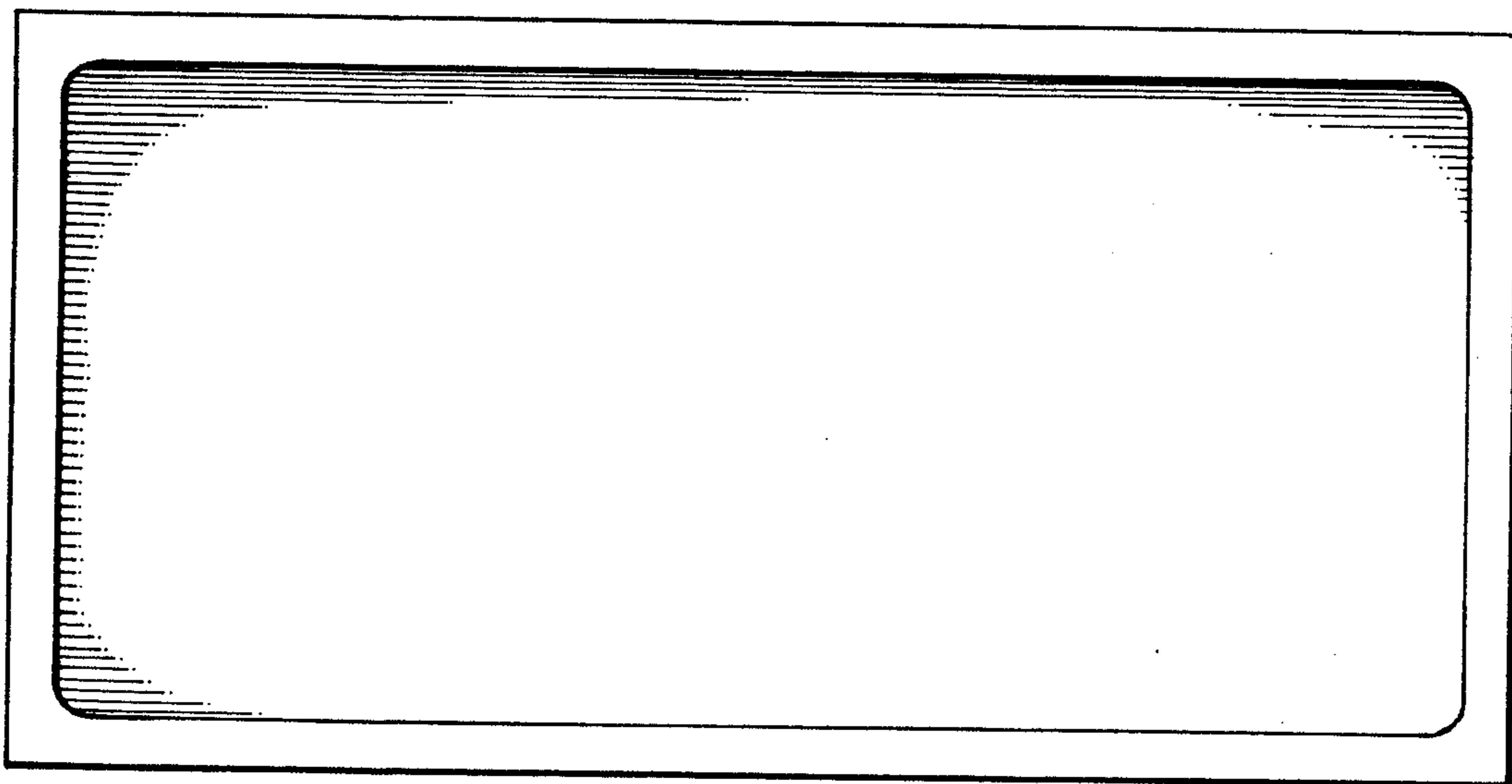
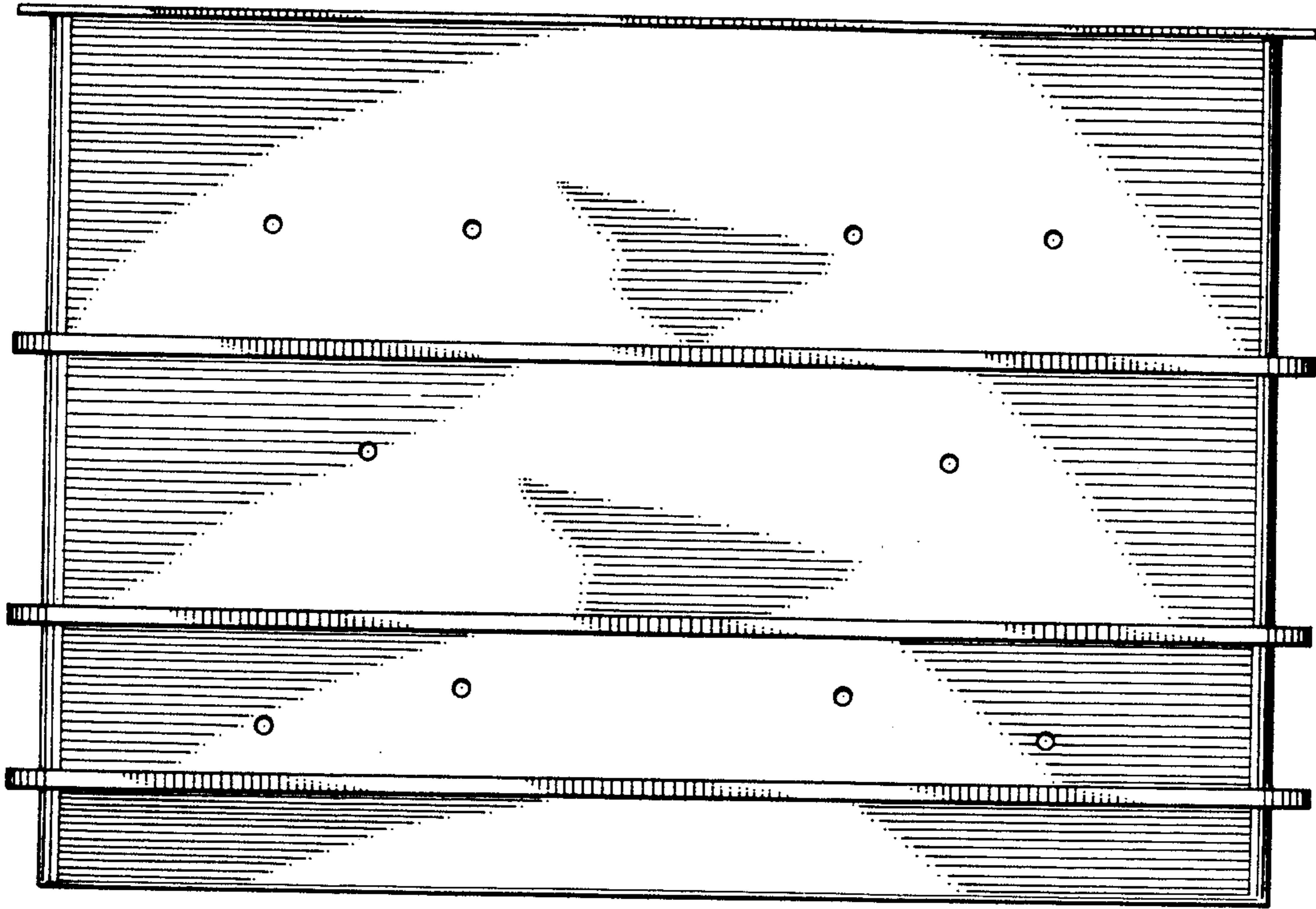


FIG. 5