

[54] TOY WEAPON

[56]

References Cited

U.S. PATENT DOCUMENTS

[75] Inventor: Richard M. Rubin, Hollywood, Calif.

D. 161,621	1/1951	Halvas .....	D21/147
D. 168,878	2/1953	Arliiss .....	D21/147
D. 247,714	4/1978	Clifford .....	D22/6

[73] Assignee: Paramount Pictures Corporation, Los Angeles, Calif.

Primary Examiner—Charles A. Rademaker  
Attorney, Agent, or Firm—Michael A. Painter

[\*\*] Term: 14 Years

[57] CLAIM

The ornamental design for a toy weapon, substantially as shown.

[21] Appl. No.: 28,833

DESCRIPTION

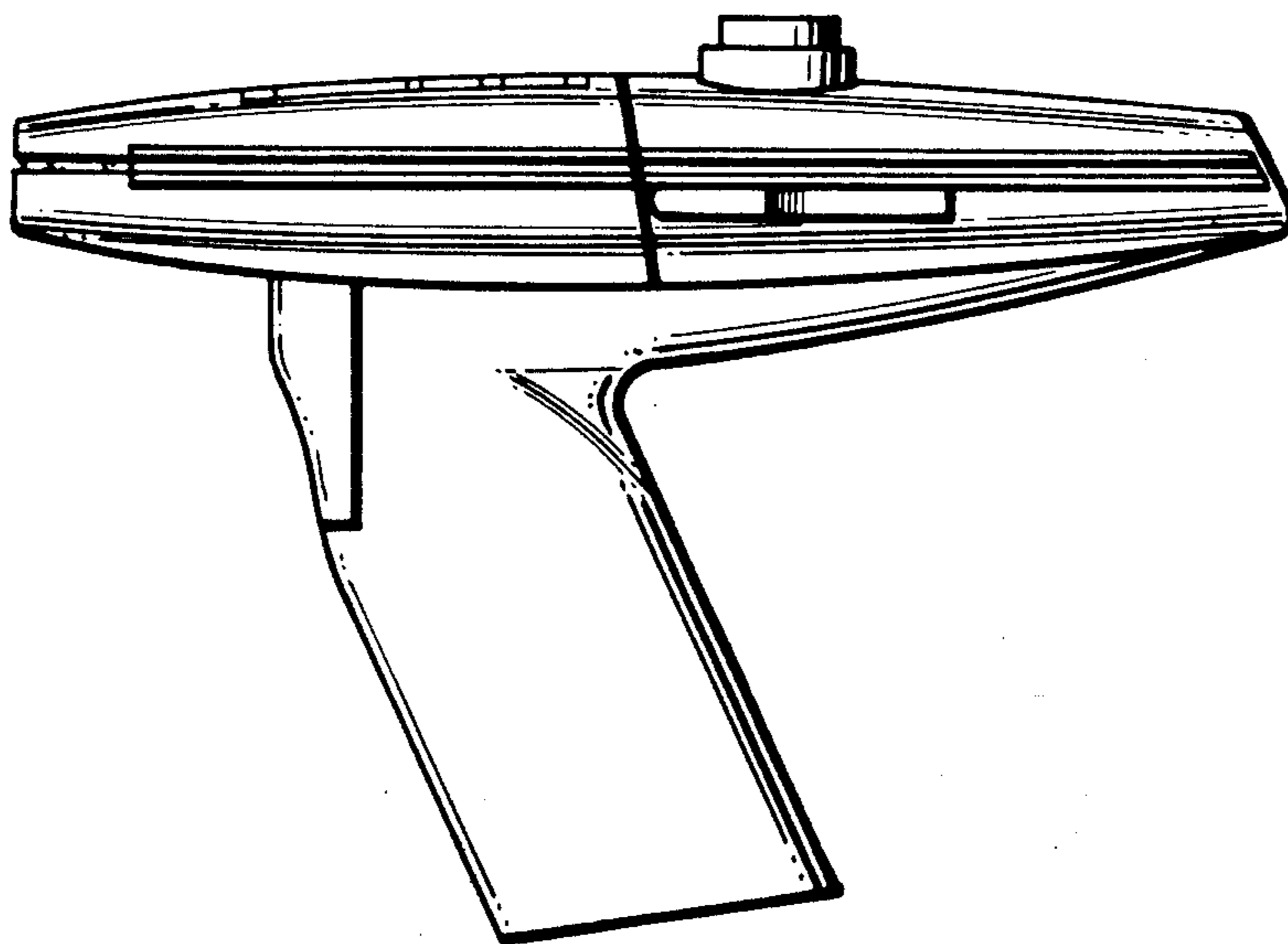
[22] Filed: Apr. 10, 1979

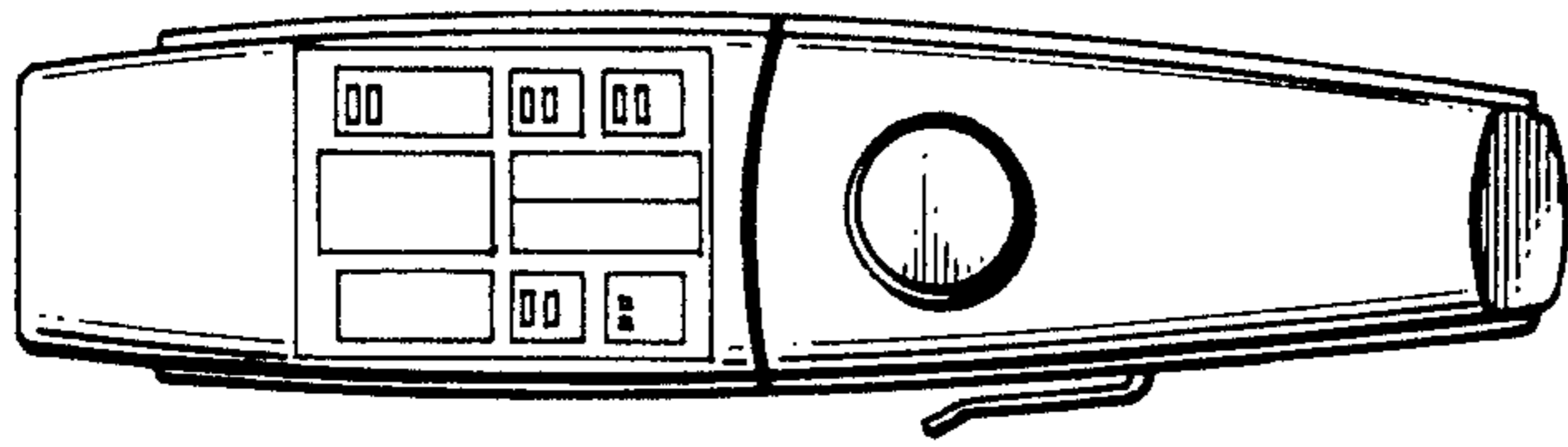
FIG. 1 is a top plan view of a toy weapon showing my new design;  
 FIG. 2 is a side elevational view thereof;  
 FIG. 3 is a rear elevational view thereof;  
 FIG. 4 is a front elevational view thereof;  
 FIG. 5 is a bottom plan view thereof; and,  
 FIG. 6 is a side elevational view of the side opposite that shown in FIG. 2.

[51] Int. Cl. .... D21—01

[52] U.S. Cl. .... D21/147

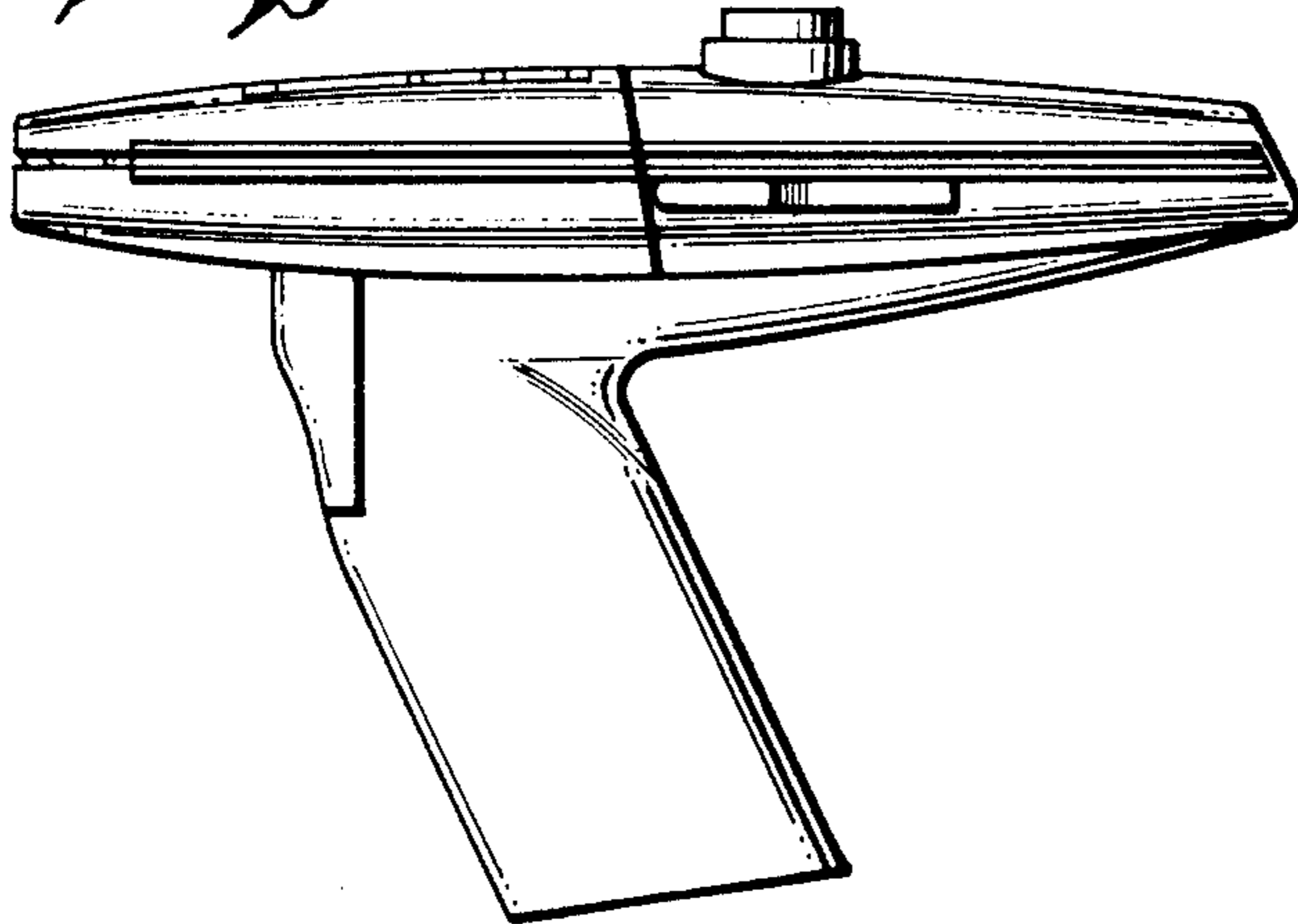
[58] Field of Search ..... D21/145, 146, 147;  
46/1 E; D8/68; D22/6



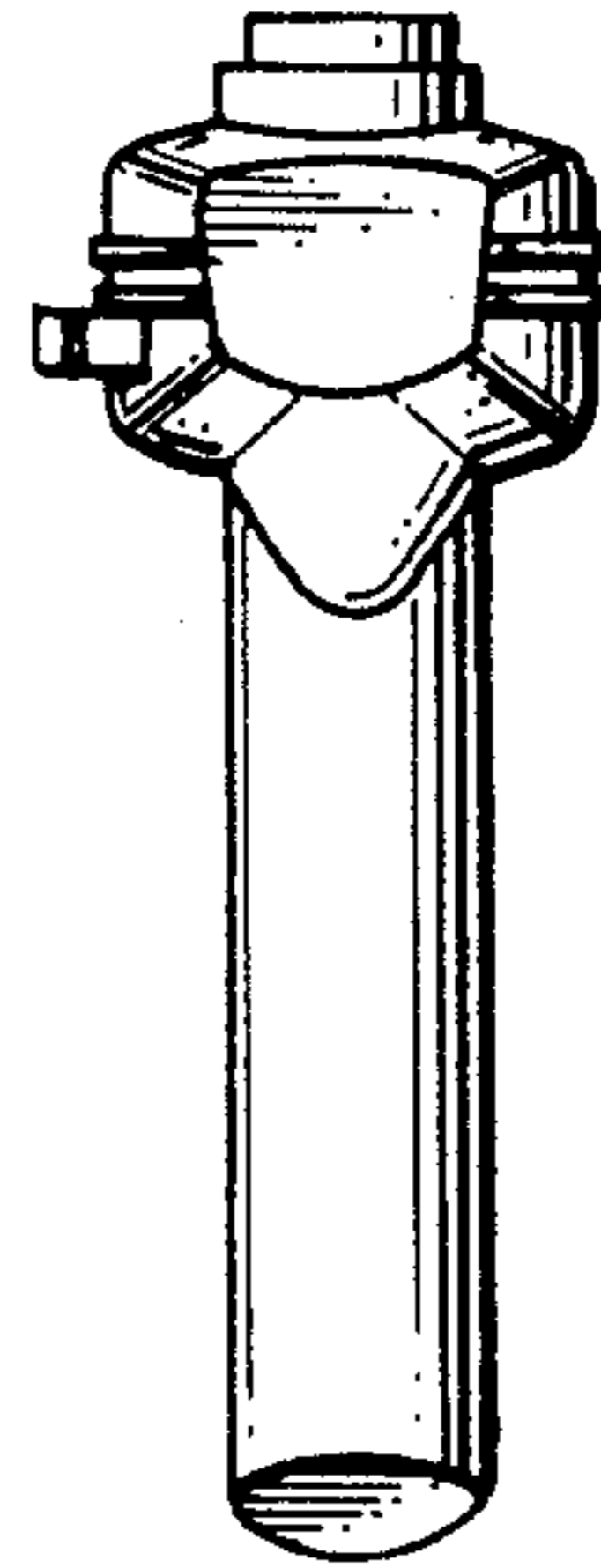


*Fig. 1.*

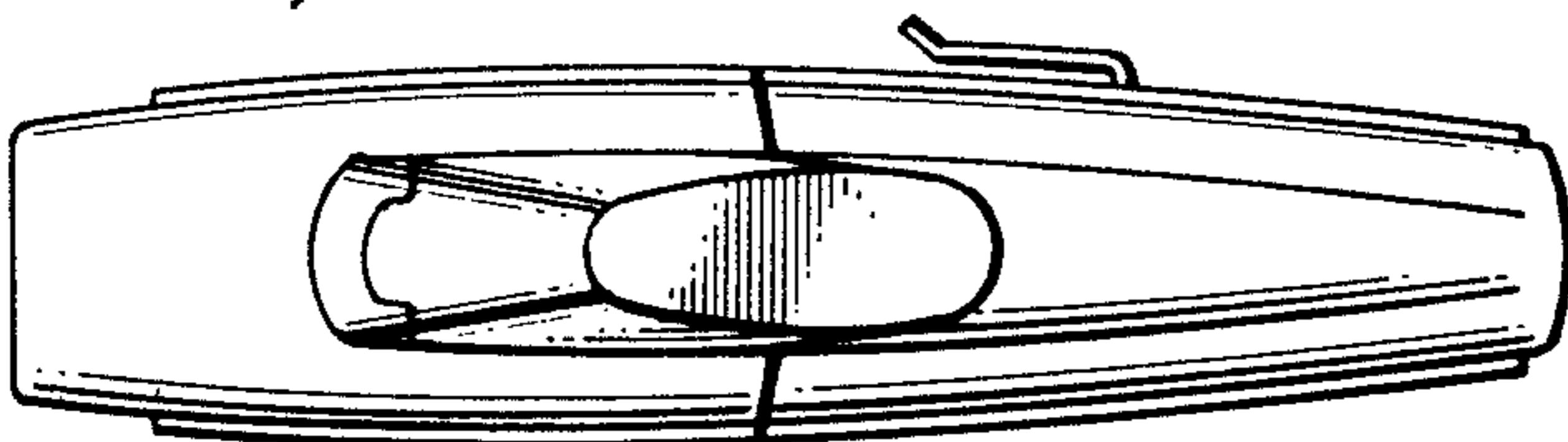
*Fig. 2.*



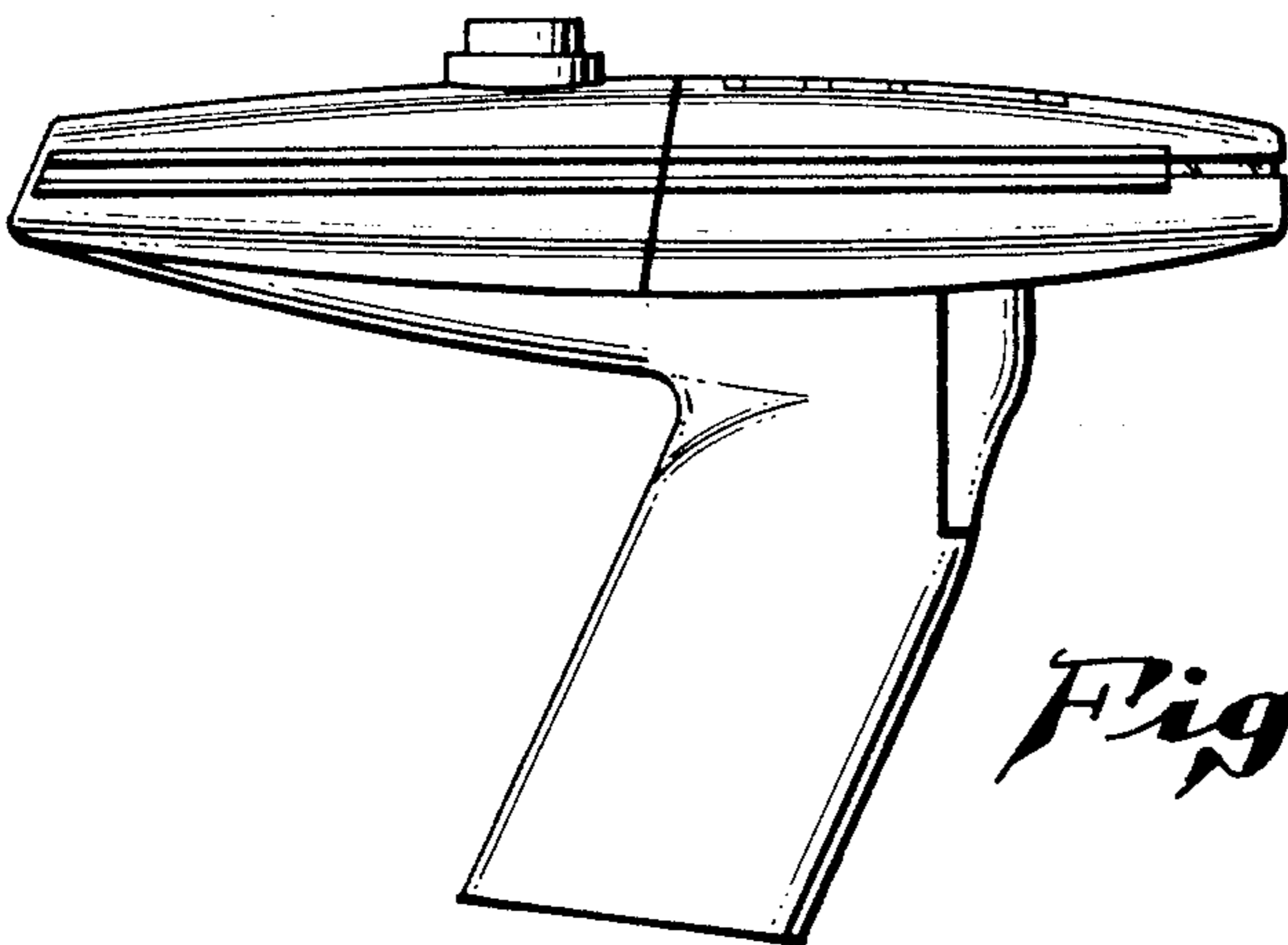
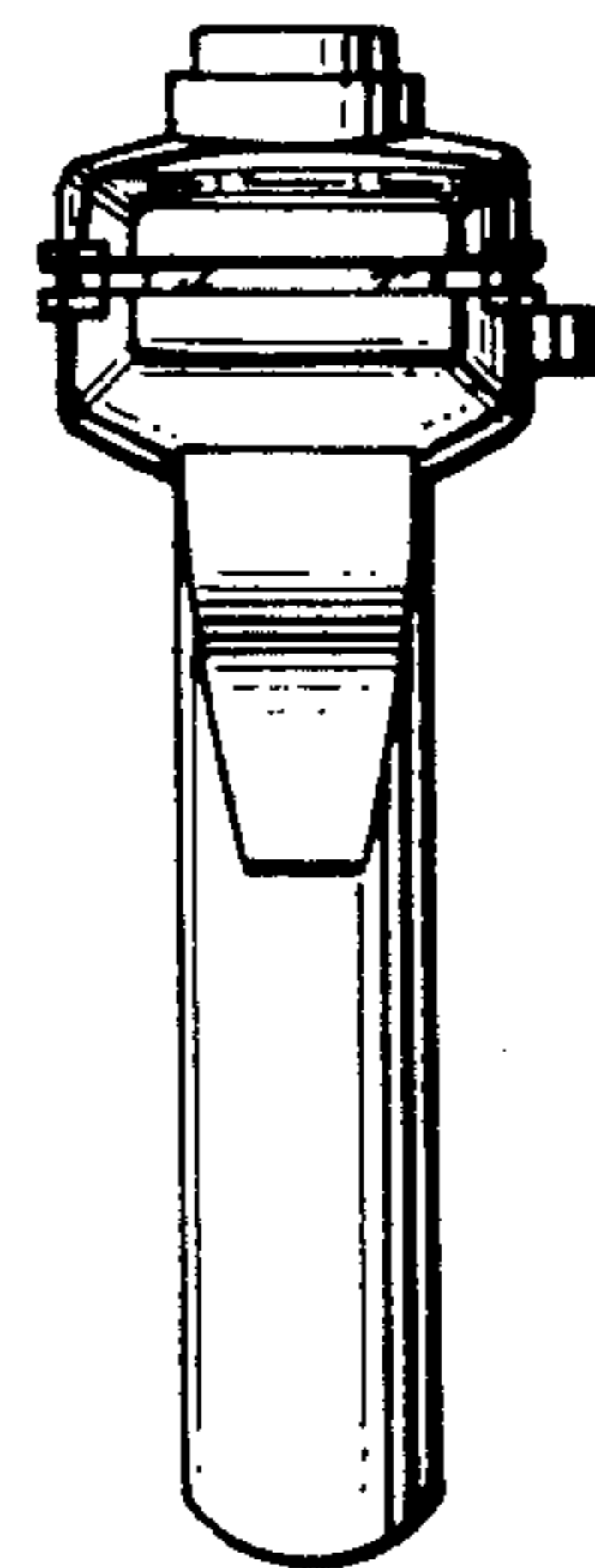
*Fig. 3.*



*Fig. 5.*



*Fig. 4.*



*Fig. 6.*