

[54] ELECTRONIC GAME HOUSING

[56] References Cited

[75] Inventors: Jeffrey P. Heuel, Riverside; William F. Palisek, Mundelein; Lee Radke, Lake Zurich, all of Ill.

U.S. PATENT DOCUMENTS

D. 253,786 12/1979 Montague D21/32

Primary Examiner—Melvin B. Feifer
Attorney, Agent, or Firm—Dressler, Goldsmith, Shore, Sutker & Milnamow, Ltd.

[73] Assignee: Interstate Industries, Inc., Mundelein, Ill.

[57] CLAIM

The ornamental design for an electronic game housing, substantially as shown.

[**] Term: 14 Years

[21] Appl. No.: 53,453

DESCRIPTION

[22] Filed: Jul. 5, 1979

FIG. 1 is a top perspective view of an electronic game housing showing our new design;
FIG. 2 is a bottom plan view thereof;
FIG. 3 is a top plan view thereof;
FIG. 4 is a right side elevational view thereof;
FIG. 5 is a left side elevational view thereof.

[51] Int. Cl. D21-01

[52] U.S. Cl. D21/13; D21/33

[58] Field of Search D21/13, 32, 33; D19/62; D18/7; 273/1 E, 85 G, 138 A

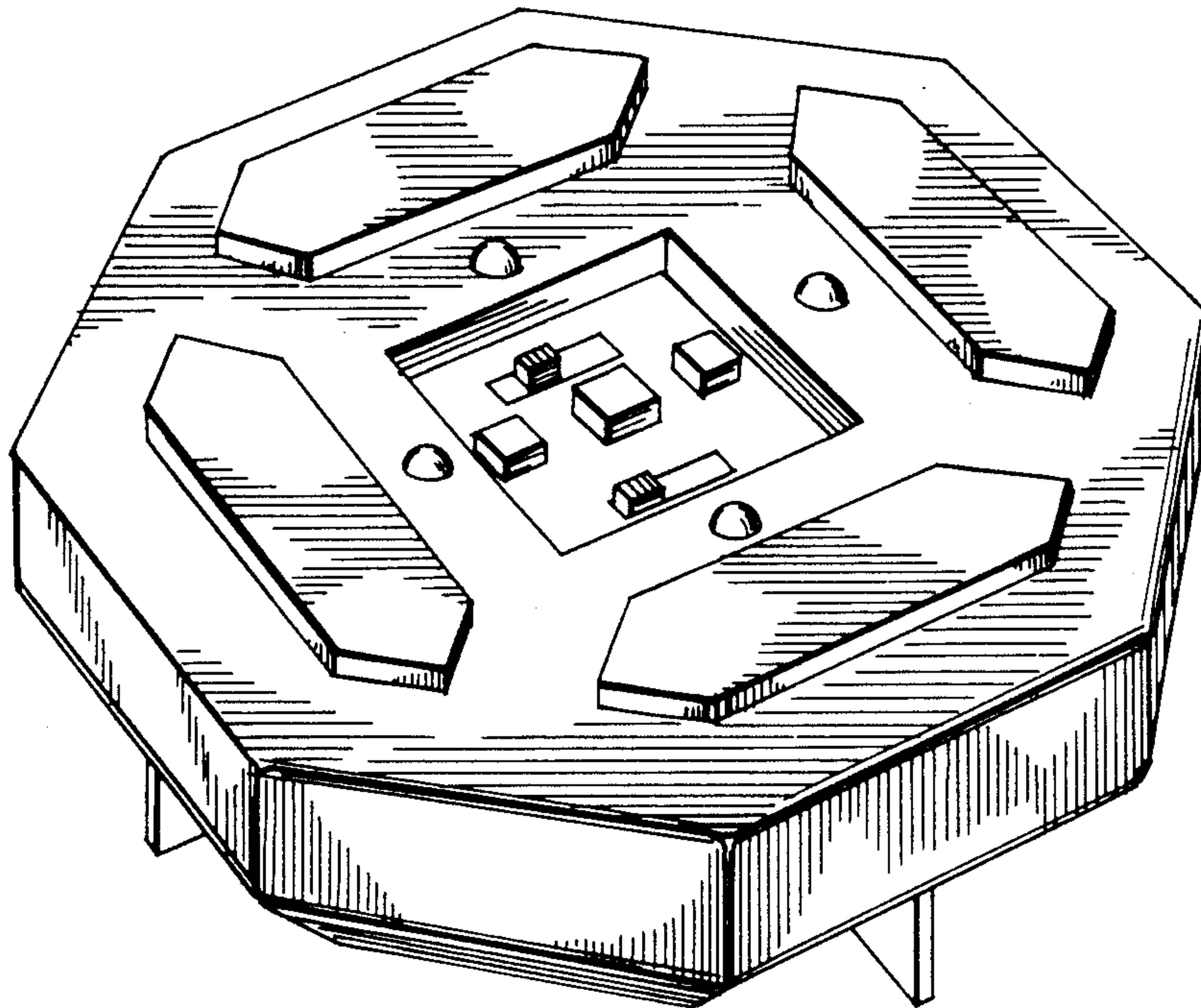


Fig. 1

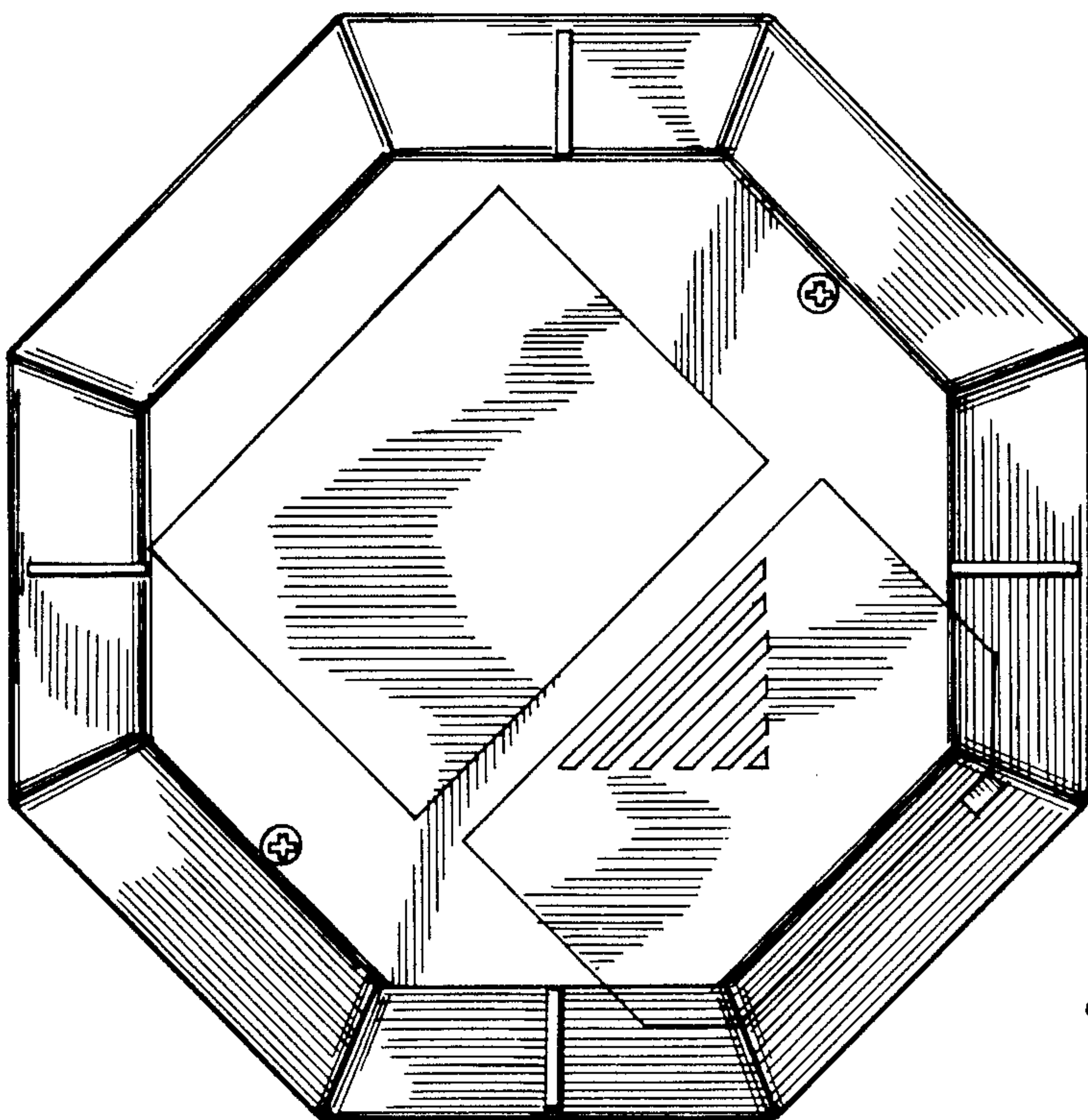
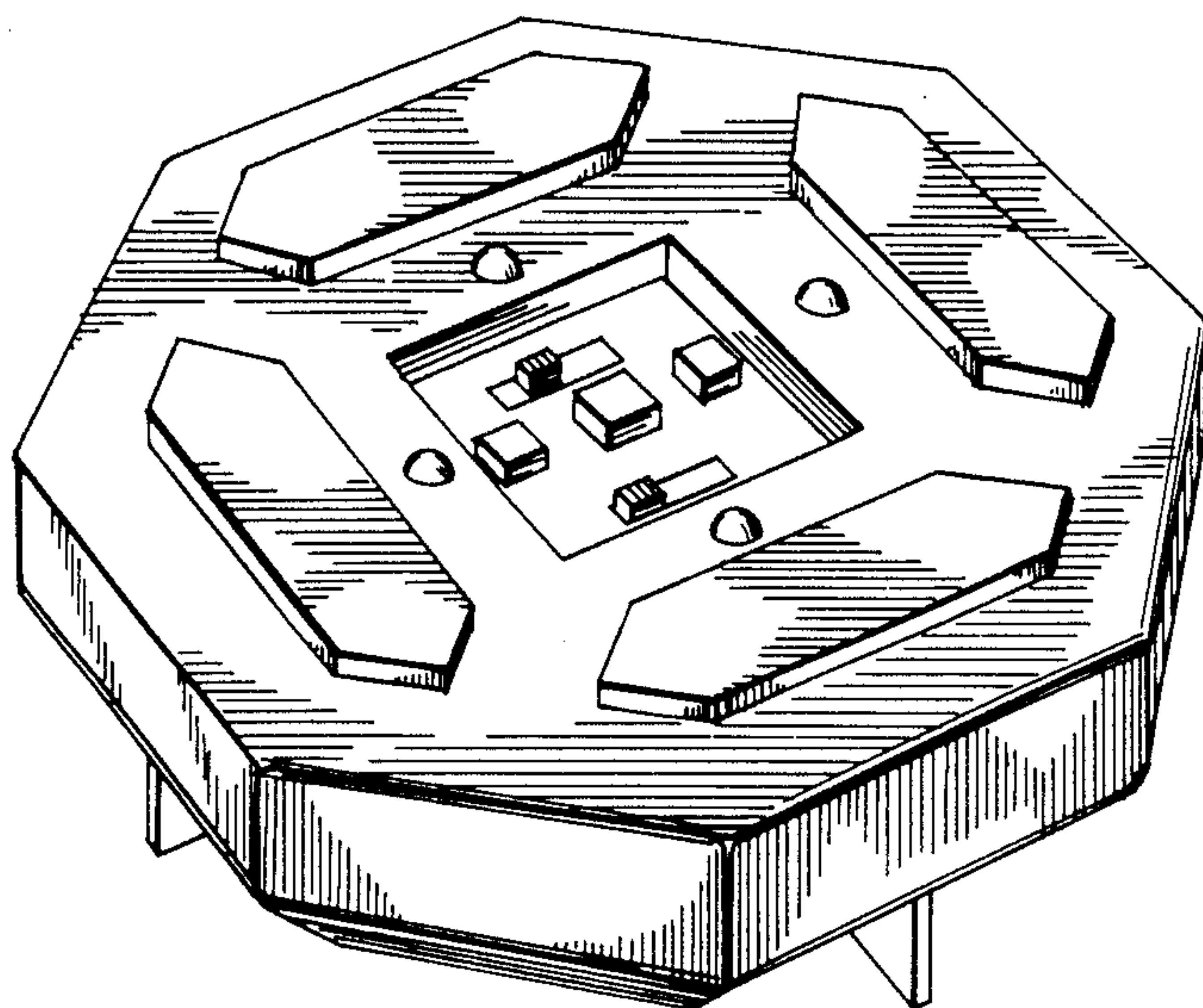


Fig. 2

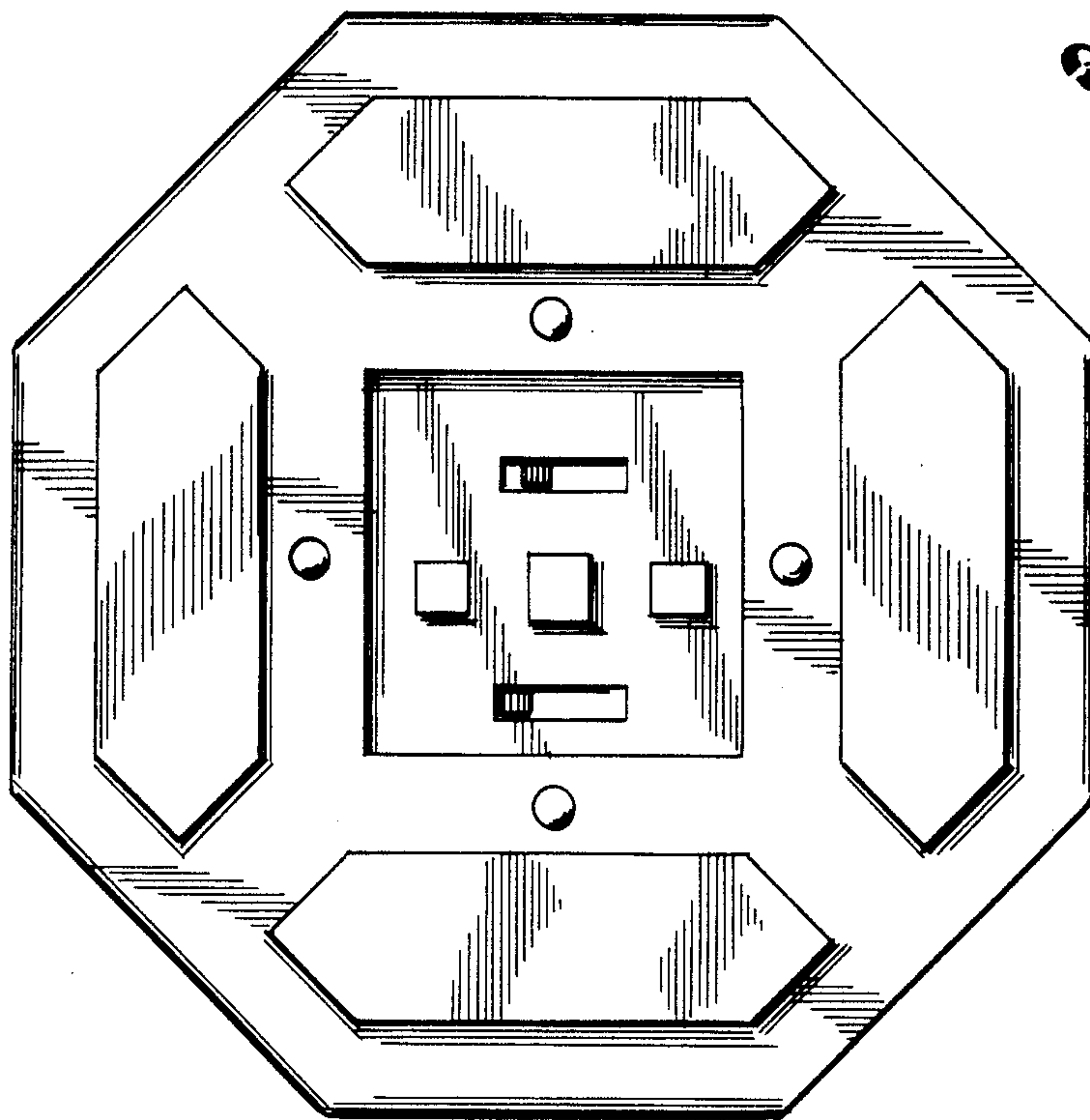


Fig. 3

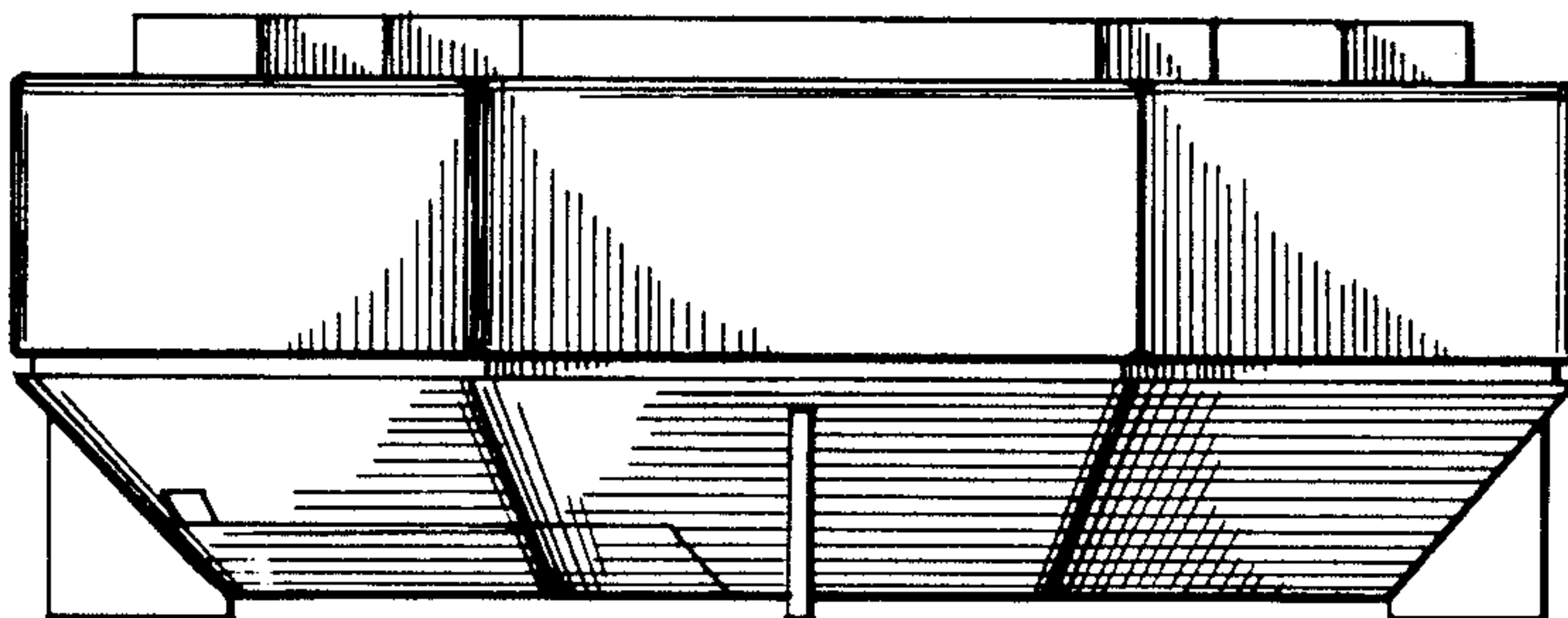


Fig. 4

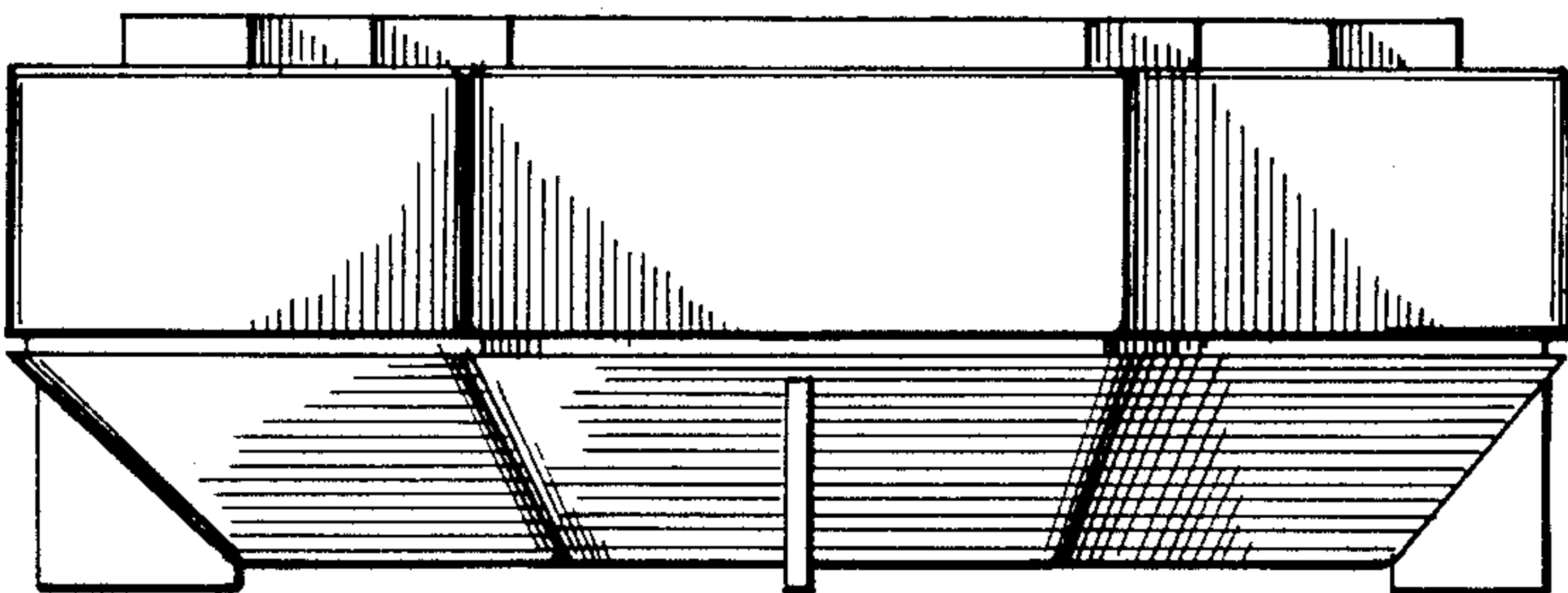


Fig. 5