

[54] SWIMMING POOL VACUUM HEAD

[75] Inventors: **Kenneth E. Price**, 1534 Channelwood Dr., Whittier, Calif. 90601; **Isao Sasaki**, Altadena, Calif.

[73] Assignee: **Kenneth E. Price**, Whittier, Calif.

[**] Term: **14 Years**

[21] Appl. No.: **964,577**

[22] Filed: **Nov. 2, 1978**

[51] Int. Cl. **D15-05**

[52] U.S. Cl. **D15/63**

[58] Field of Search D15/62, 63, 64; 15/1.7, 15/246.5

[56] **References Cited**

U.S. PATENT DOCUMENTS

| | | | |
|-----------|--------|--------------|--------|
| 3,254,355 | 6/1966 | Shaw | 15/1.7 |
| 3,755,842 | 9/1973 | Kislig | 15/1.7 |
| 3,805,309 | 4/1974 | Levack | 15/1.7 |

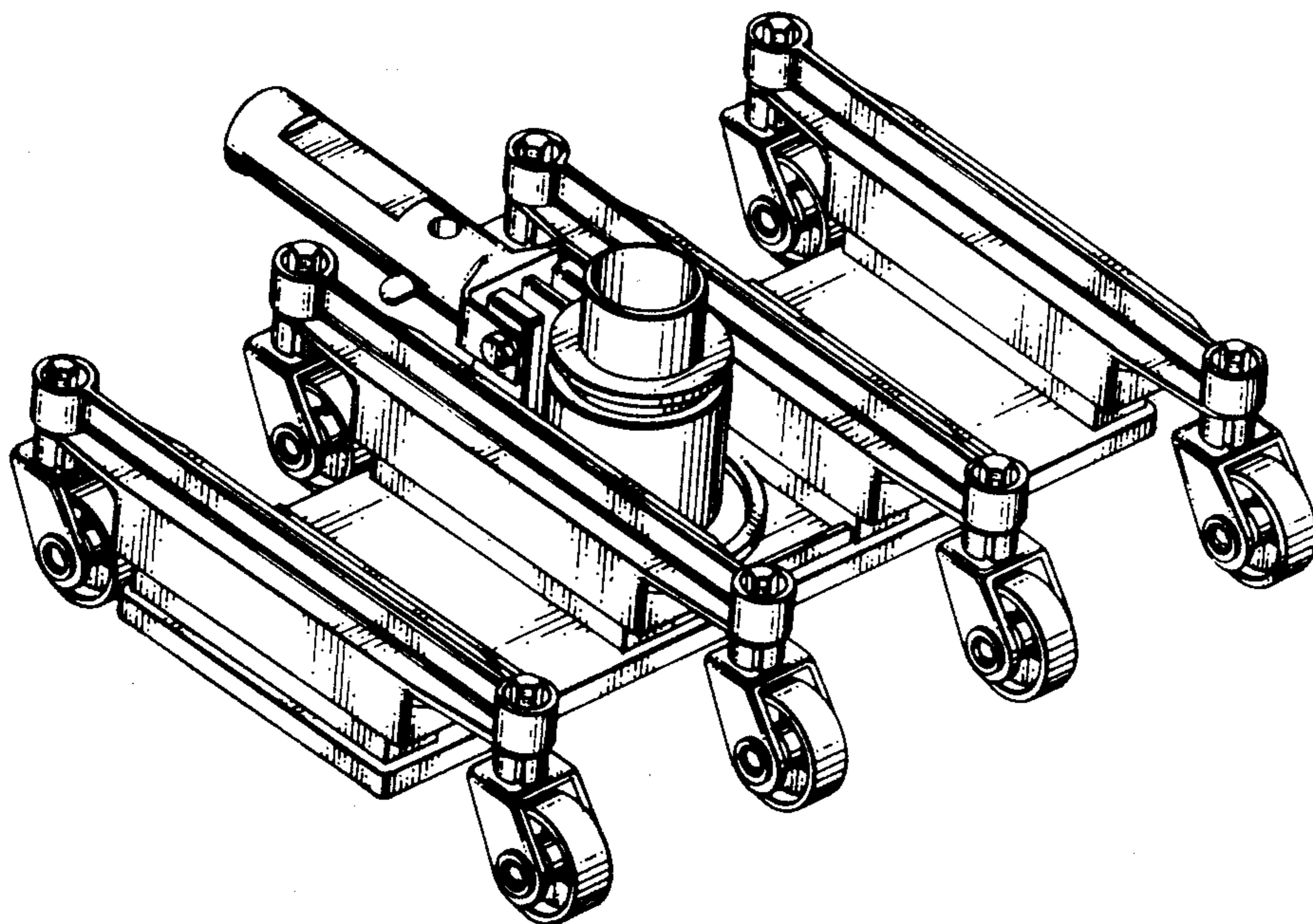
Primary Examiner—Catherine E. Kemper
Attorney, Agent, or Firm—Christie, Parker & Hale

[57] **CLAIM**

The ornamental design for a swimming pool vacuum head, substantially as shown and described.

DESCRIPTION

FIG. 1 is a perspective view of a swimming pool vacuum head showing our new design; FIG. 2 is a top plan view thereof; FIG. 3 is a bottom plan view thereof; FIG. 4 is a rear elevational view thereof; FIG. 5 is a front elevational view thereof; FIG. 6 is a left end elevational view thereof, a right end elevation view thereof being a mirror image of FIG. 6; FIG. 7 is a perspective view of another swimming pool vacuum head showing a second embodiment of our new design, the sole differences being in the length of the head between its ends and in the number of supporting wheels provided; and FIG. 8 is a bottom plan view of the swimming pool vacuum head shown in FIG. 7.



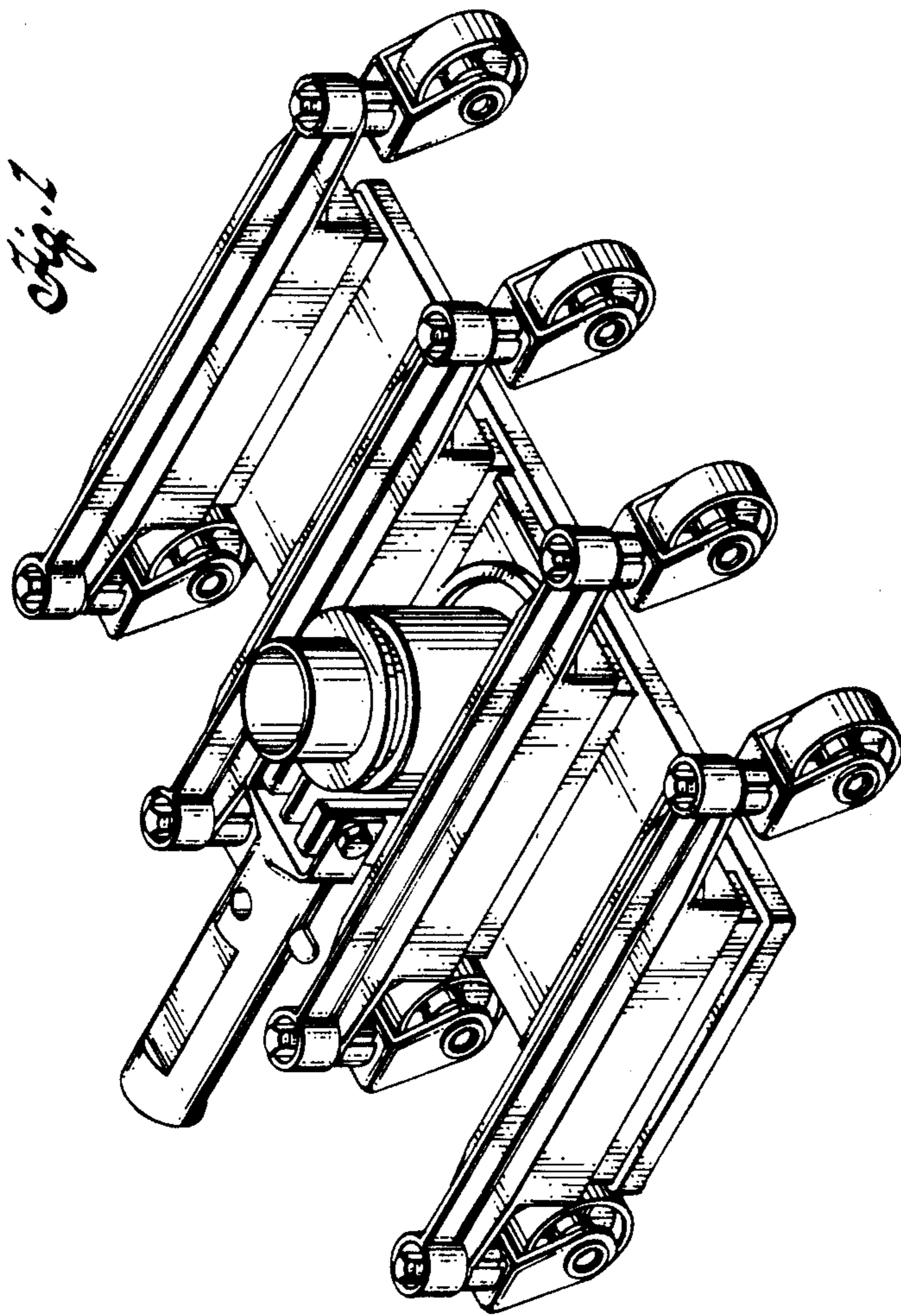
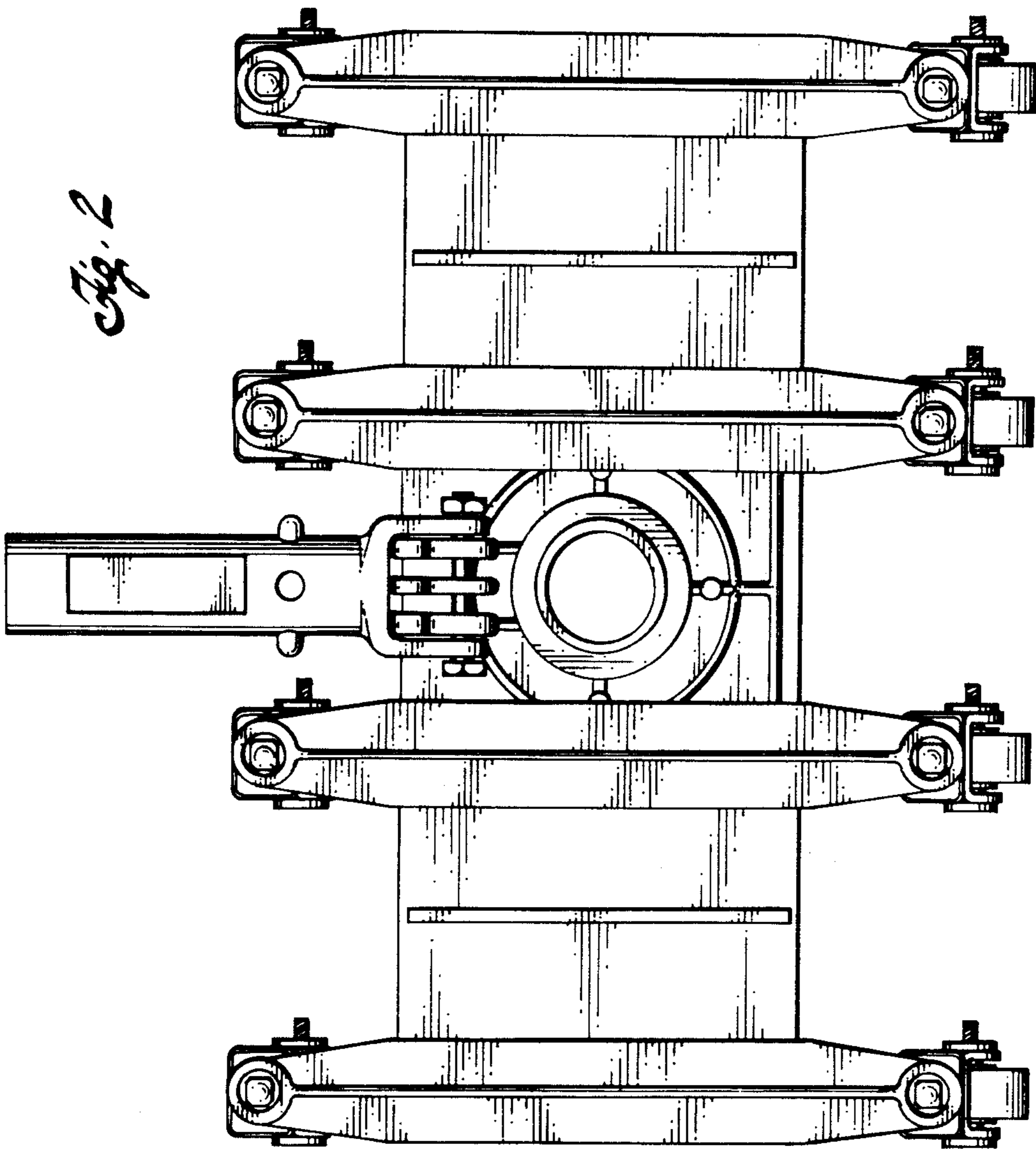


Fig. 2



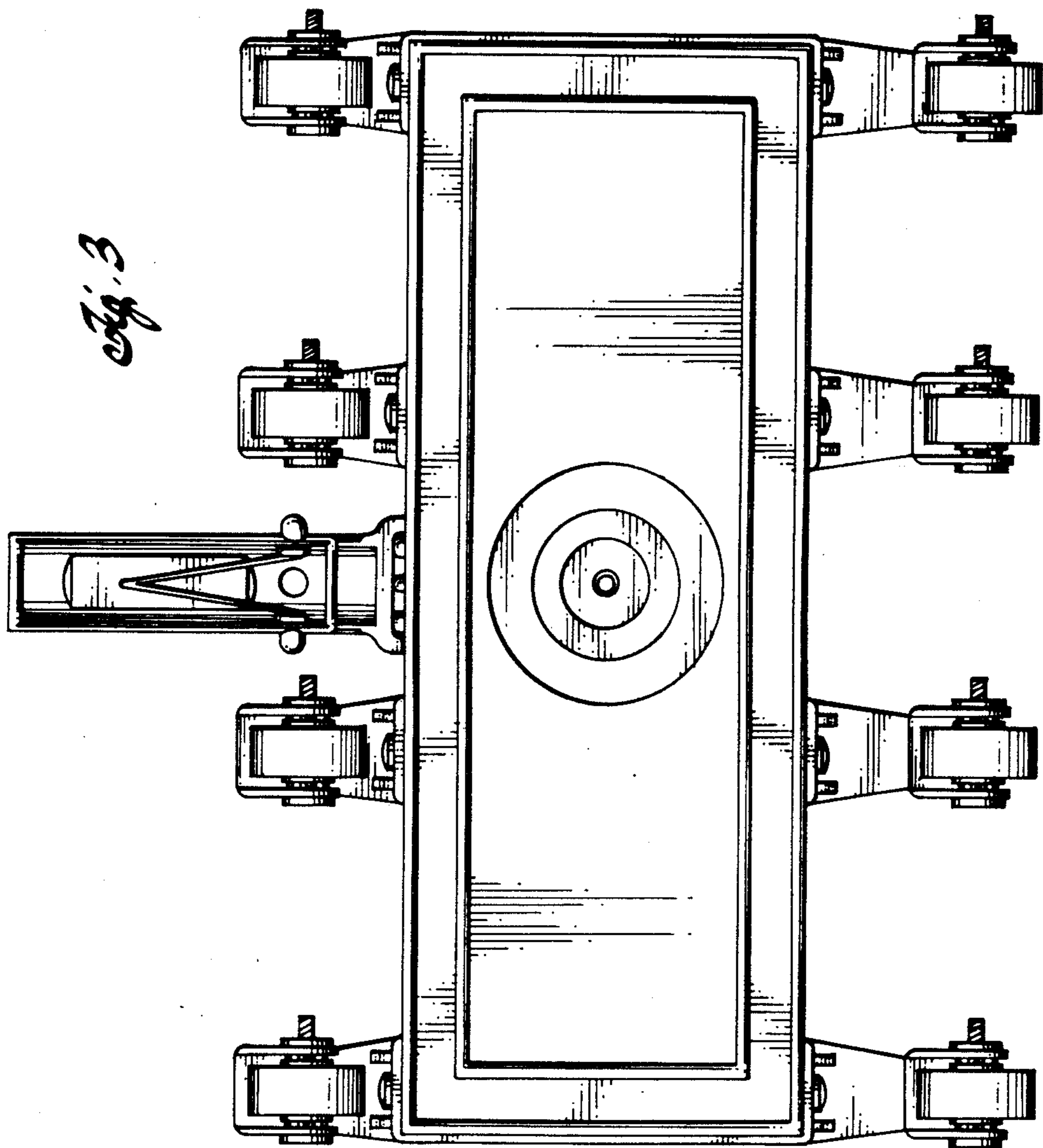


Fig. 4

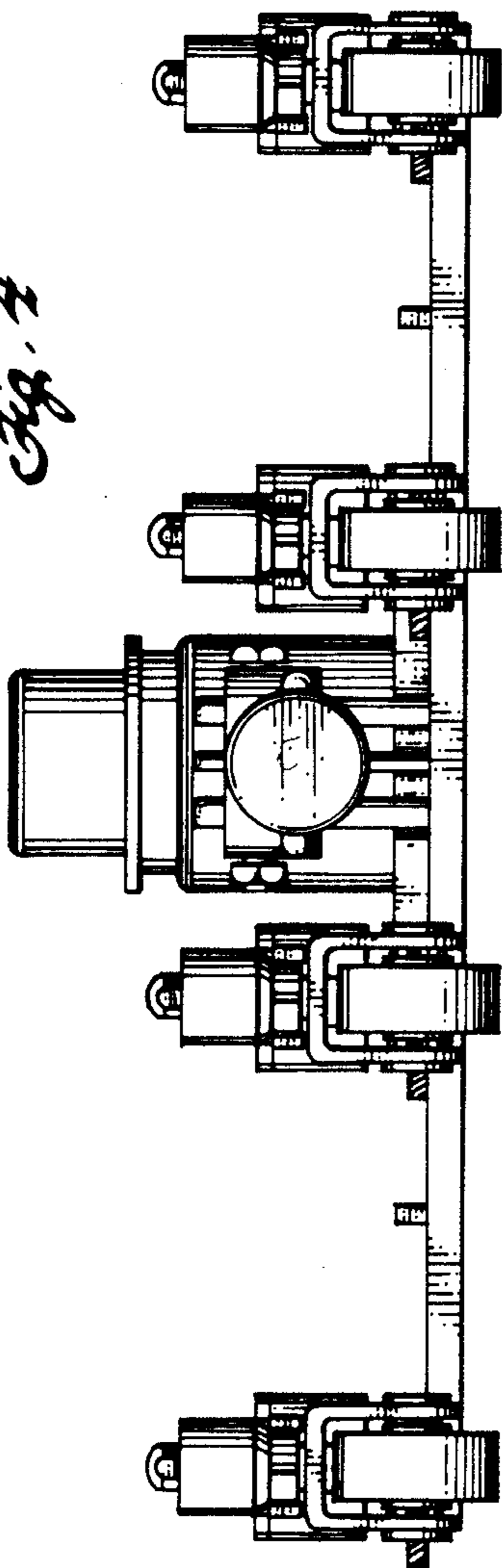


Fig. 5

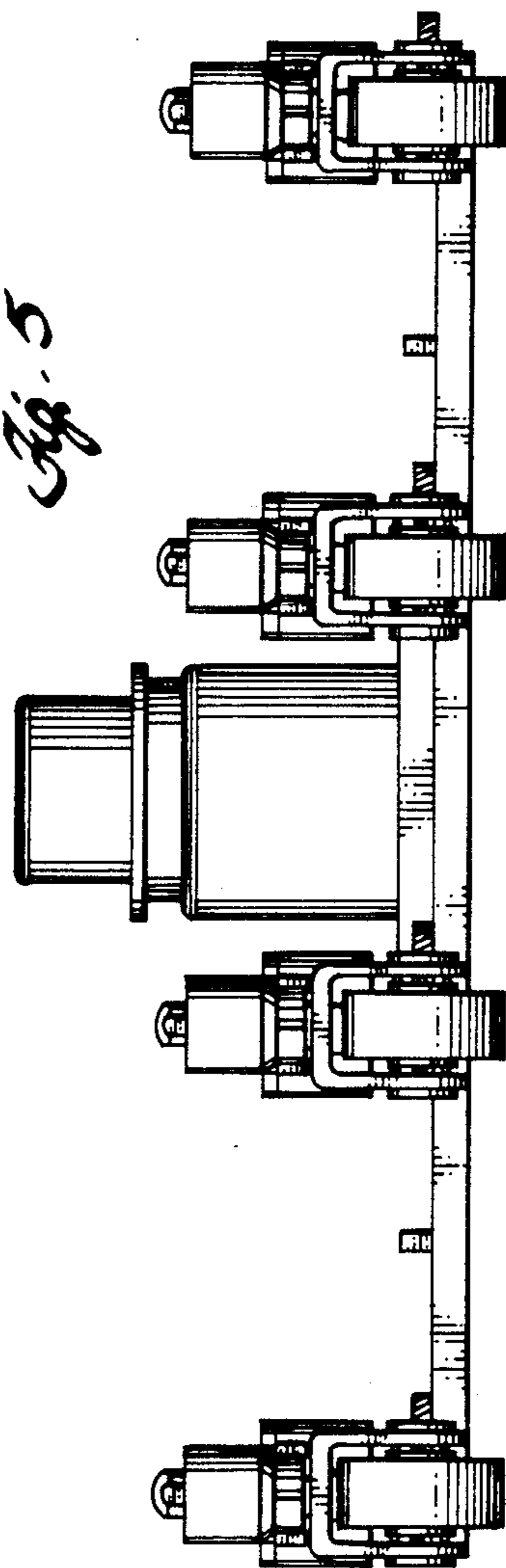
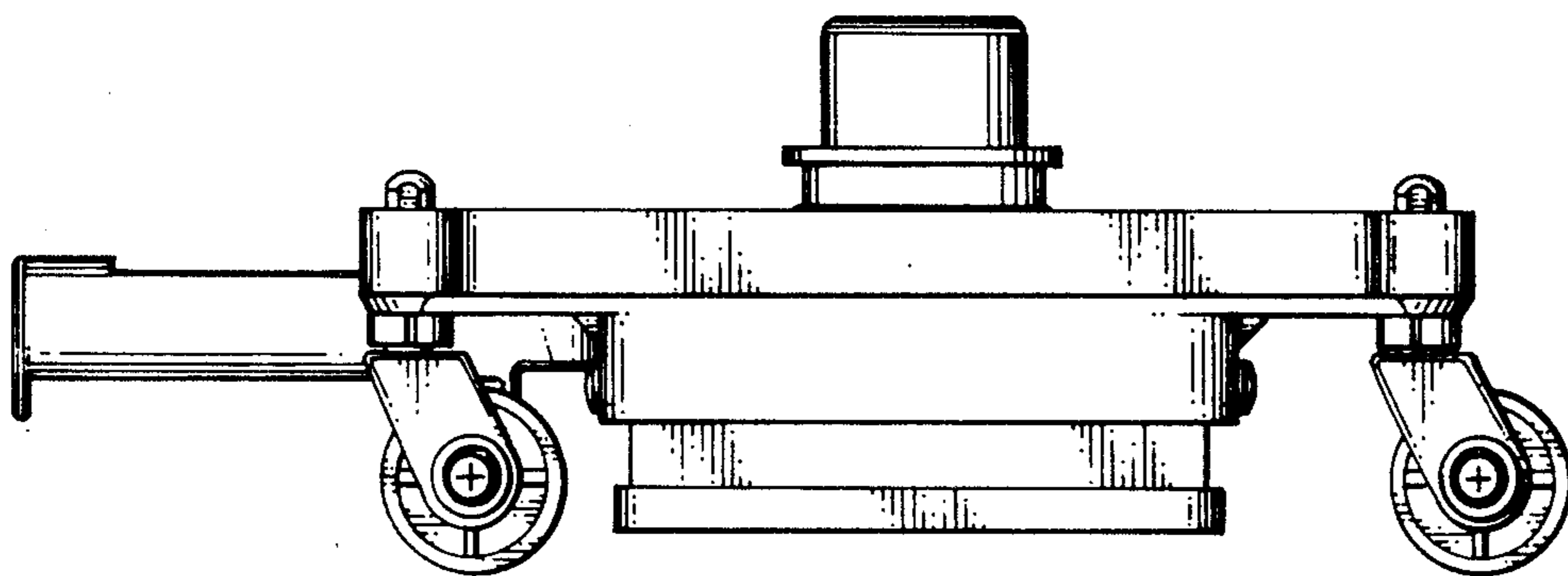


Fig. 6



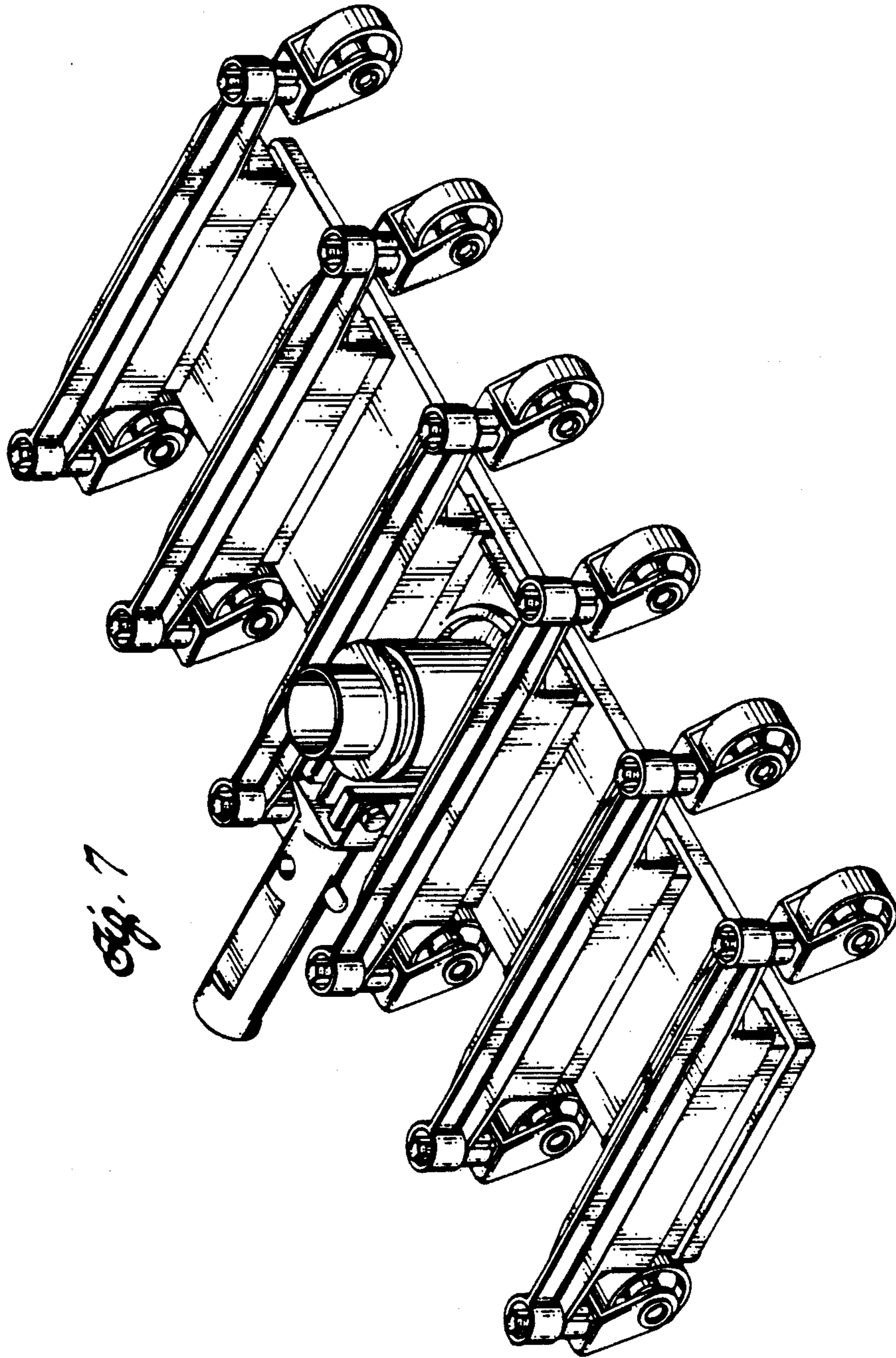


Fig. 7

