

[54] PRIMING VALVE UNIT FOR INTERNAL COMBUSTION ENGINES

[56] References Cited

U.S. PATENT DOCUMENTS

3,750,639 8/1973 DiGirolamo ..... 123/187.5 R

Primary Examiner—James M. Gandy  
Attorney, Agent, or Firm—Nicholas J. Garofalo

[76] Inventor: John E. Lovret, 145-20 243rd St.,  
Rosedale, N.Y. 11422

[57] CLAIM

The ornamental design for a priming valve unit for internal combustion engines, as shown.

[\*\*] Term: 14 Years

DESCRIPTION

[21] Appl. No.: 2,375

FIG. 1 is a side elevational view of a priming valve unit for internal combustion engines embodying my new design;

[22] Filed: Jan. 10, 1979

FIG. 2 is a front end elevational view thereof;

FIG. 3 is a rear end elevational view thereof;

FIG. 4 is a side elevational view thereof opposite to that of FIG. 1;

[51] Int. Cl. .... D15-01

[52] U.S. Cl. .... D15/5

[58] Field of Search ..... D15/5; D23/19-22,  
D23/40; 123/187.5 R

FIG. 5 is a top plan view thereof; and

FIG. 6 is a bottom plan view thereof.

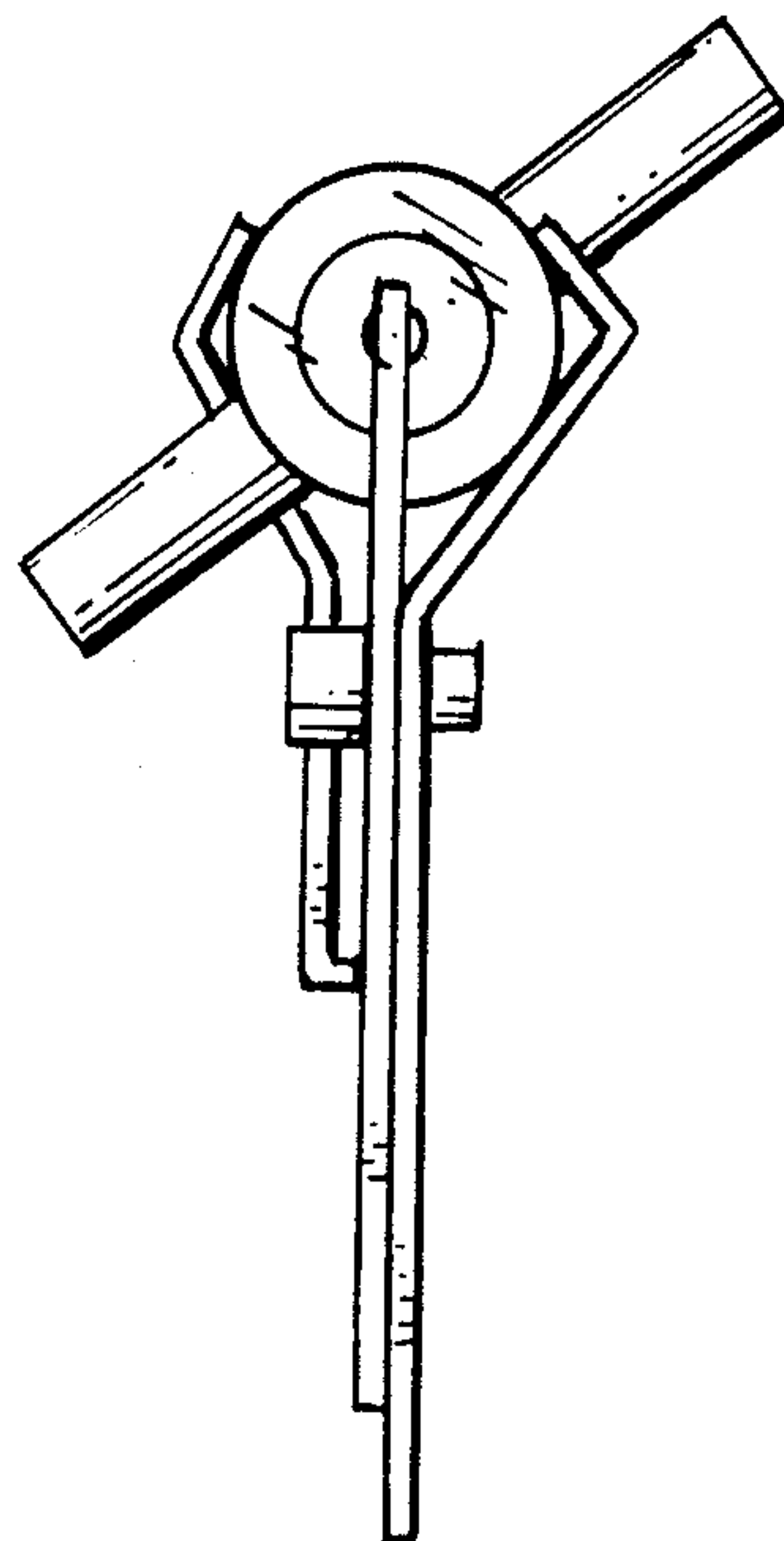
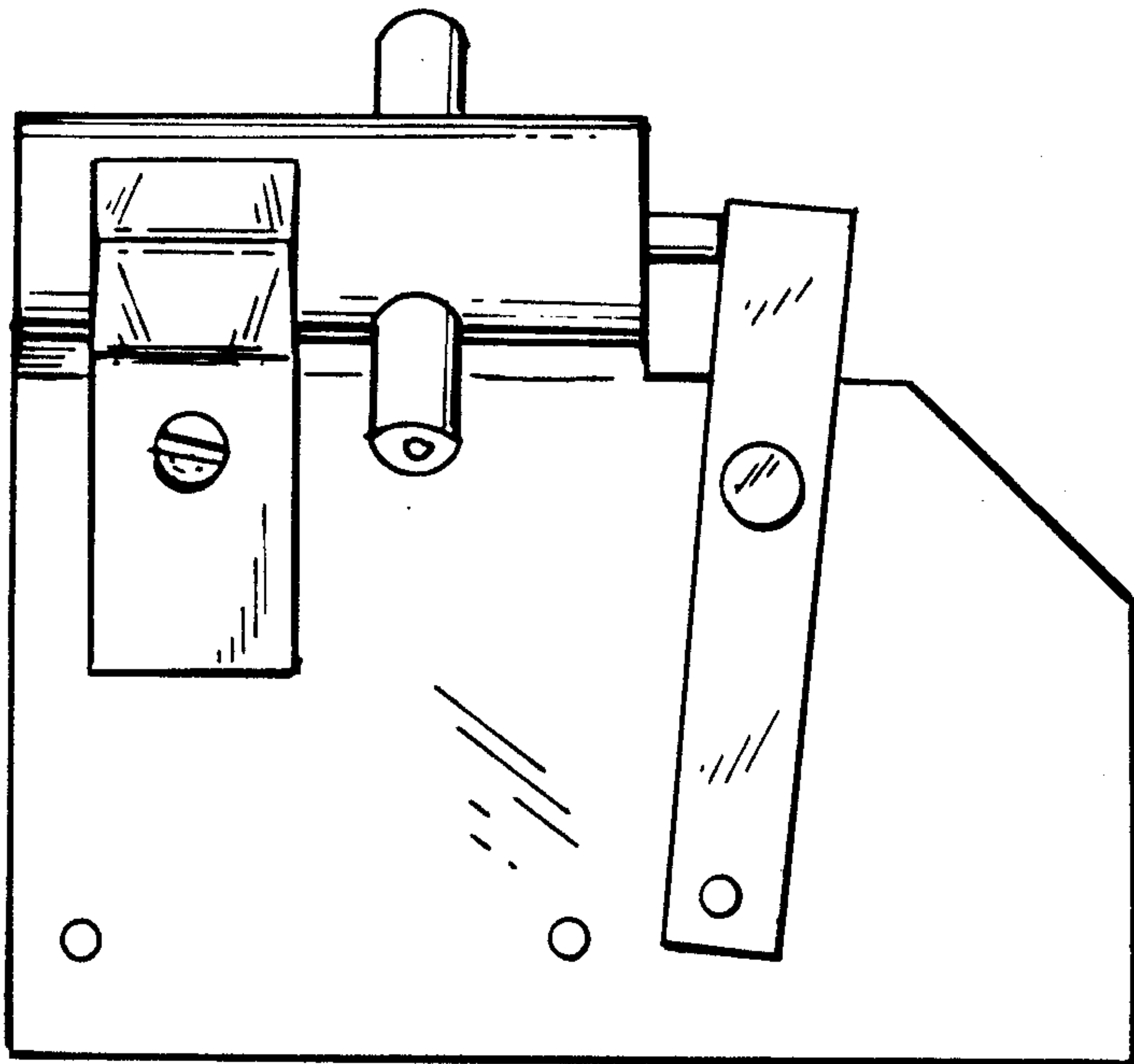


FIG. 1

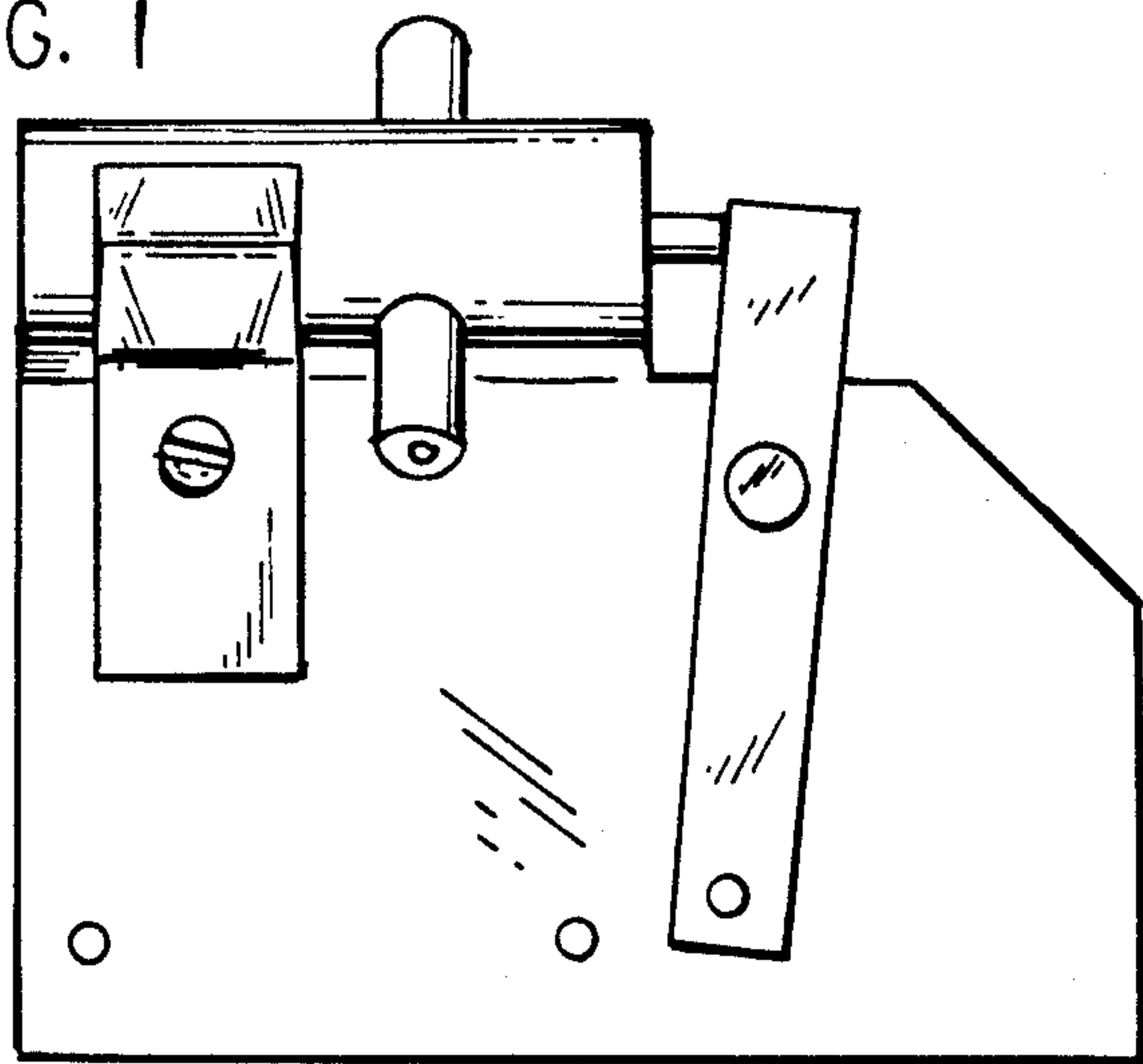


FIG. 2

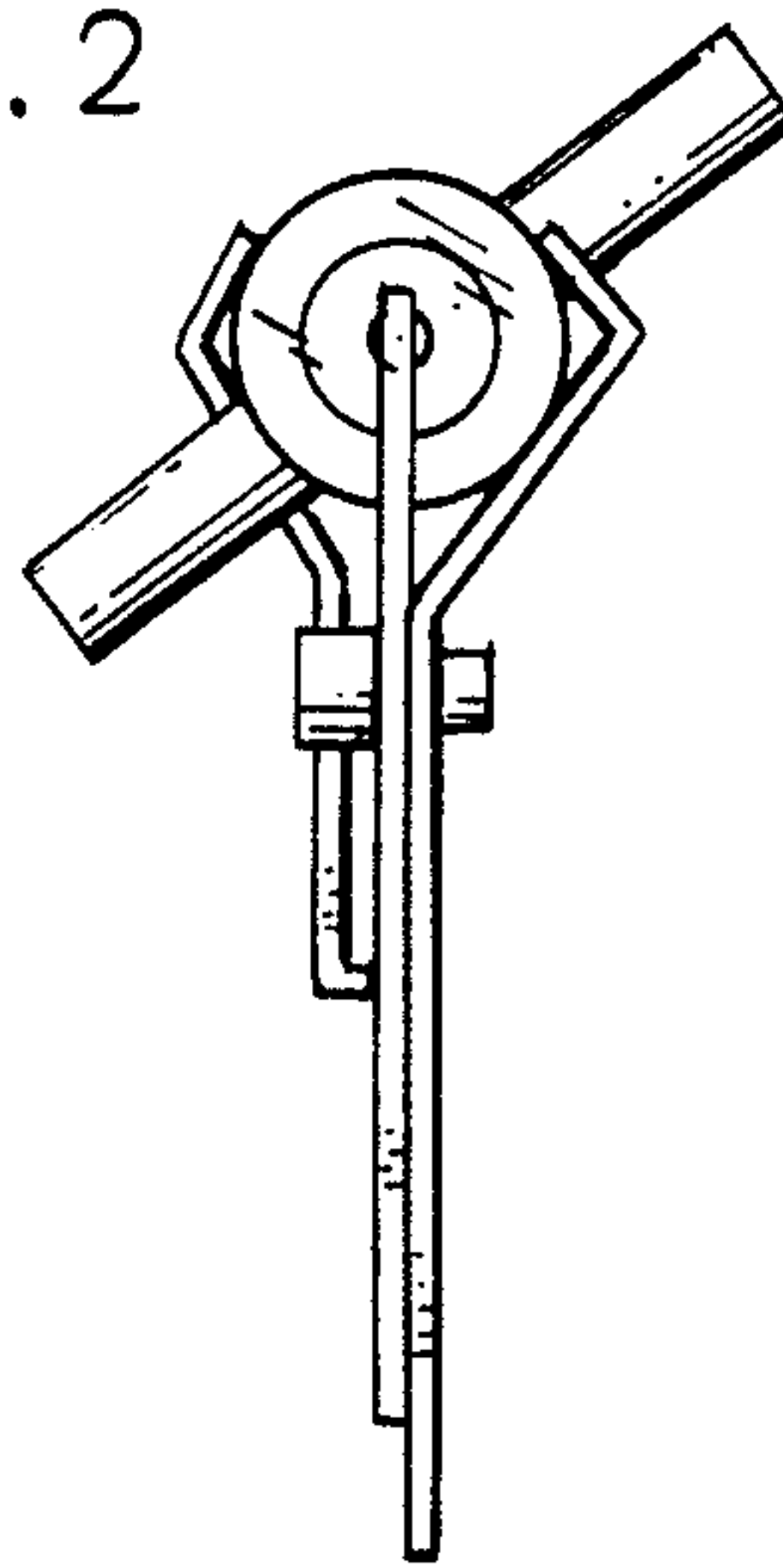


FIG. 3

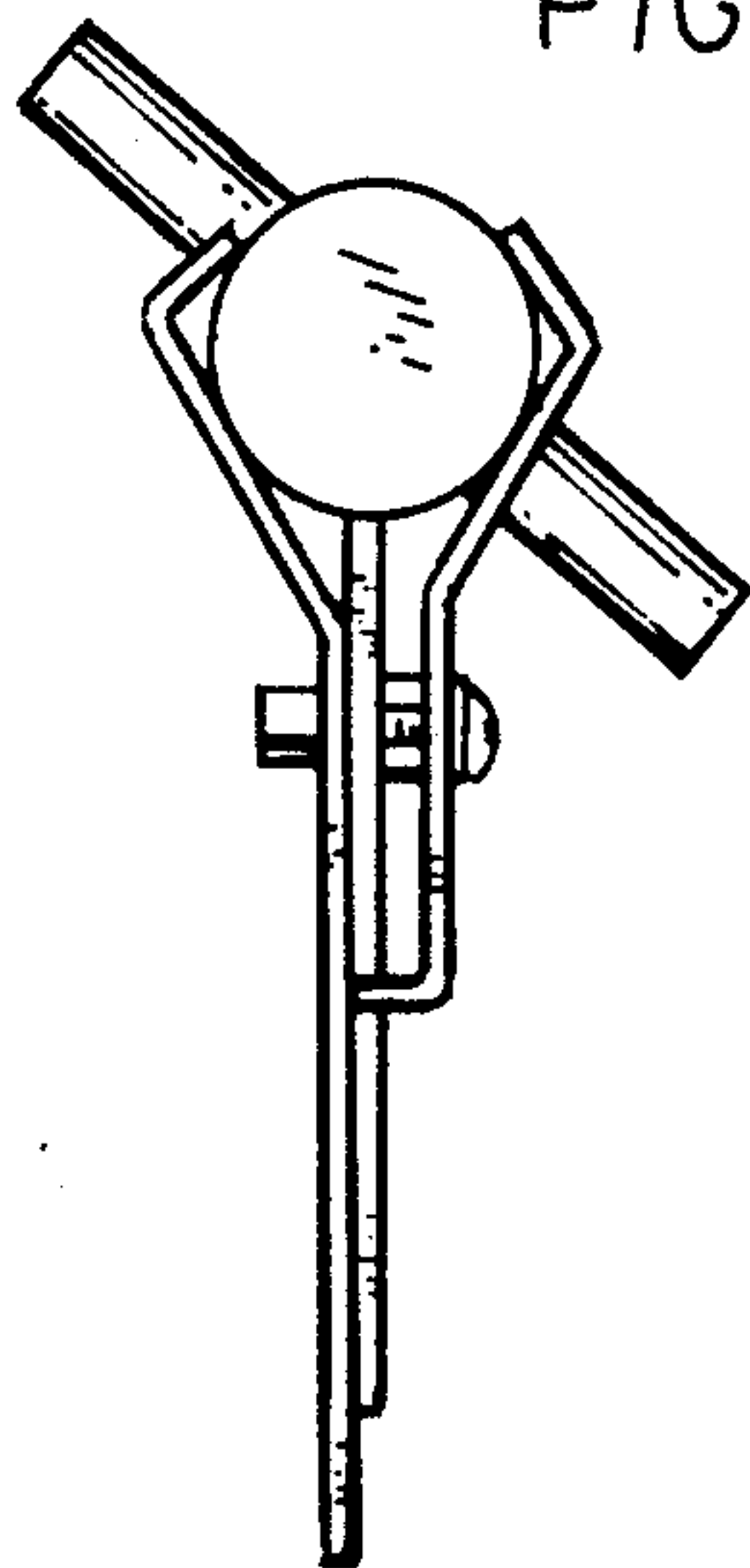


FIG. 4

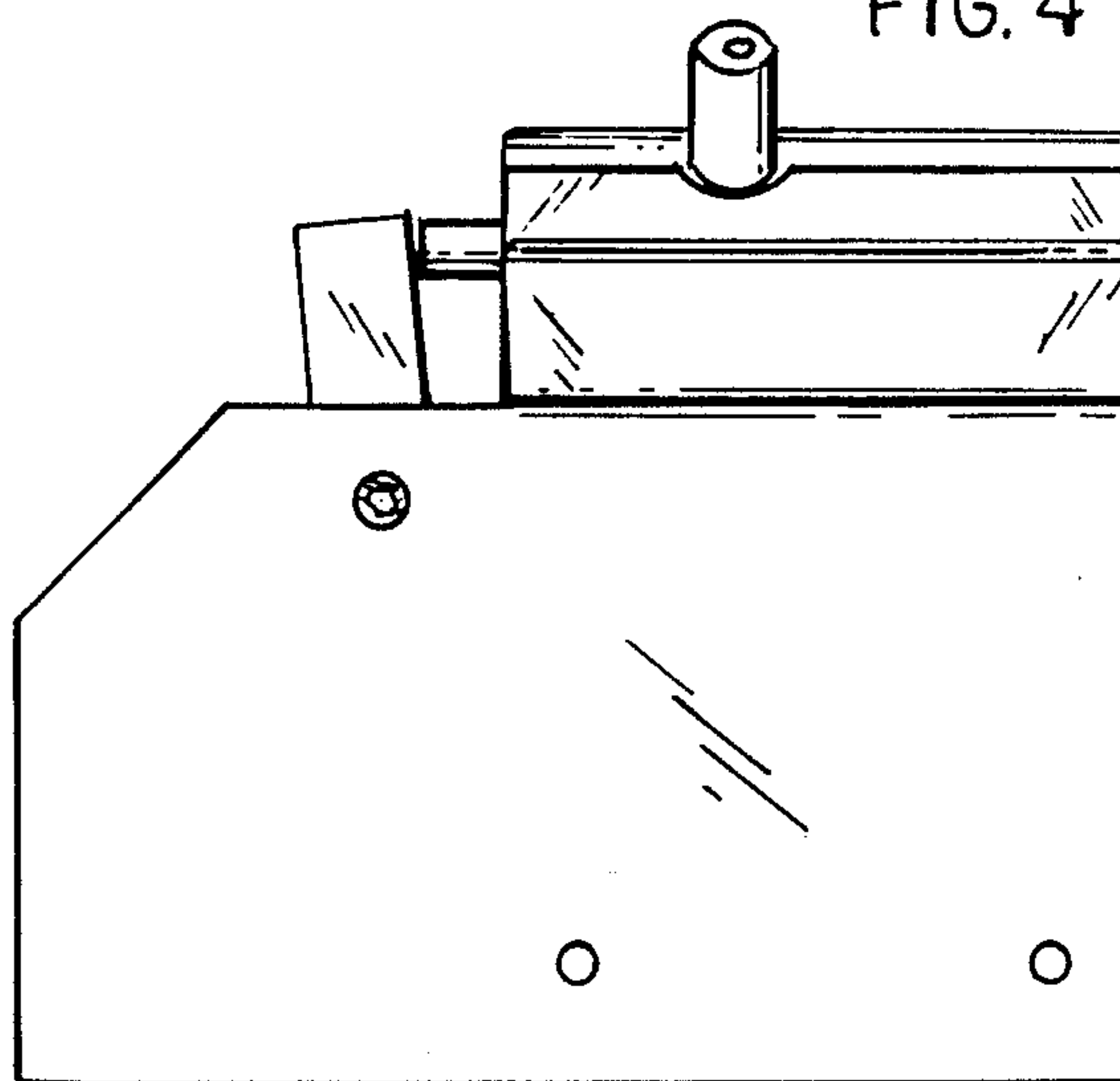


FIG. 5

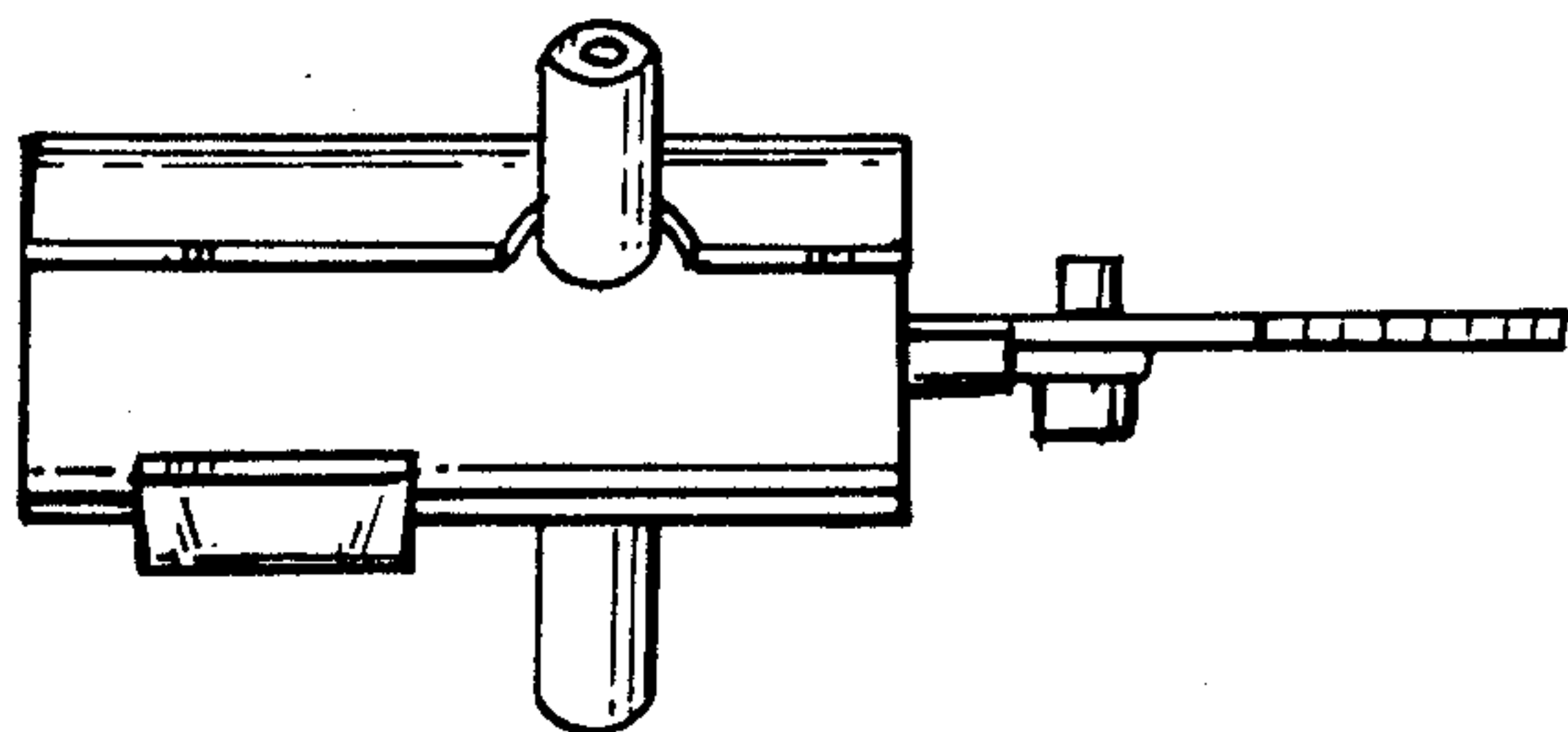


FIG. 6

