

[54] PICKUP TRUCK BED AND TAILGATE LINER

[75] Inventors: **Gerald J. Weis**, Dallas, Tex.; **Donald L. Munoz**, Bloomfield Hills; **Daniel Grote**, Algonac, both of Mich.

[73] Assignee: **Thermoplastics Incorporated**, Warren, Mich.

[**] Term: **14 Years**

[21] Appl. No.: **967,211**

[22] Filed: **Dec. 7, 1978**

[51] Int. Cl. **D12-16**

[52] U.S. Cl. **D12/98; D12/156**

[58] Field of Search **D12/98, 156; 296/39 R**

[56] **References Cited**

U.S. PATENT DOCUMENTS

D. 249,494 9/1978 Lambitz et al. D12/98
4,111,481 9/1978 Nix et al. 296/39 R

Primary Examiner—James M. Gandy
Attorney, Agent, or Firm—Wallenstein, Spangenberg,
Hattis & Stampel

[57] **CLAIM**

The ornamental design for a pickup truck bed and tailgate liner, as shown and described.

DESCRIPTION

FIG. 1 is a perspective view of a pickup truck bed and tailgate liner showing our new design, it being understood that the broken lines are for illustrative purpose only.

FIG. 2 is a fragmentary perspective view thereof. The outer surface of the sides, front and bottom of the truck bed liner and the outer surface of the tailgate liner are plain and unornamented.

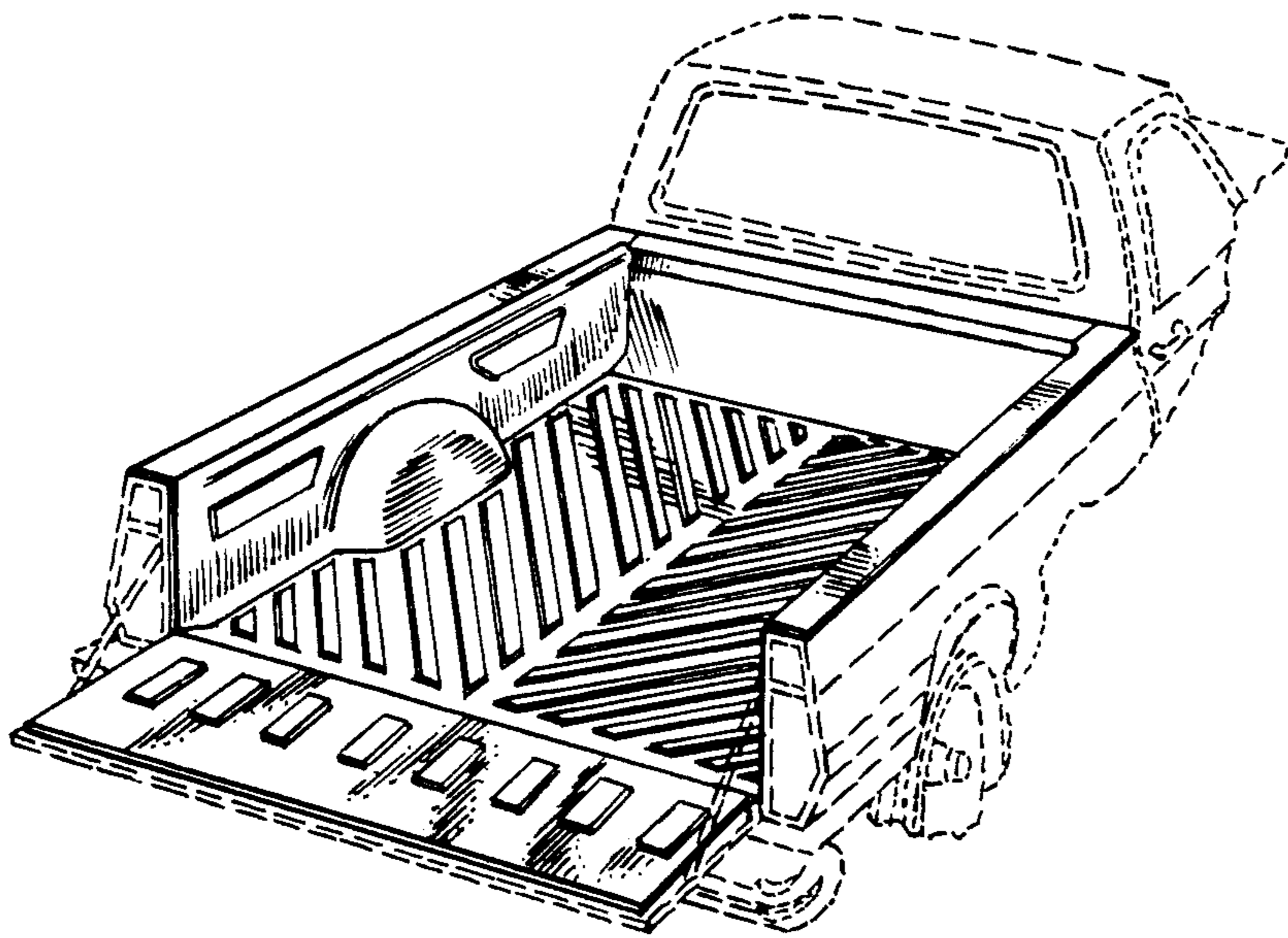


FIG. 1

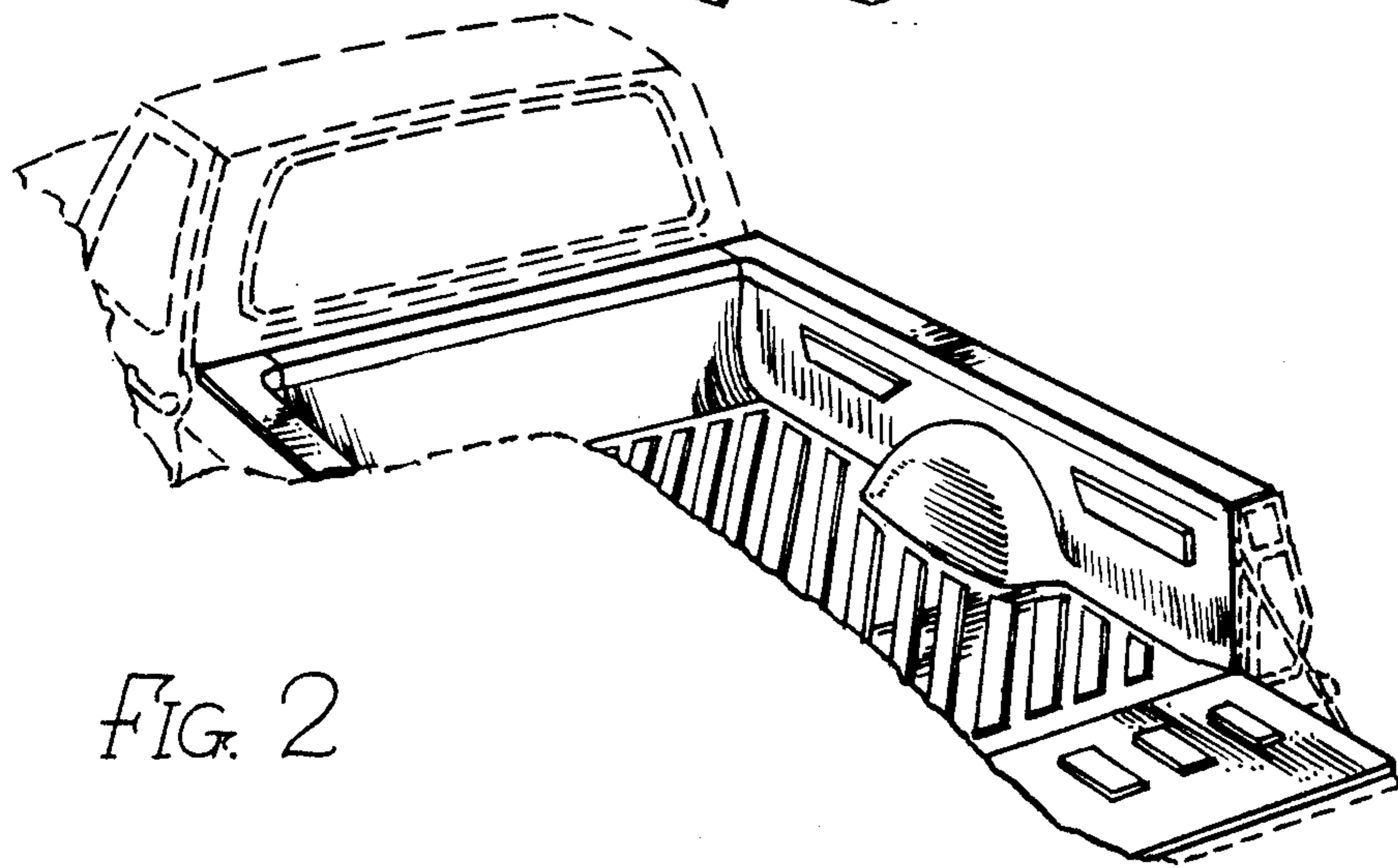
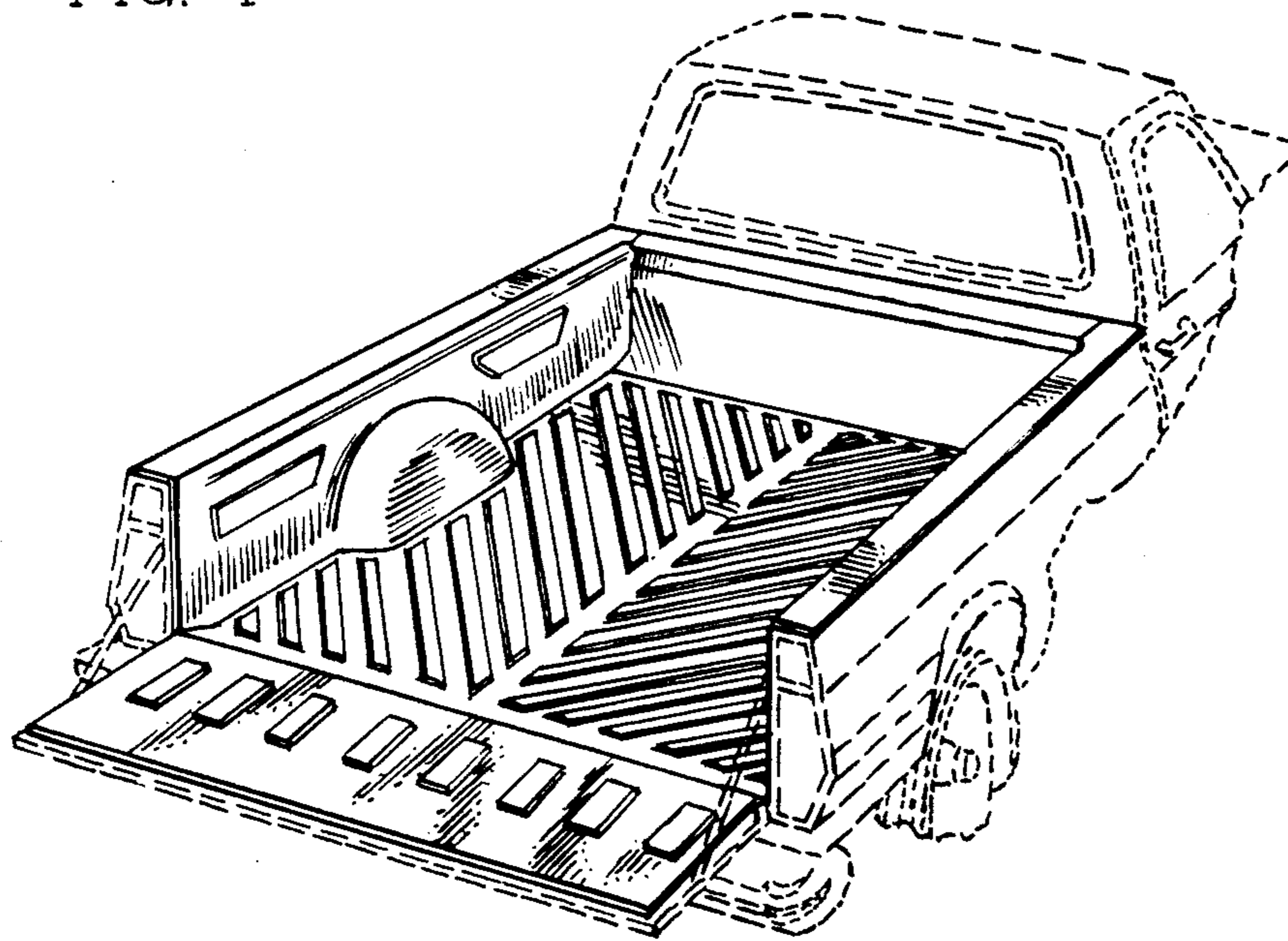


FIG. 2