

[54] STORAGE AND DISPLAY BOX

FOREIGN PATENT DOCUMENTS

[76] Inventor: Austen B. Hufton, 28 W. 614 Washington, West Chicago, Ill. 60185

1190531 10/1959 France 229/44 R

Primary Examiner—George G. Stellar
Attorney, Agent, or Firm—Allegretti, Newitt, Witcoff & McAndrews

[**] Term: 14 Years

[57] CLAIM

[21] Appl. No.: 916,777

The ornamental design for a storage and display box, as shown and described.

[22] Filed: Jun. 19, 1978

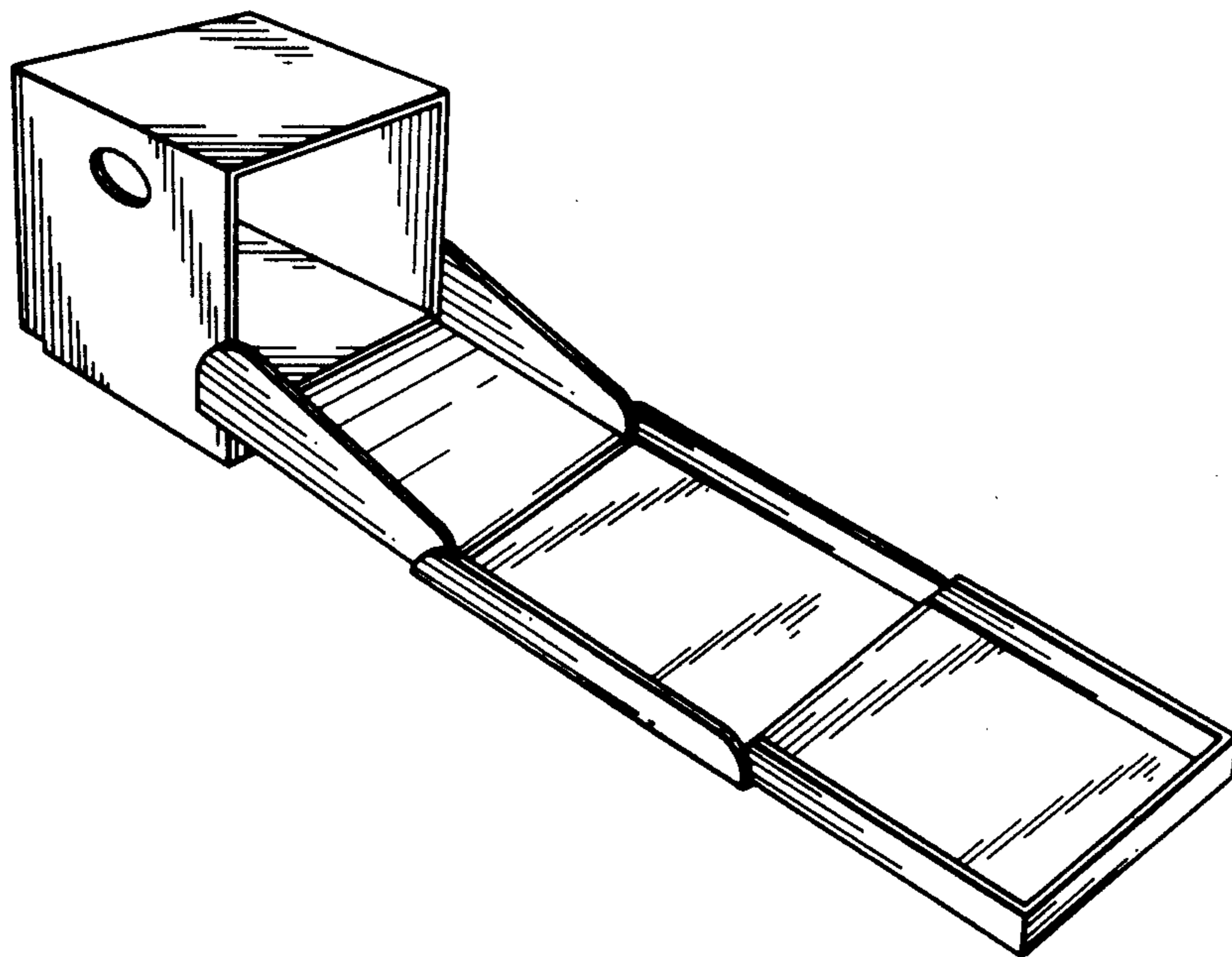
DESCRIPTION

[51] Int. Cl. D9—03
[52] U.S. Cl. D9/423; 229/44 R
[58] Field of Search D9/222, 230-236; 220/334; 222/527; 229/44 R

FIG. 1 is a perspective view of a storage and display box showing my new design;
FIG. 2 is a top plan view thereof;
FIG. 3 is a right side elevational view thereof;
FIG. 4 is a rear elevational view thereof;
FIG. 5 is a left side elevational view thereof;
FIG. 6 is a front elevational view thereof;
FIG. 7 is a bottom plan view thereof; and
FIG. 8 is a perspective view thereof showing a position wherein the closure is in an unfolded position.

[56] References Cited
U.S. PATENT DOCUMENTS

869,793 10/1907 Meinecke 229/44 R
3,043,487 7/1962 Fowle 229/44 R



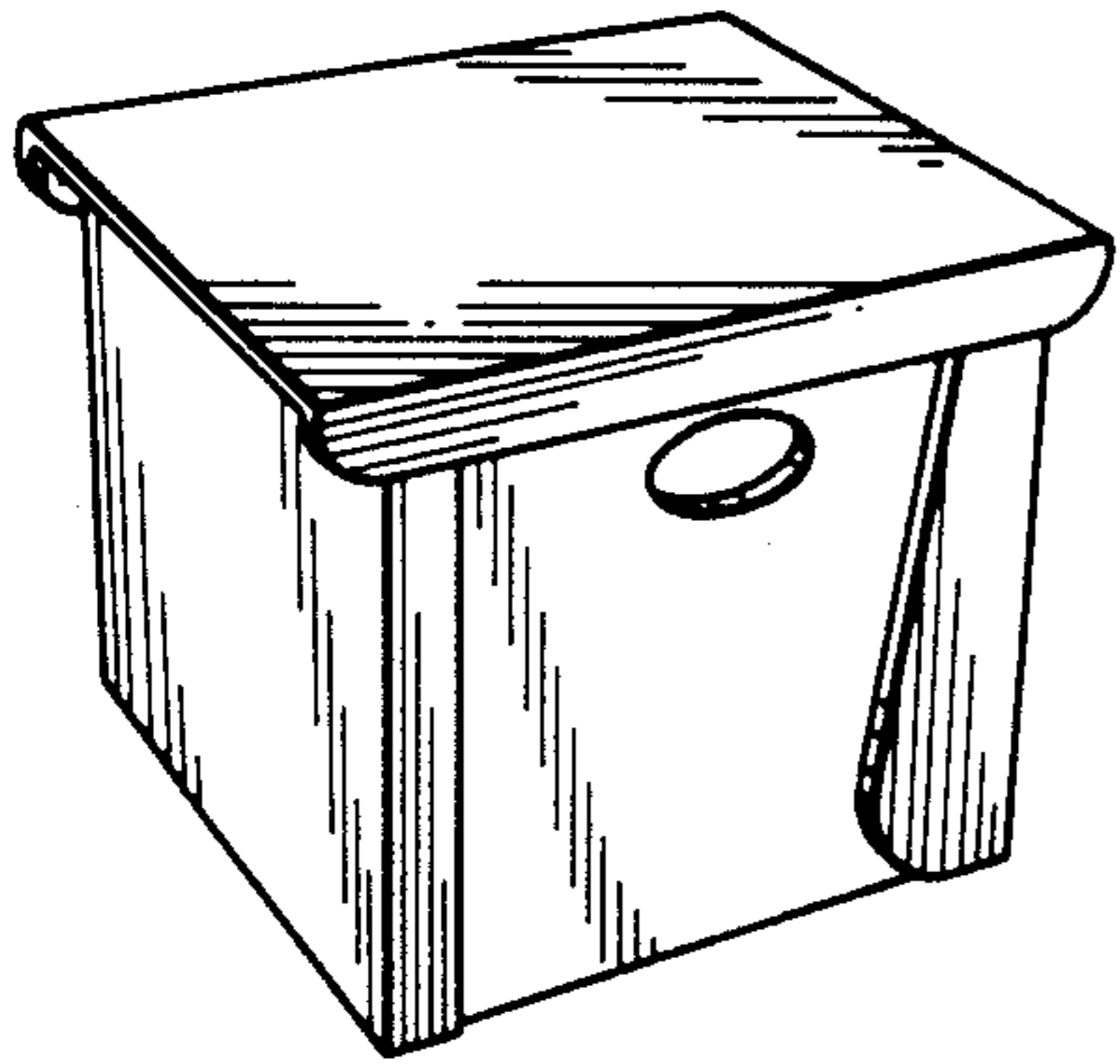


FIG. 1

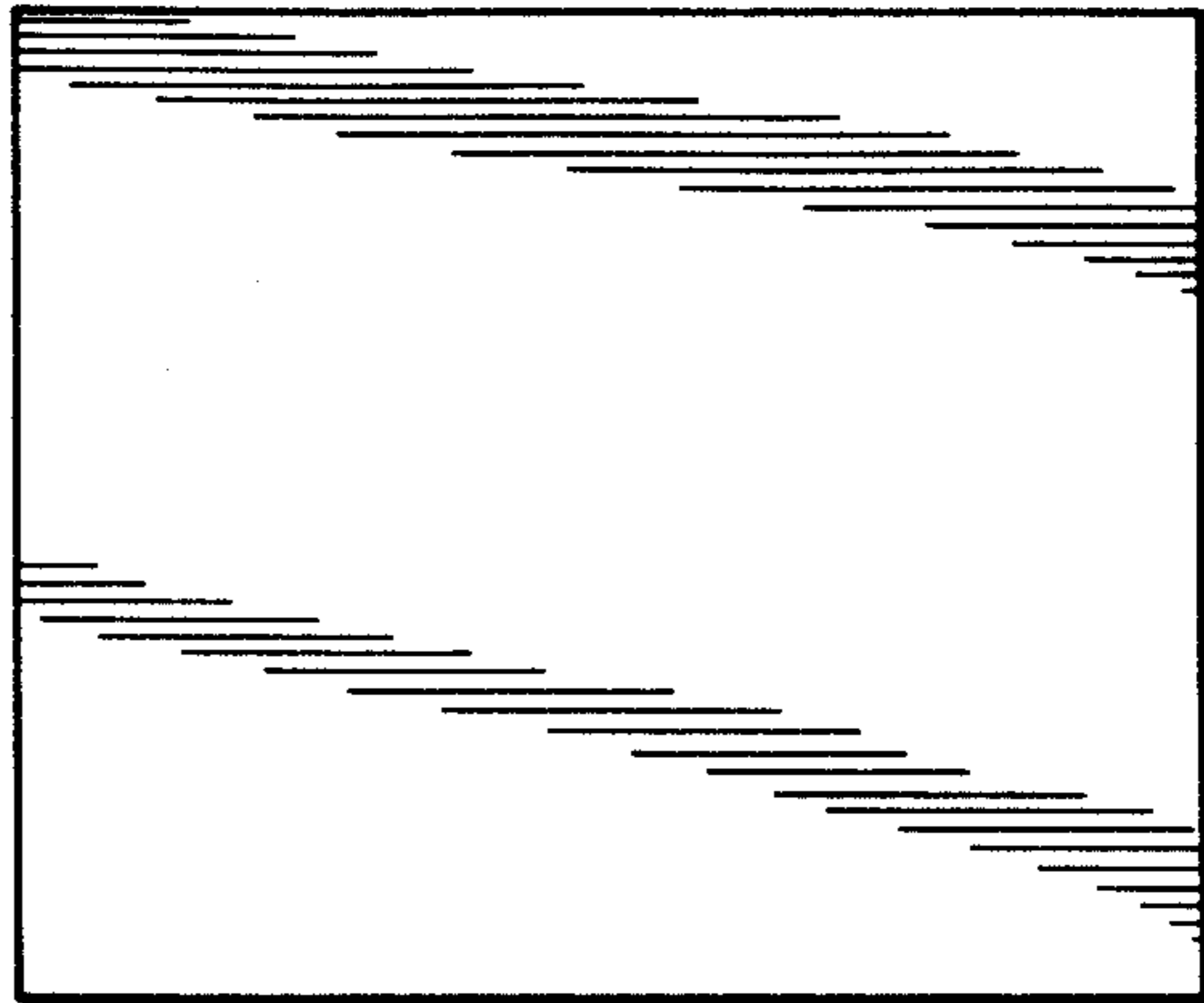


FIG. 2

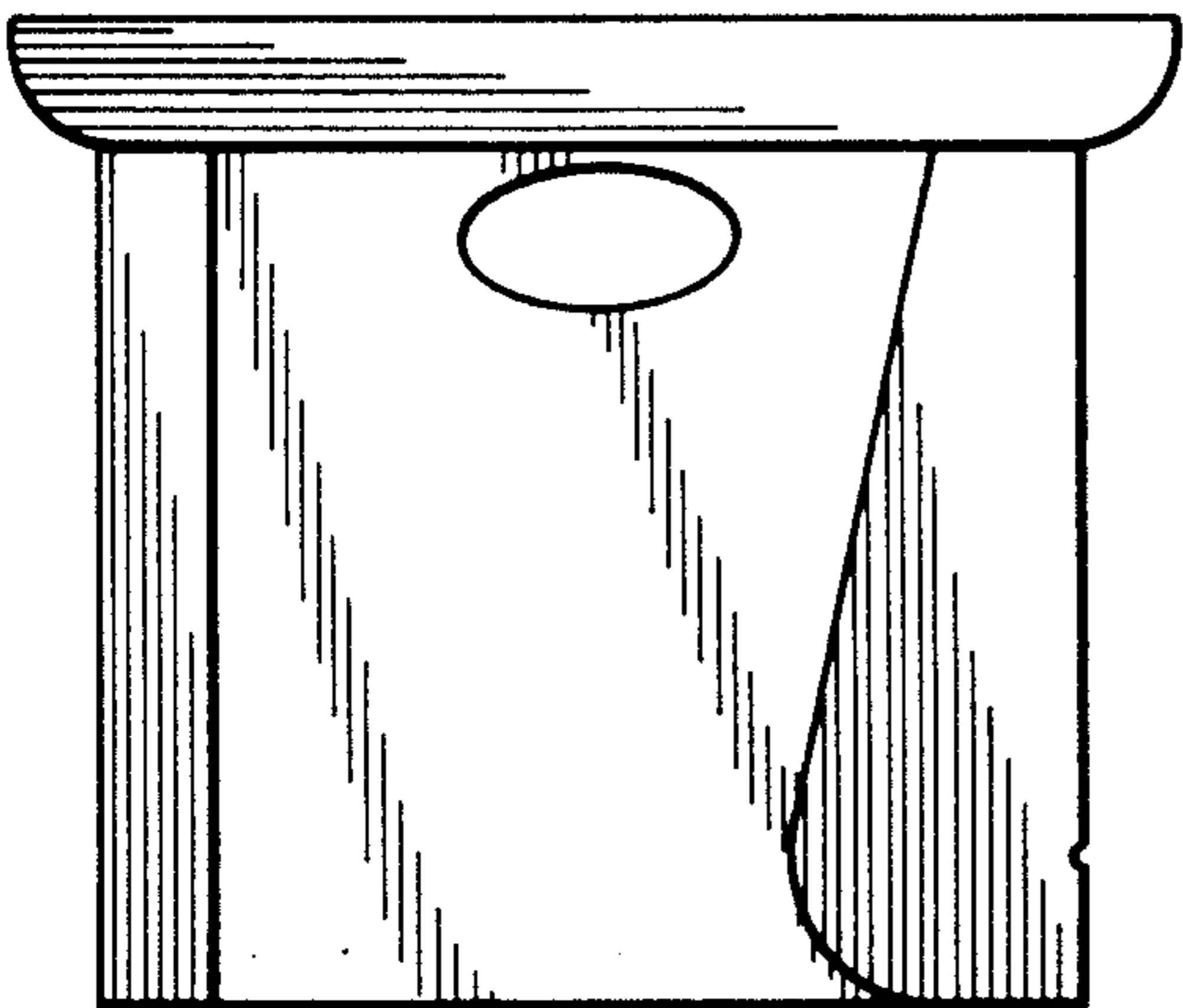


FIG. 3

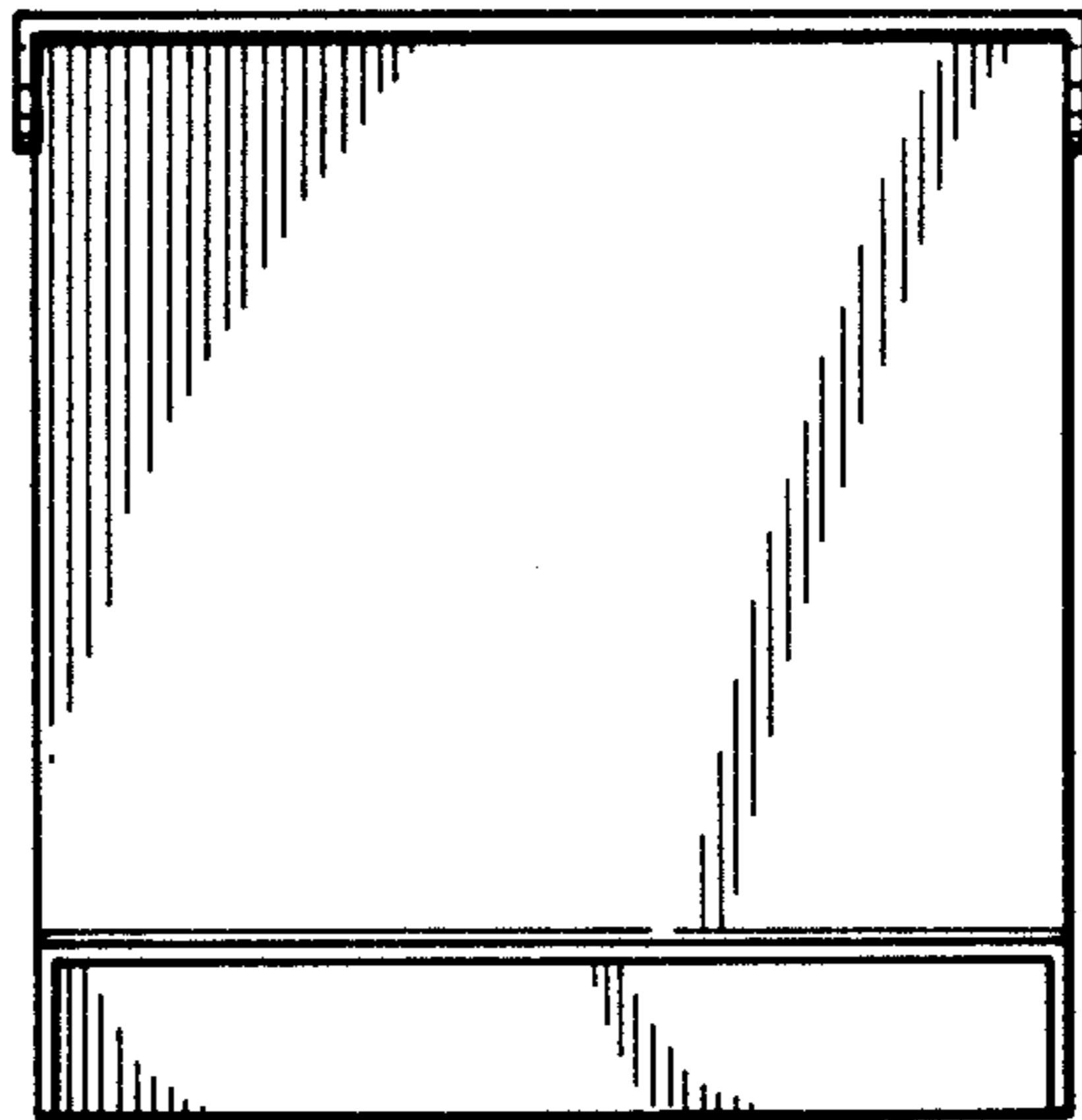


FIG. 4

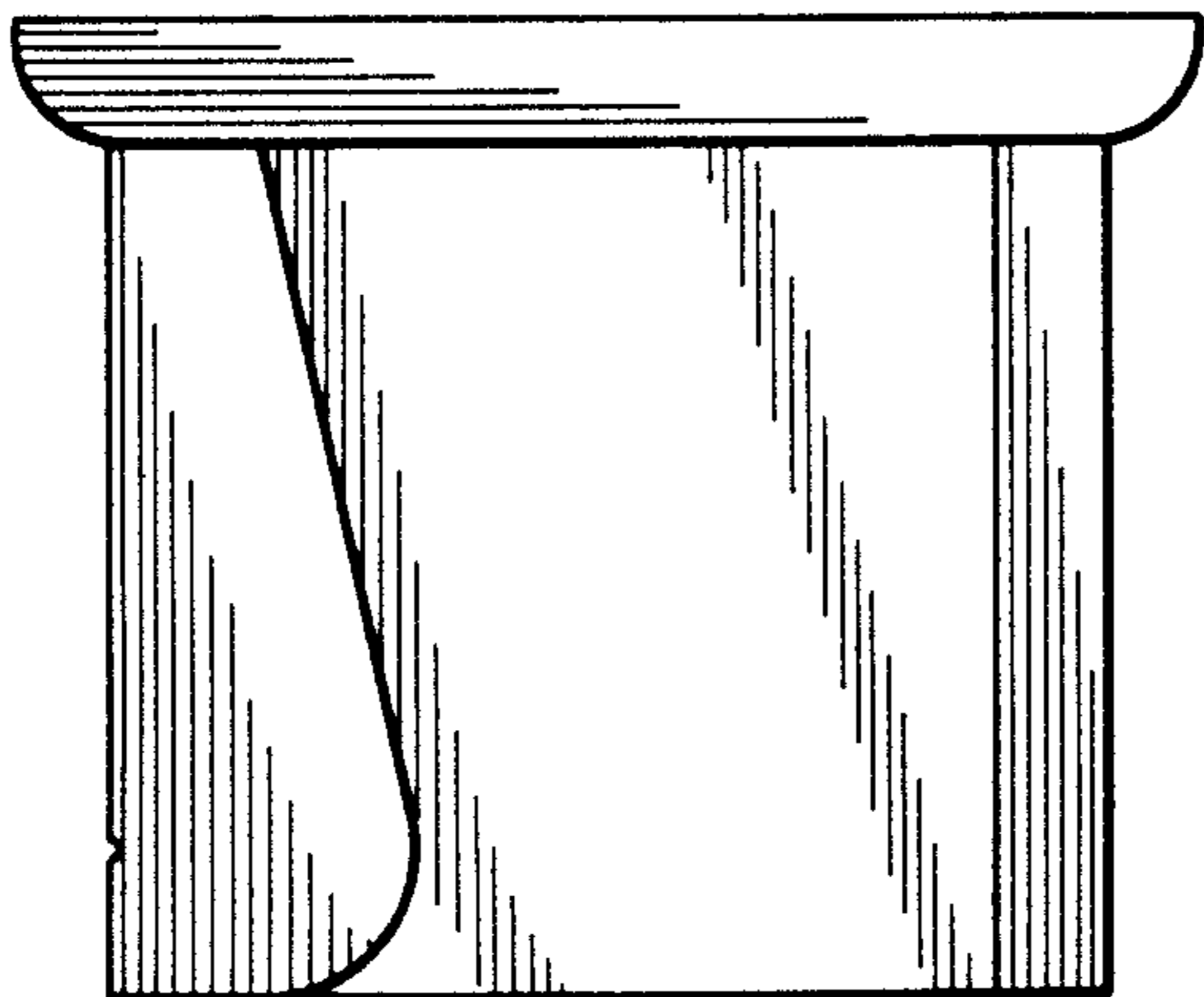


FIG. 5

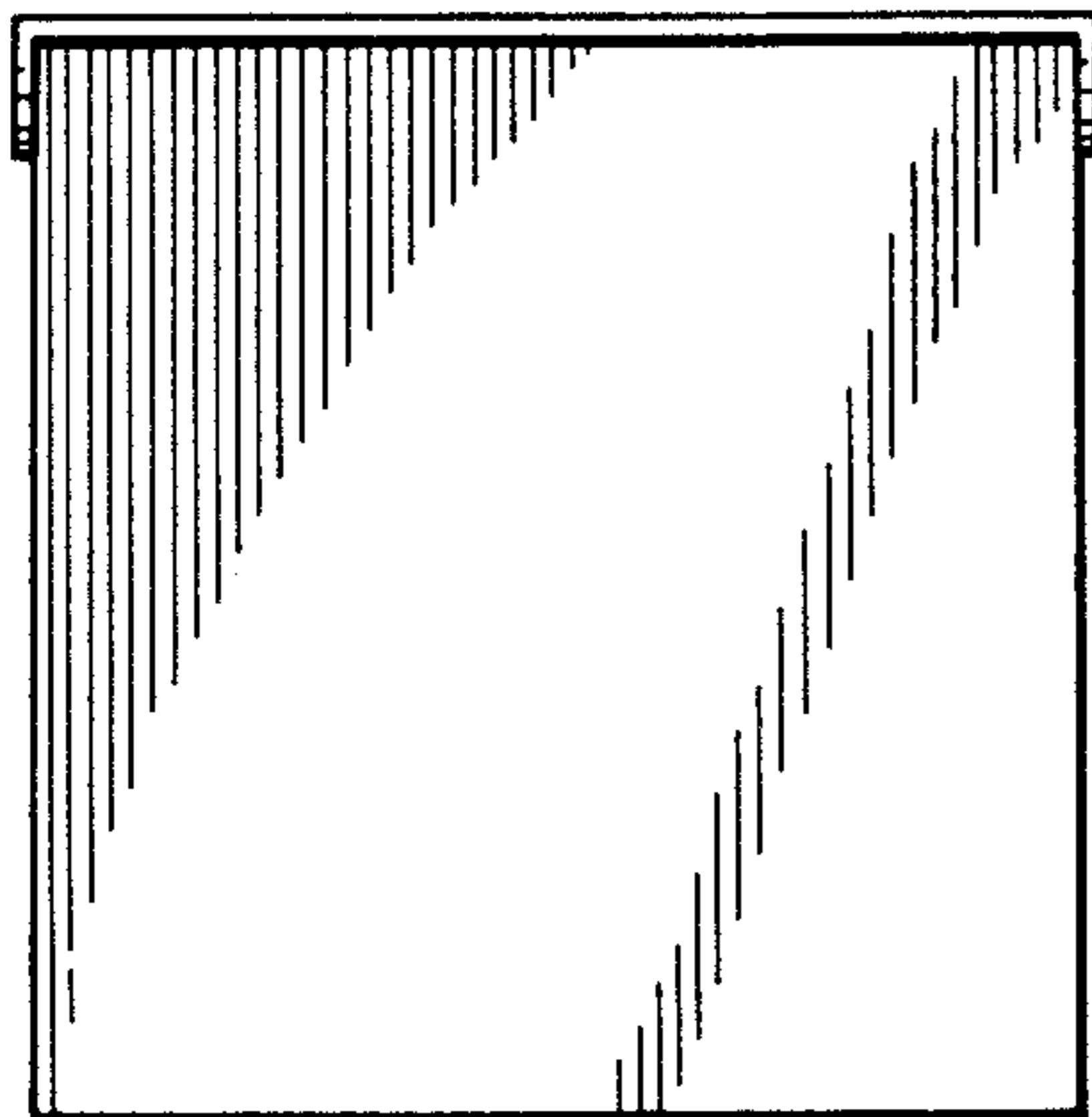


FIG. 6

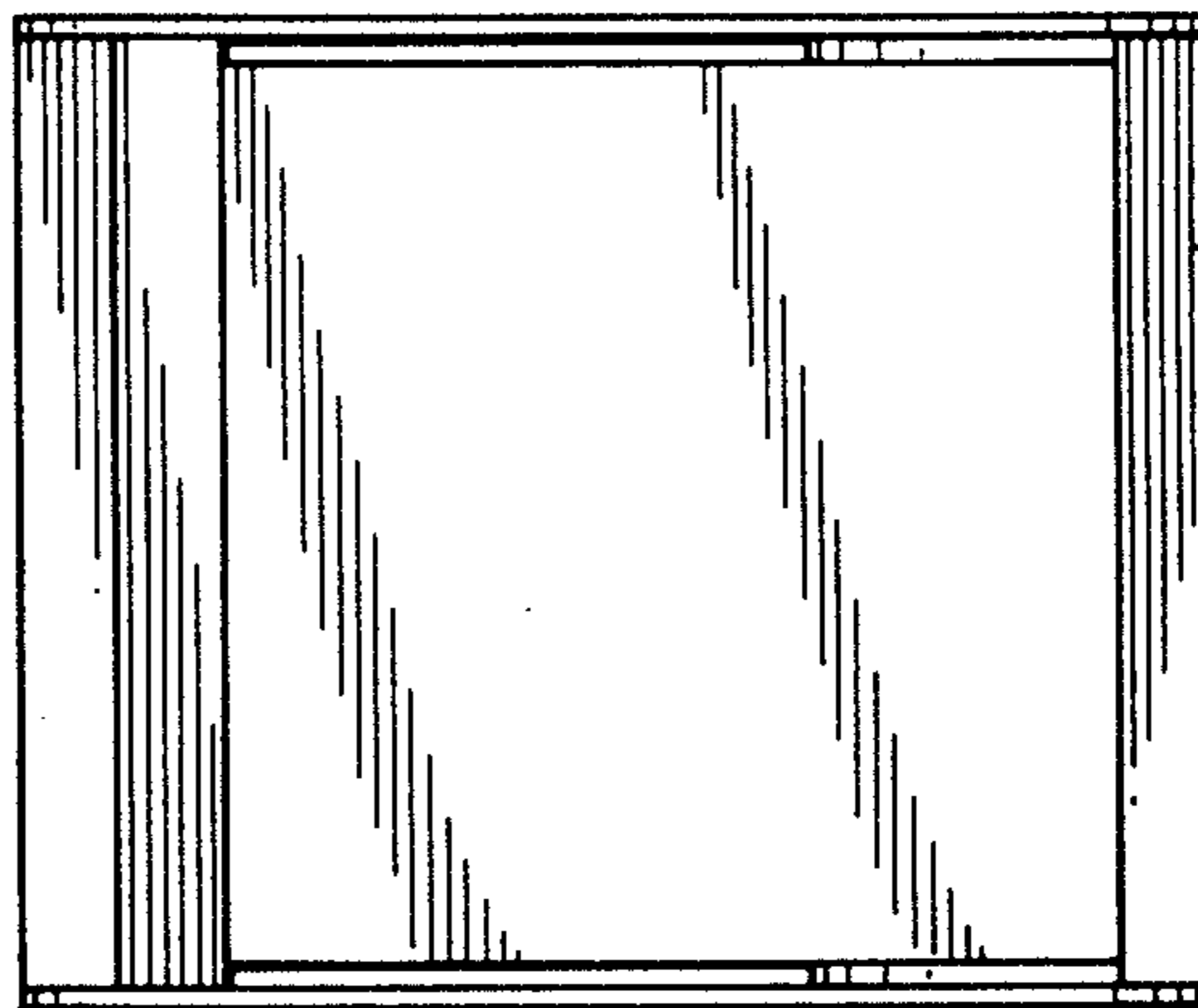


FIG. 7

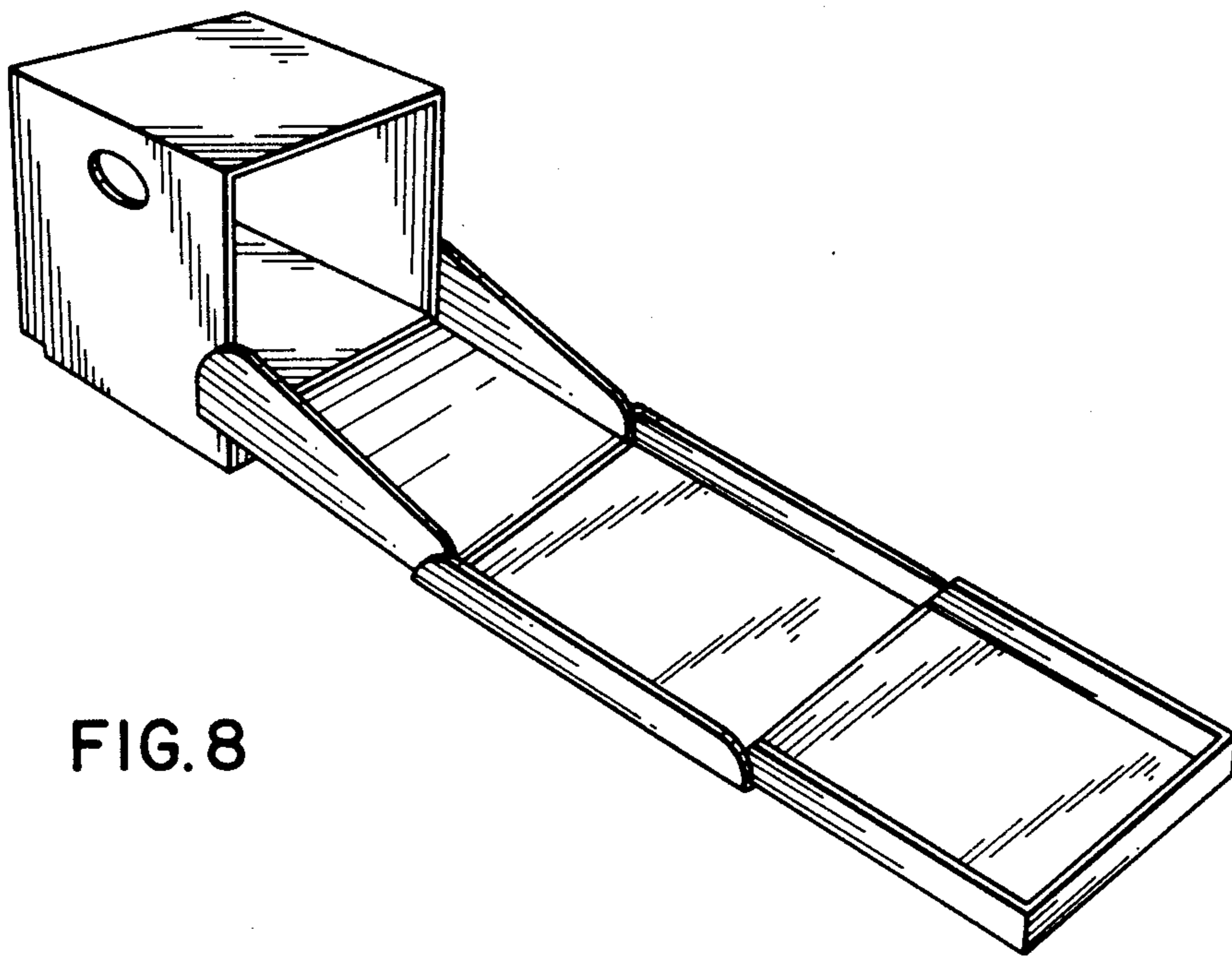


FIG. 8