

[54] ROLLED PAPER HOLDER

[75] Inventors: Gary A. Fleischmann, Sheboygan, Wis.; Lawrence C. Peabody, Rindge, N.H.

[73] Assignee: Kohler Co., Kohler, Wis.

[**] Term: 14 Years

[21] Appl. No.: 138,832

[22] Filed: Apr. 10, 1980

[51] Int. Cl. D23-02

[52] U.S. Cl. D6/97

[58] Field of Search D6/86-104, D6/114; 211/13, 87; 242/55.2, 55.53, 55.54, 55.55; 248/309 R; D26/9, 20, 22

[56] References Cited

U.S. PATENT DOCUMENTS

D. 139,145 10/1944 Sadowski D6/99

D. 230,795 3/1974 Birks D6/97
D. 253,265 10/1979 Miller D6/97
1,177,232 3/1916 Chisholm D6/91
1,224,106 4/1917 Good 242/55.54

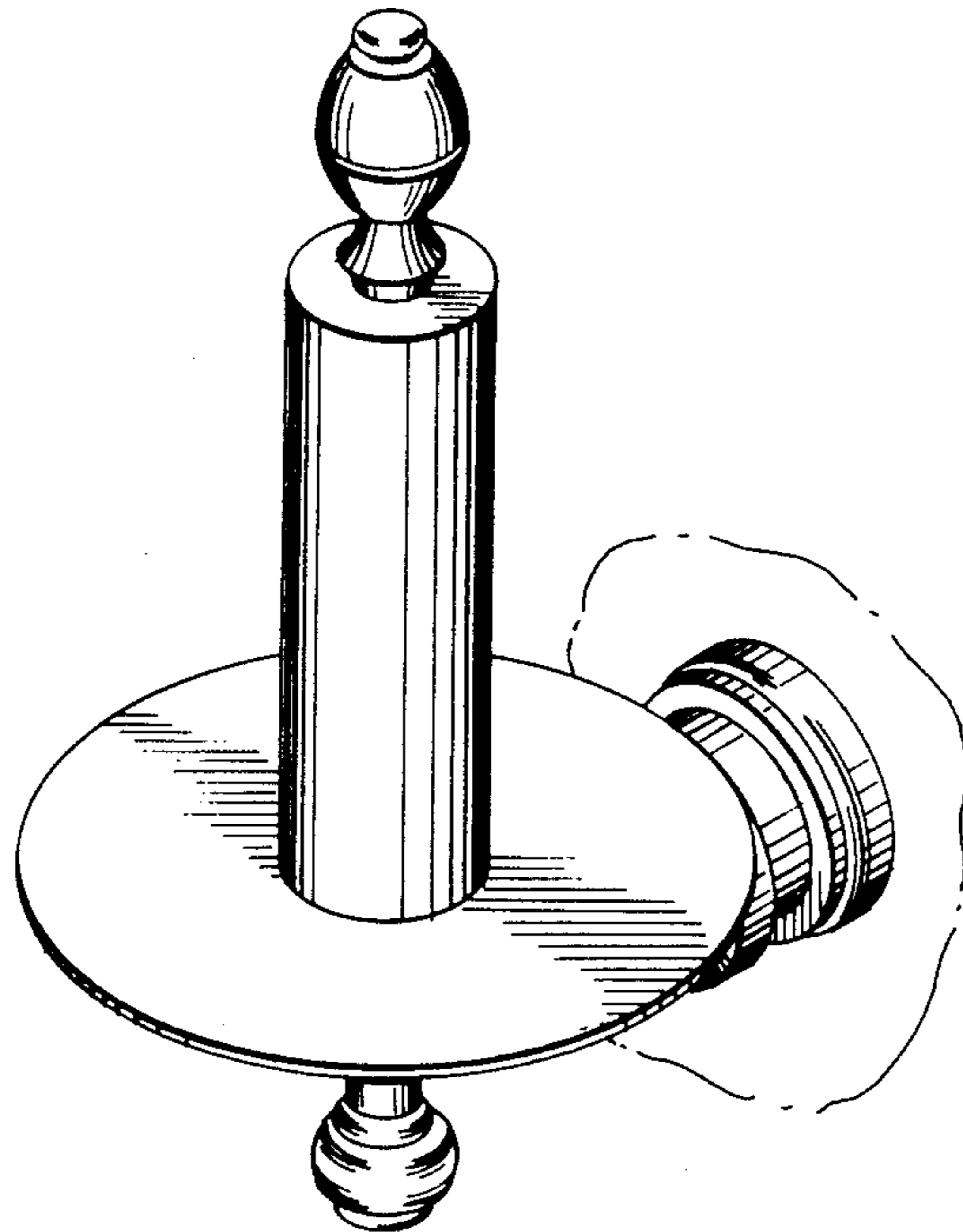
Primary Examiner—B. J. Bullock
Attorney, Agent, or Firm—Quarles & Brady

[57] CLAIM

The ornamental design for a rolled paper holder, as shown and described.

DESCRIPTION

FIG. 1 is a perspective view of a rolled paper holder showing our new design, the portion of a wall being in broken lines for illustrative purposes only; FIG. 2 is a top plan view thereof; FIG. 3 is a bottom plan view thereof; FIG. 4 is a side elevational view thereof; FIG. 5 is a sectional view taken in the direction of the arrows on line 5-5 of FIG. 4; FIG. 6 is a front elevational view thereof.



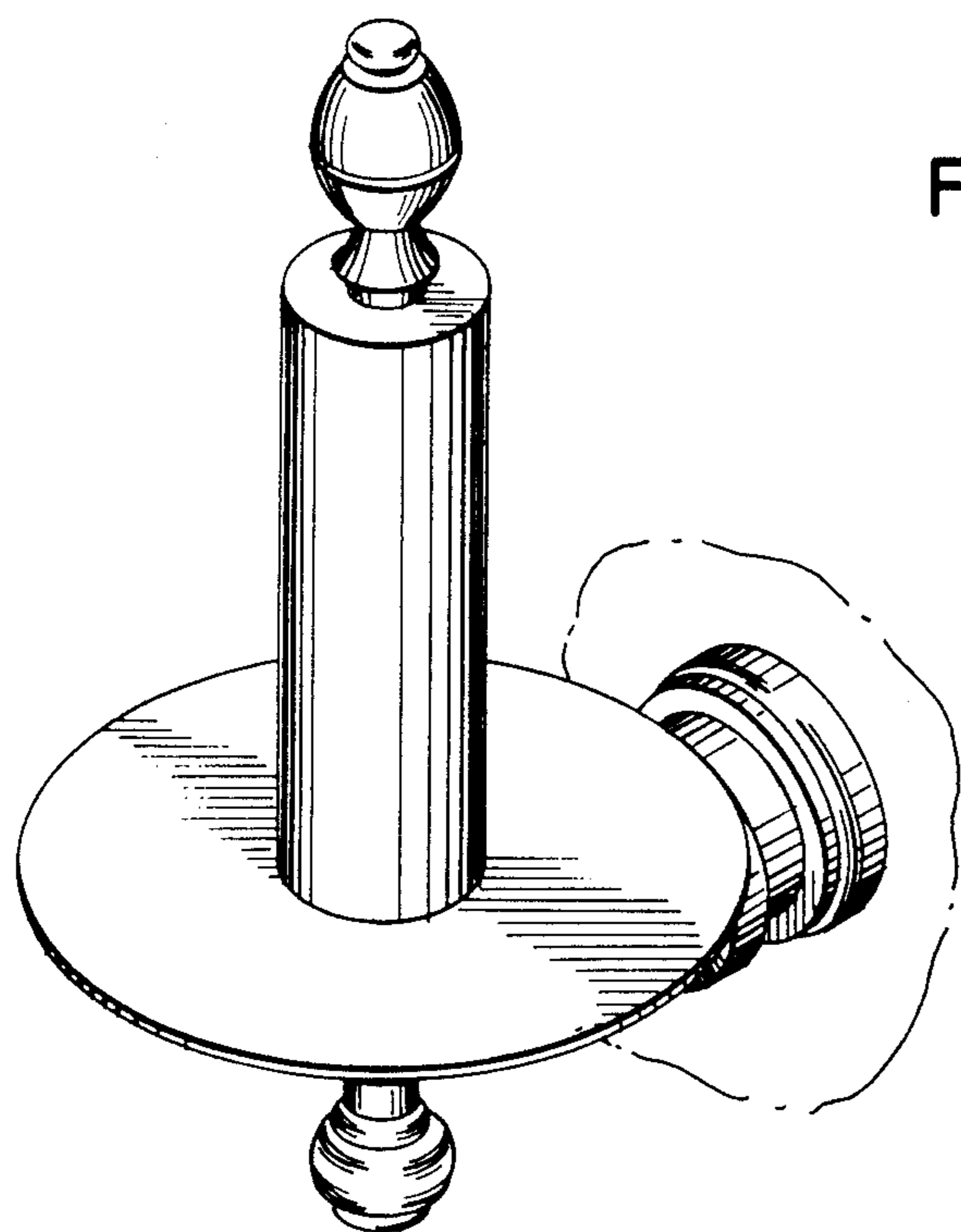


FIG. 1

FIG. 2

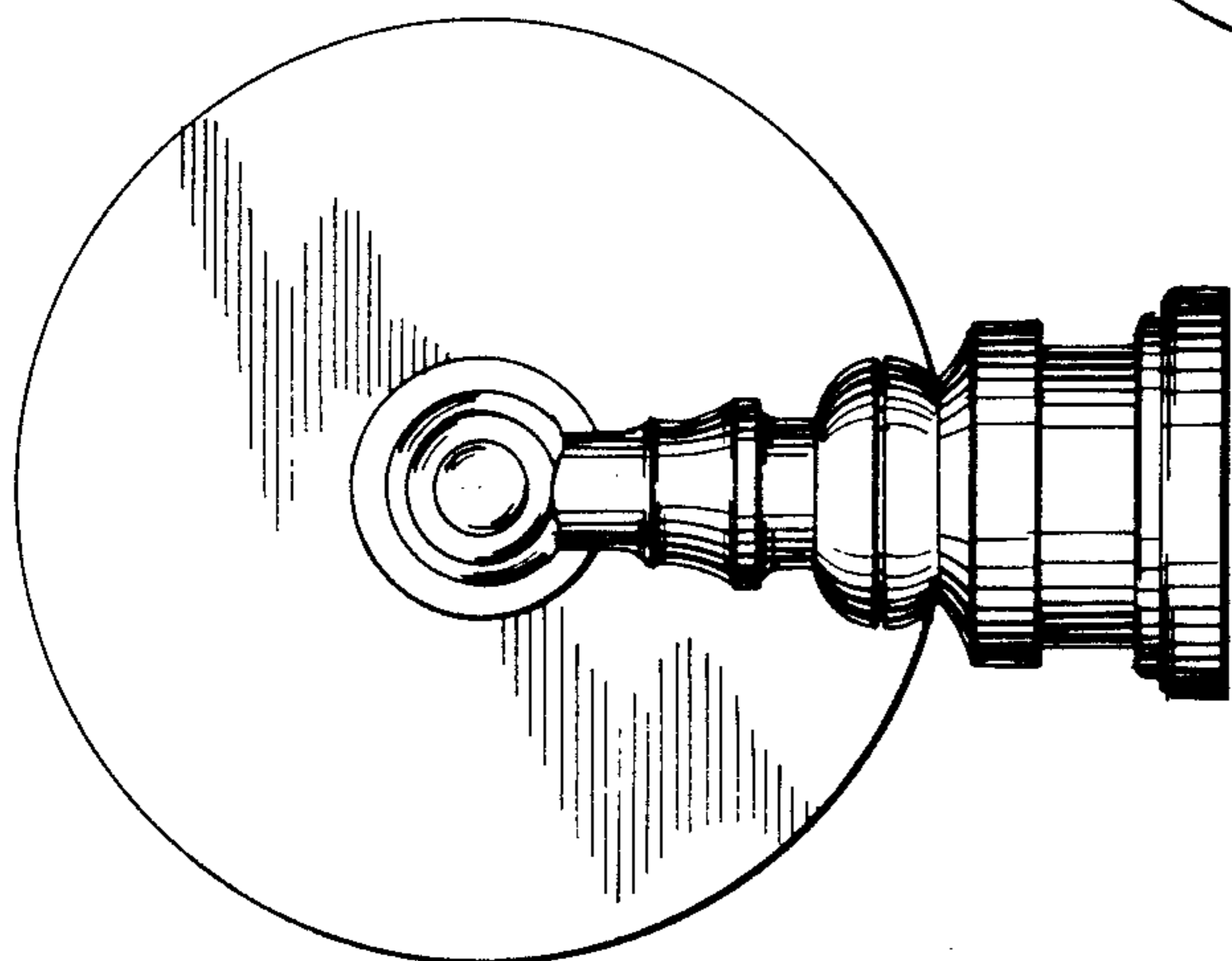
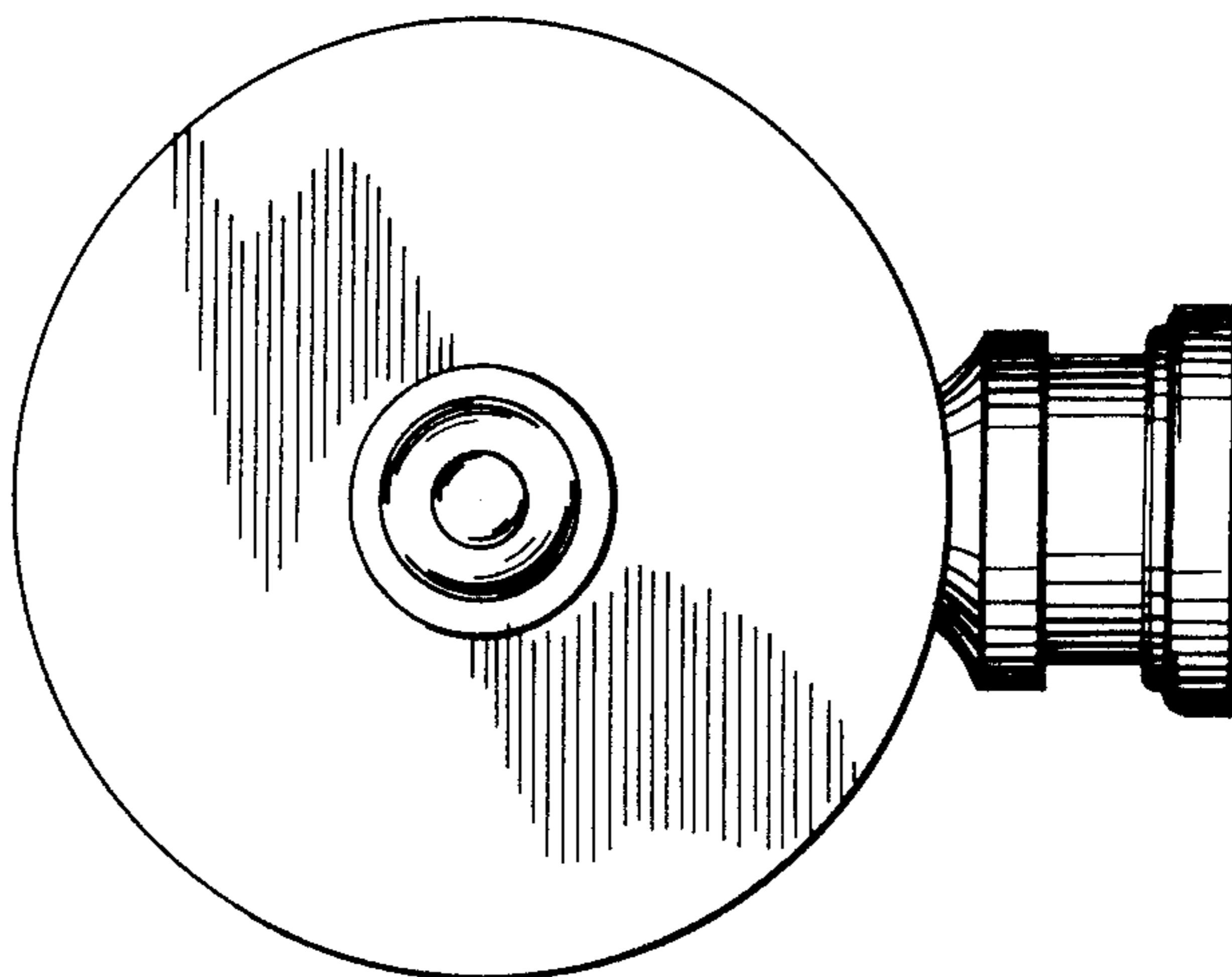


FIG. 3

FIG. 4

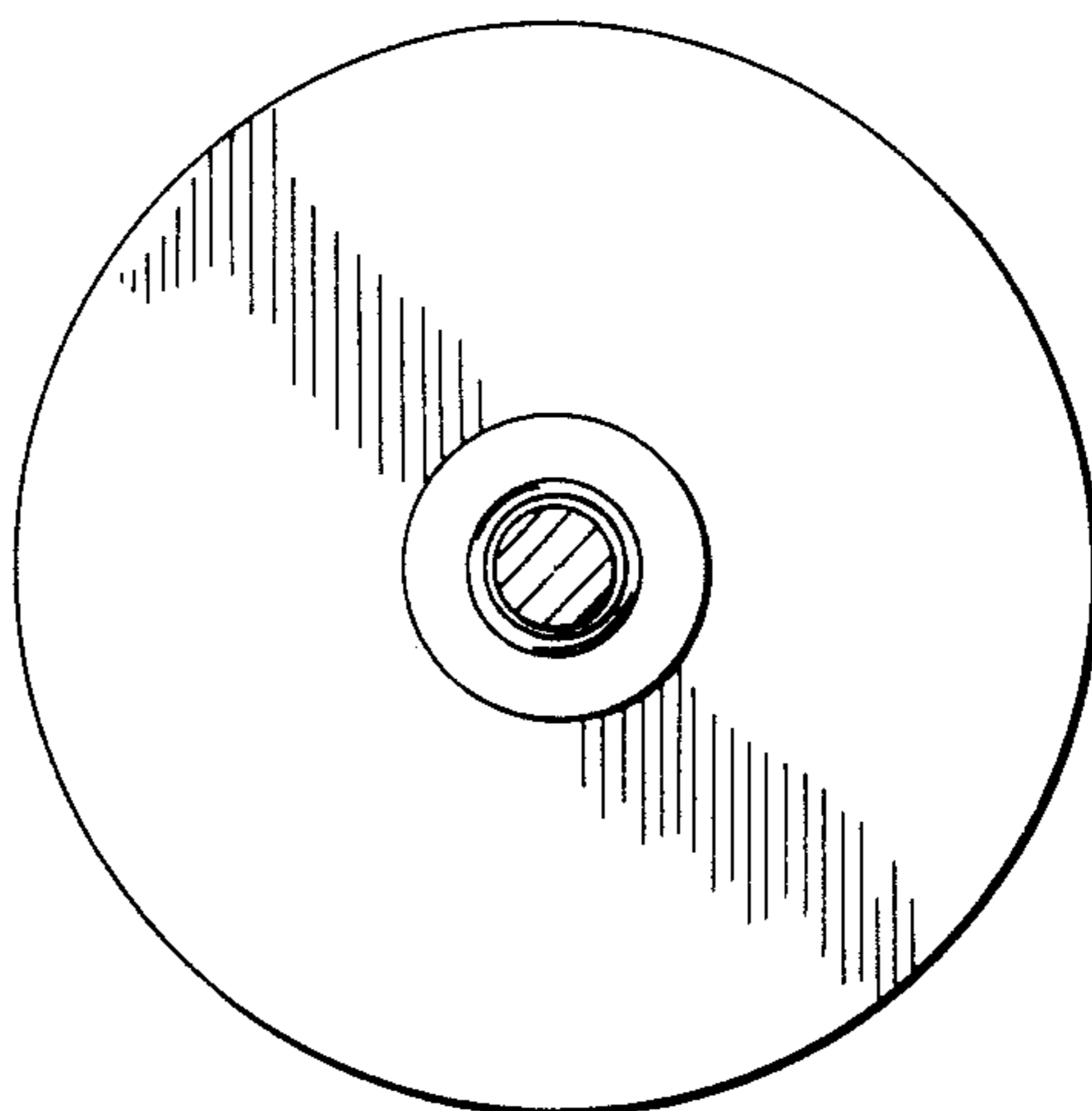
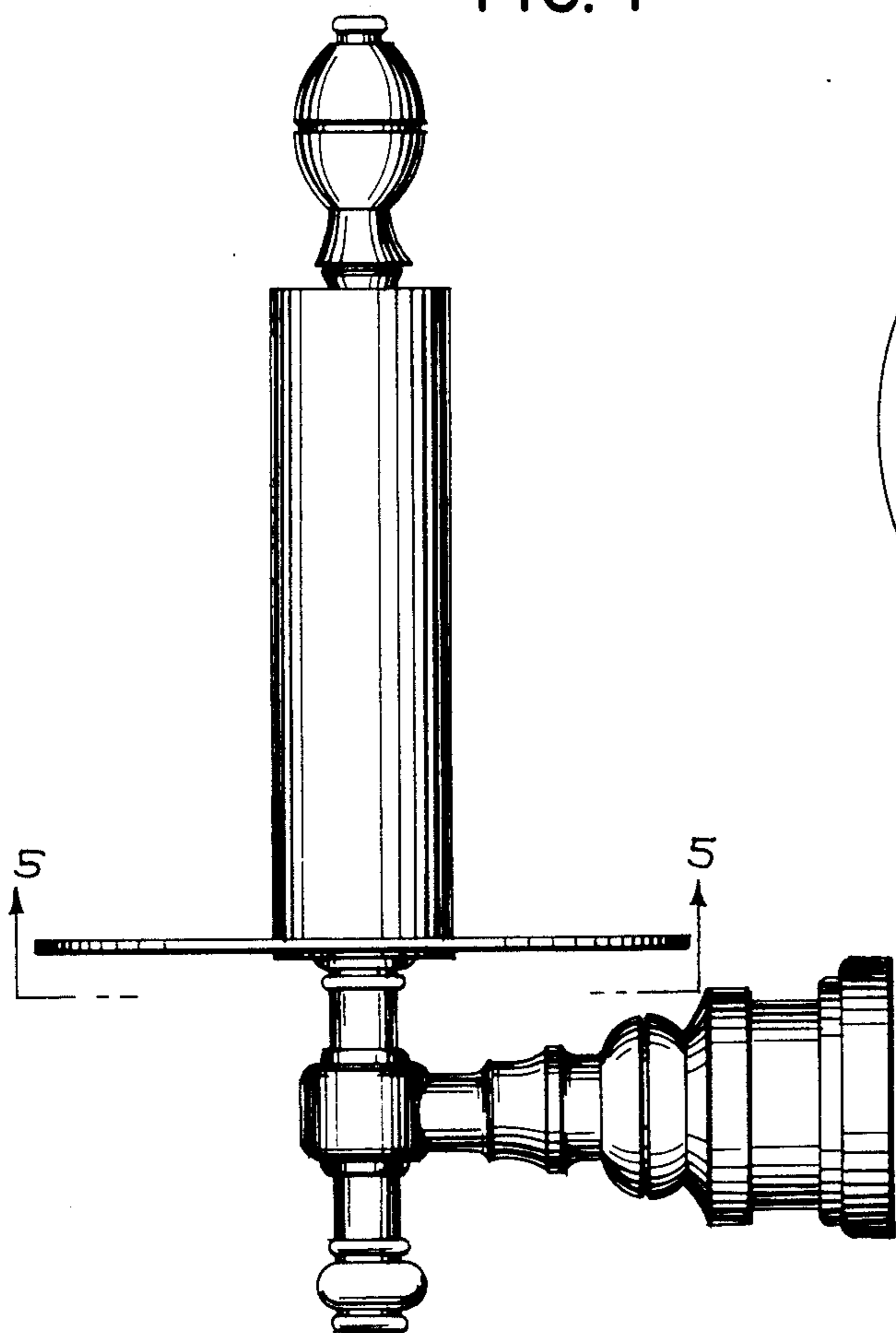


FIG. 5

FIG. 6

