

[54] MUSICAL INSTRUMENT CASE

D. 219,417	12/1970	Heidman et al.	D3/73
D. 250,732	1/1979	Goldschmidt	D3/73
4,162,004	7/1979	Thomas	D3/72

[76] Inventor: Jacques, 2233 Park Ave., Cincinnati, Ohio 45206

Primary Examiner—George P. Word
Attorney, Agent, or Firm—Frost & Jacobs

[**] Term: 14 Years

[21] Appl. No.: 44,203

[57] CLAIM

[22] Filed: May 31, 1979

The ornamental design for a musical instrument case, as shown and described.

[51] Int. Cl. D3-02

[52] U.S. Cl. D3/30; D3/66; D3/73

[58] Field of Search D3/30, 36, 38, 72, 73, D3/76; 206/14, 314; 84/453; 150/52 R, 52 G

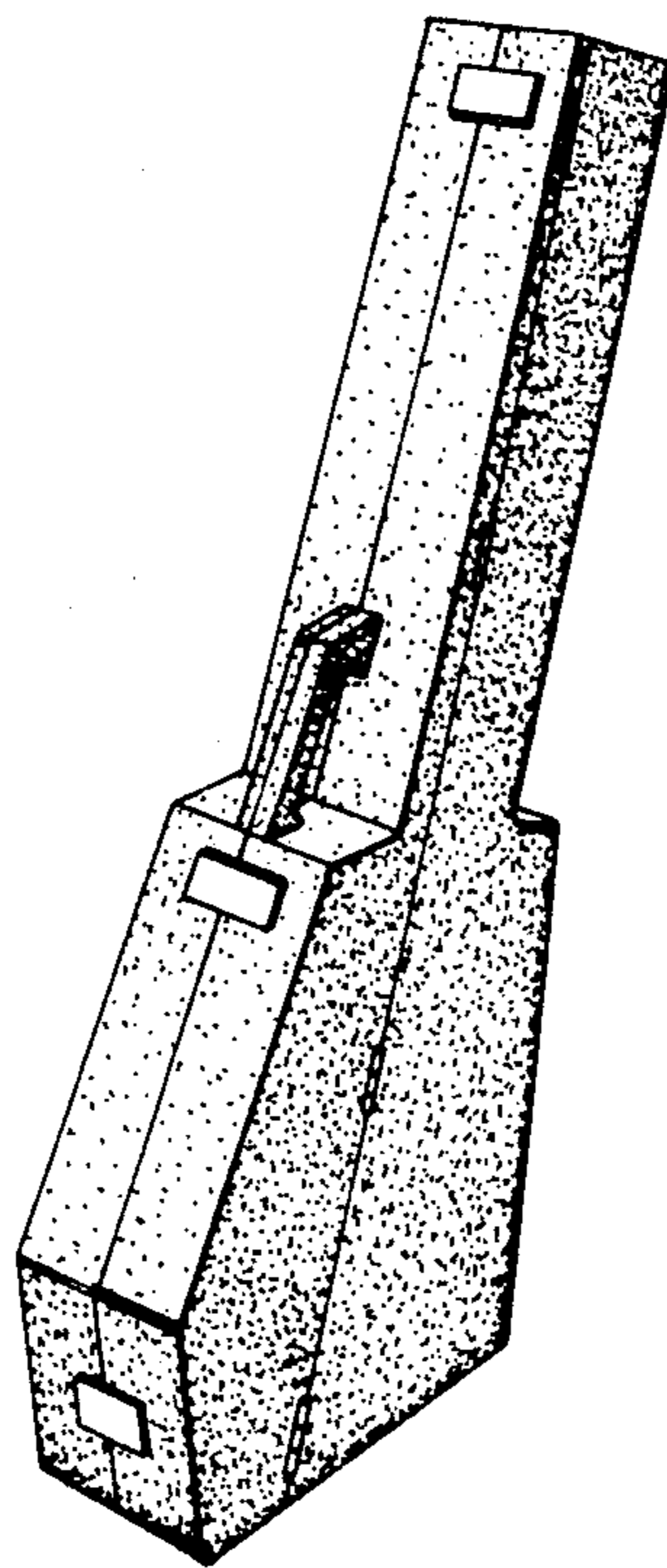
DESCRIPTION

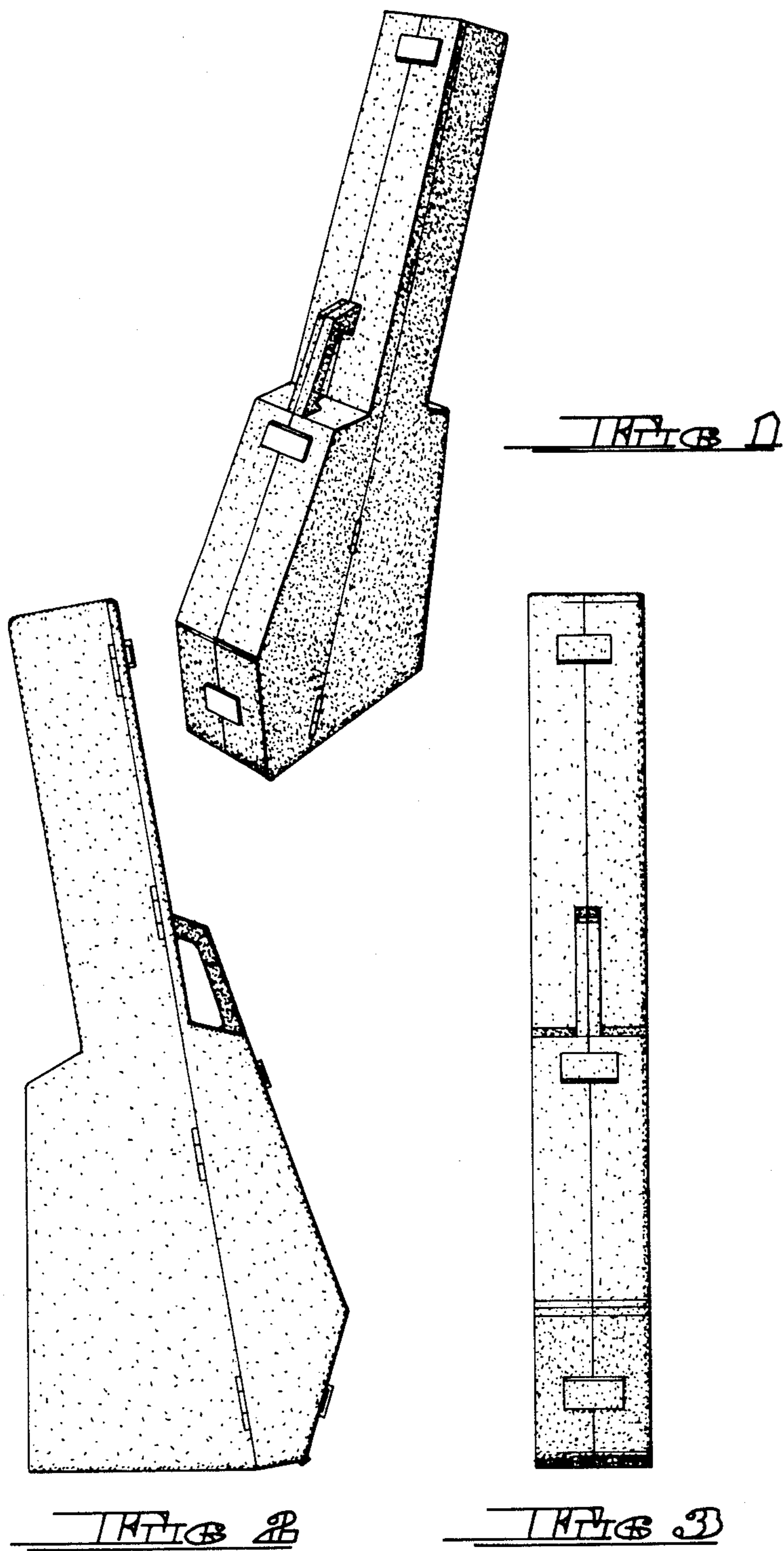
FIG. 1 is a perspective view of a musical instrument case showing my new design;
FIG. 2 is a left side elevational view;
FIG. 3 is a front elevational view;
FIG. 4 is a top plan view;
FIG. 5 is a bottom plan view;
FIG. 6 is a rear elevational view; and
FIG. 7 is a perspective view in the open position.

[56] References Cited

U.S. PATENT DOCUMENTS

D. 209,091	10/1967	Daniel	D3/73
D. 214,711	7/1969	Sweet et al.	D3/38





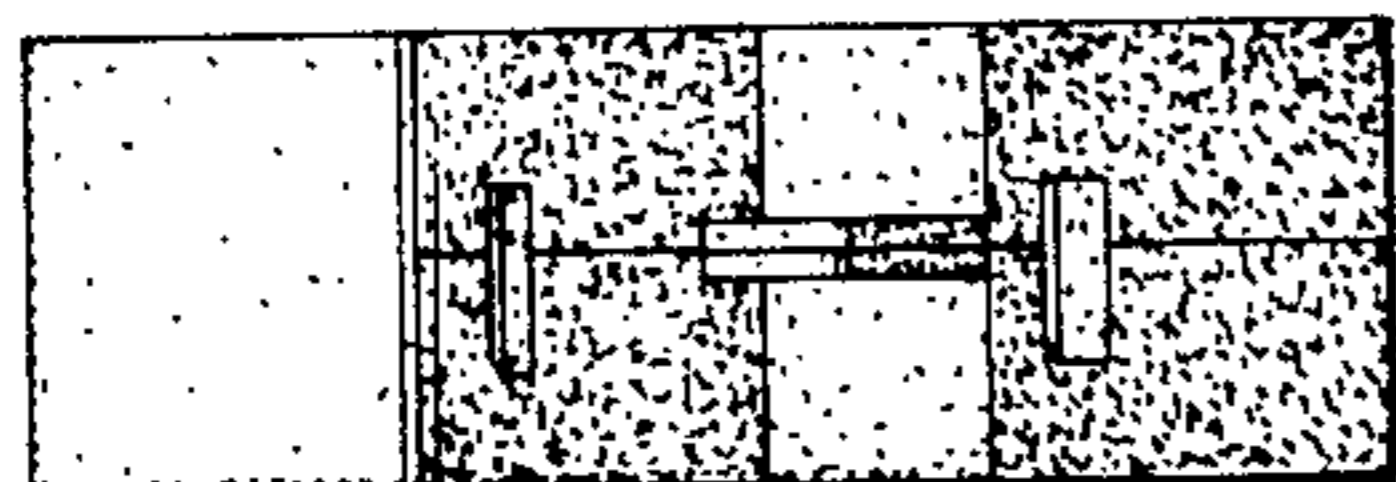


FIG 4H

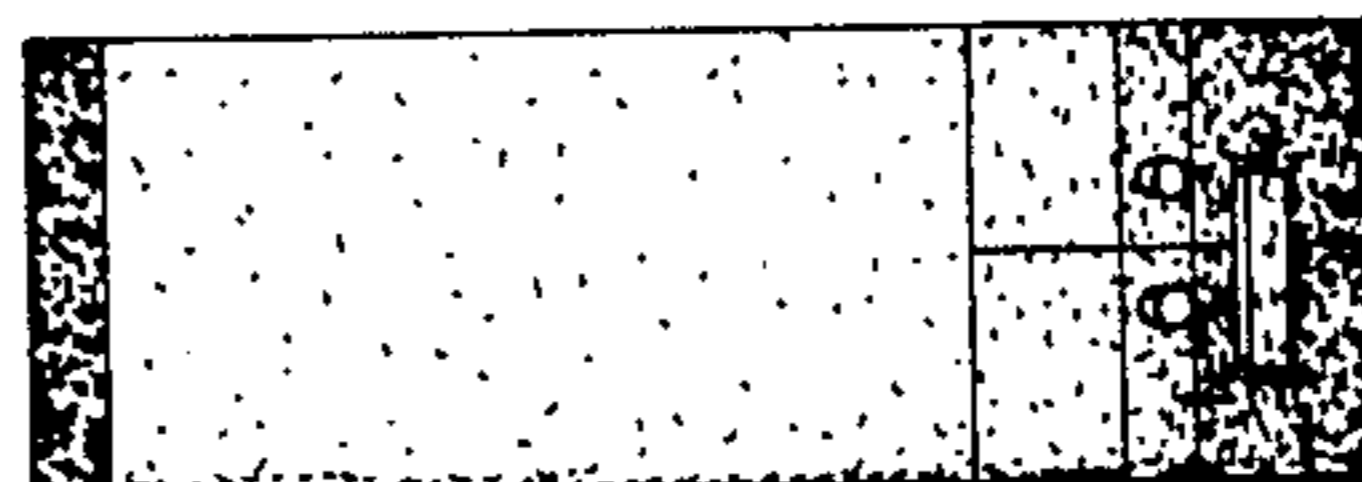


FIG 5

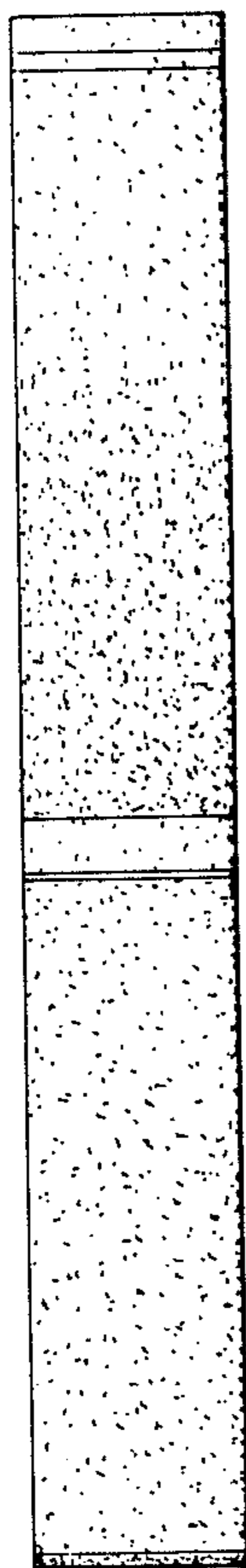


FIG 6

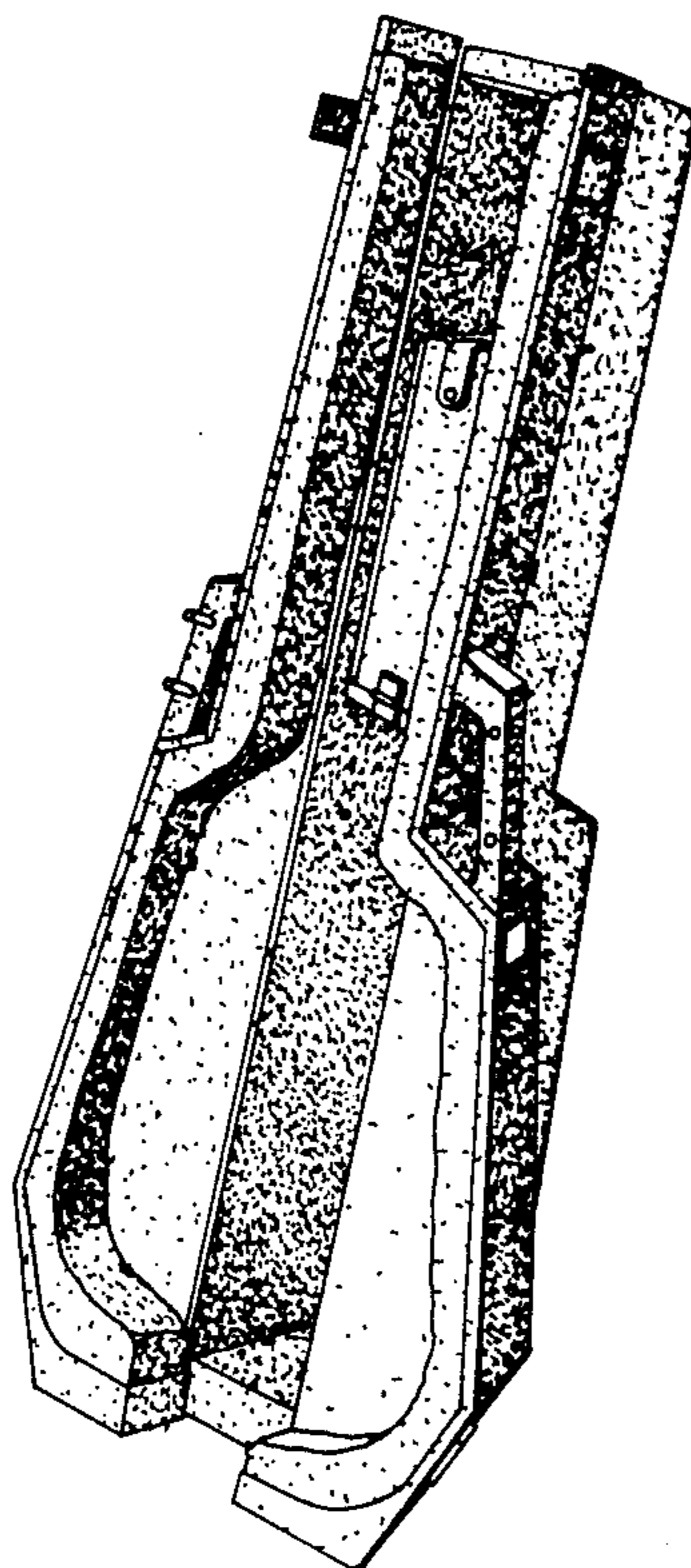


FIG 7