

[54] VALVE STEM CONNECTOR AND STRAIN INDICATOR

2,868,494 1/1959 Kearns, Jr. et al. 251/77 X
3,310,069 3/1967 Hoffman 251/77 X
3,646,969 3/1972 Stampfli 251/77 X

[76] Inventor: George R. Ogniewski, 3241 New York Ave., Costa Mesa, Calif. 92626

Primary Examiner—James R. Largen
Attorney, Agent, or Firm—Knobbe, Martens, Olson, Hubbard & Bear

[**] Term: 14 Years

[57] CLAIM

The ornamental design for a valve stem connector and strain indicator, as shown.

[21] Appl. No.: 953,976

[22] Filed: Oct. 23, 1978

[51] Int. Cl. D23—01

[52] U.S. Cl. D23/19

[58] Field of Search D23/19-22, D23/38, 39; 251/77; 137/556

DESCRIPTION

FIG. 1 is a perspective view taken from the front and bottom of a valve stem connector and strain indicator showing my new design;

FIG. 2 is a perspective view taken from rear and top thereof;

FIG. 3 is a front elevational view thereof;

FIG. 4 is a rear elevational view thereof;

FIG. 5 is a left side elevational view thereof;

FIG. 6 is a right side elevational view thereof;

FIG. 7 is a top plan view thereof; and

FIG. 8 is a bottom plan view thereof.

[56] References Cited

U.S. PATENT DOCUMENTS

D. 234,979	4/1975	Miller	D23/20 X
D. 253,716	12/1979	Spitz	D23/19
2,402,732	6/1946	Cohen	251/77
2,447,207	8/1948	Ray	251/77 X
2,663,318	12/1953	Lakso	251/77 X

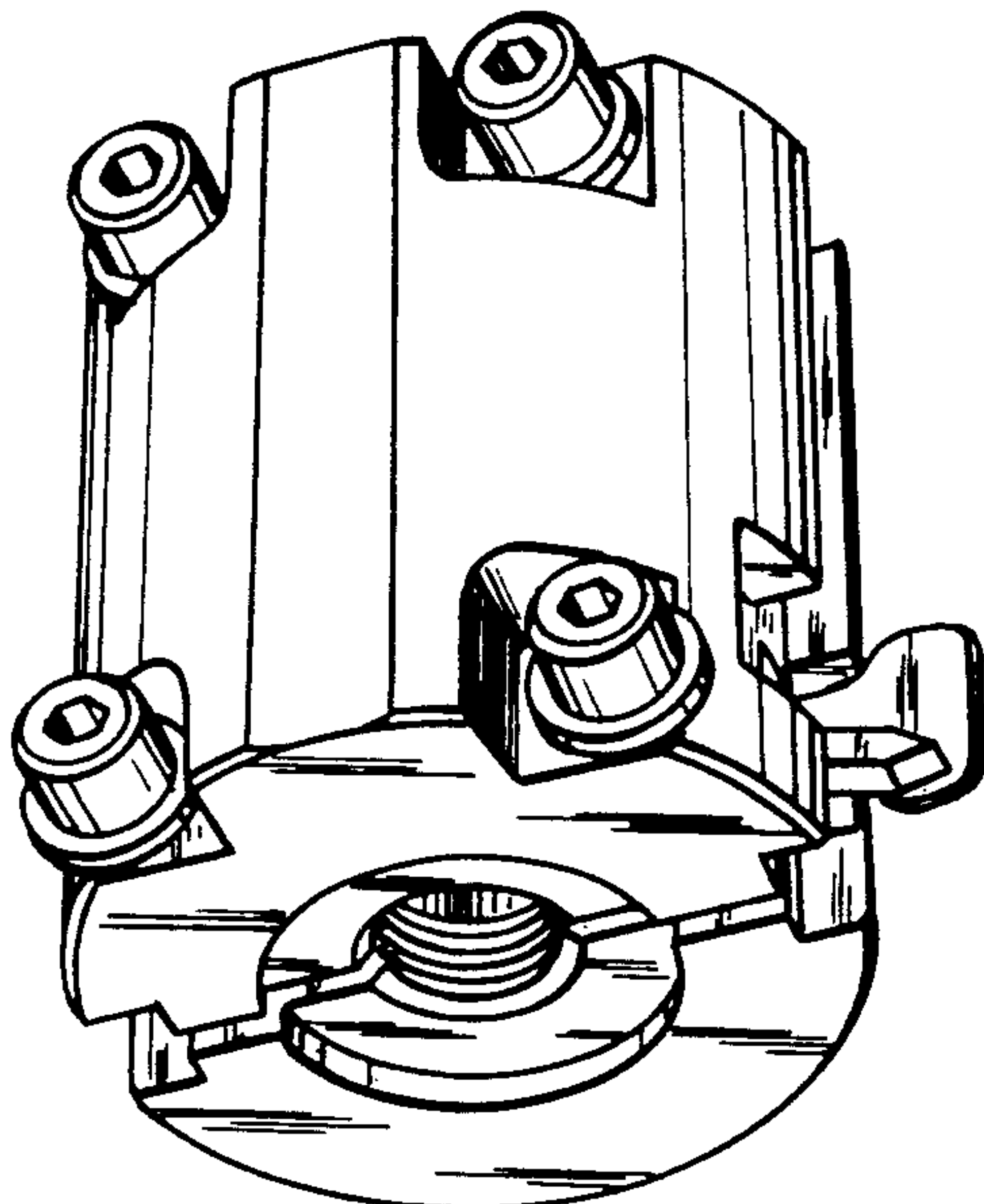


Fig. 1

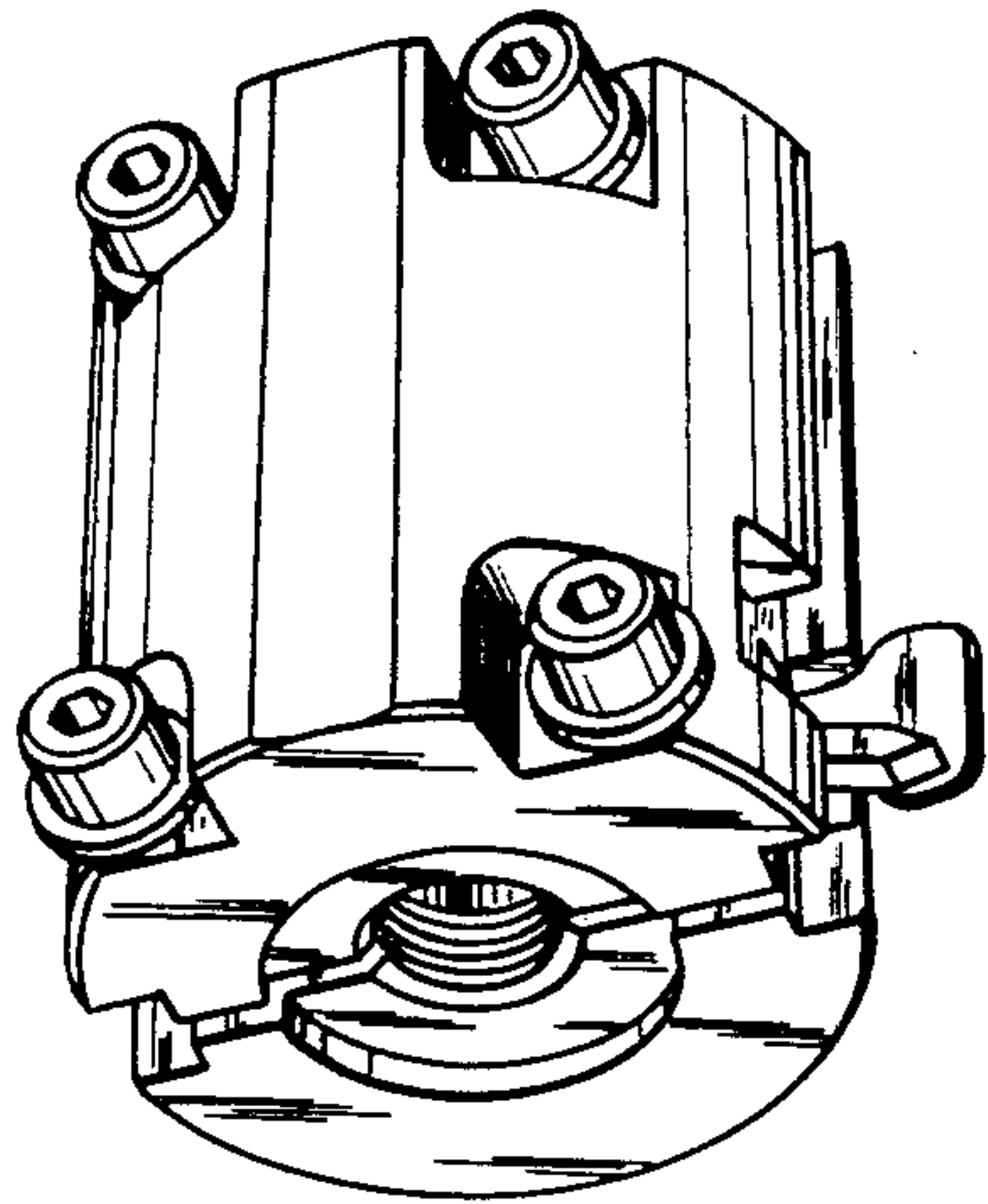


Fig. 2

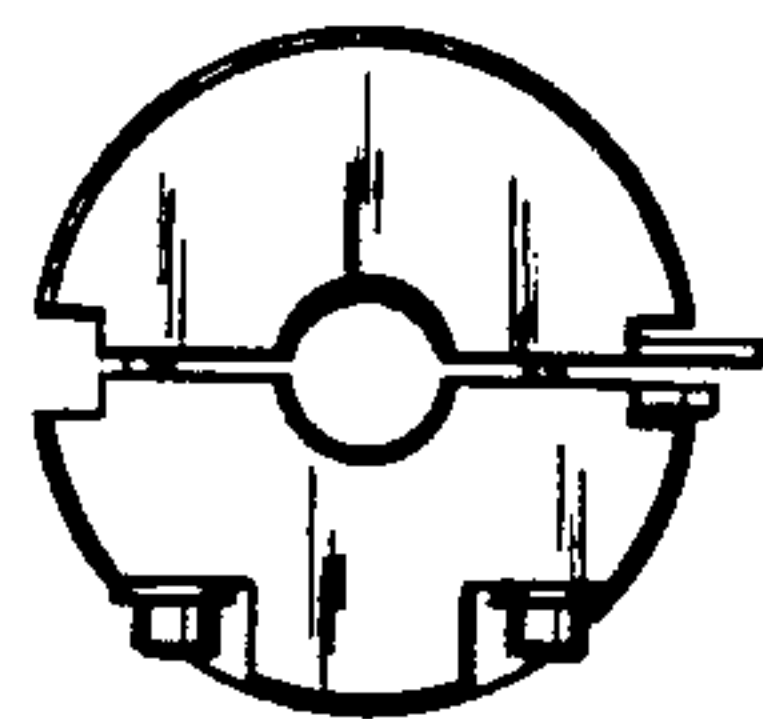
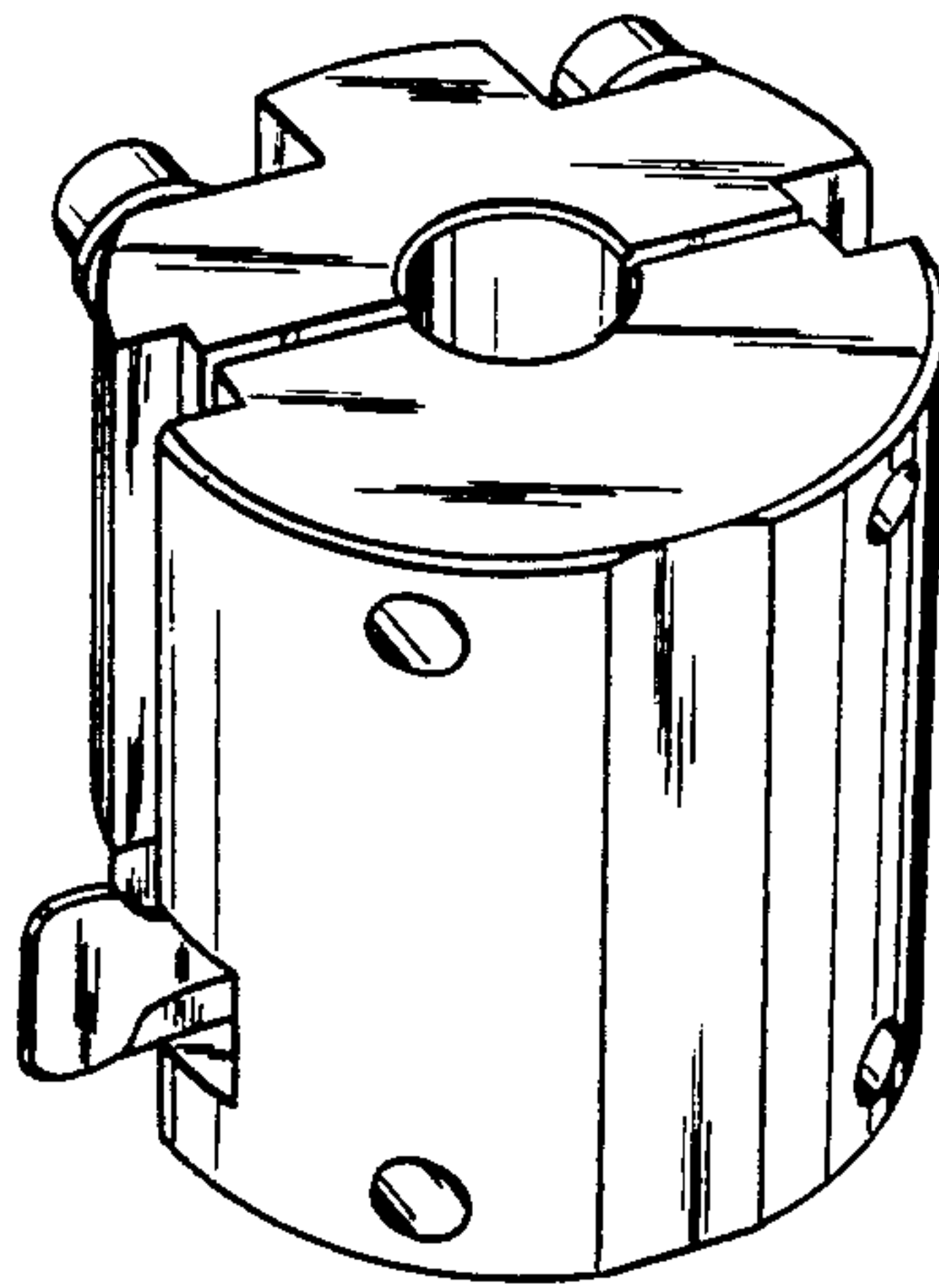


Fig. 7

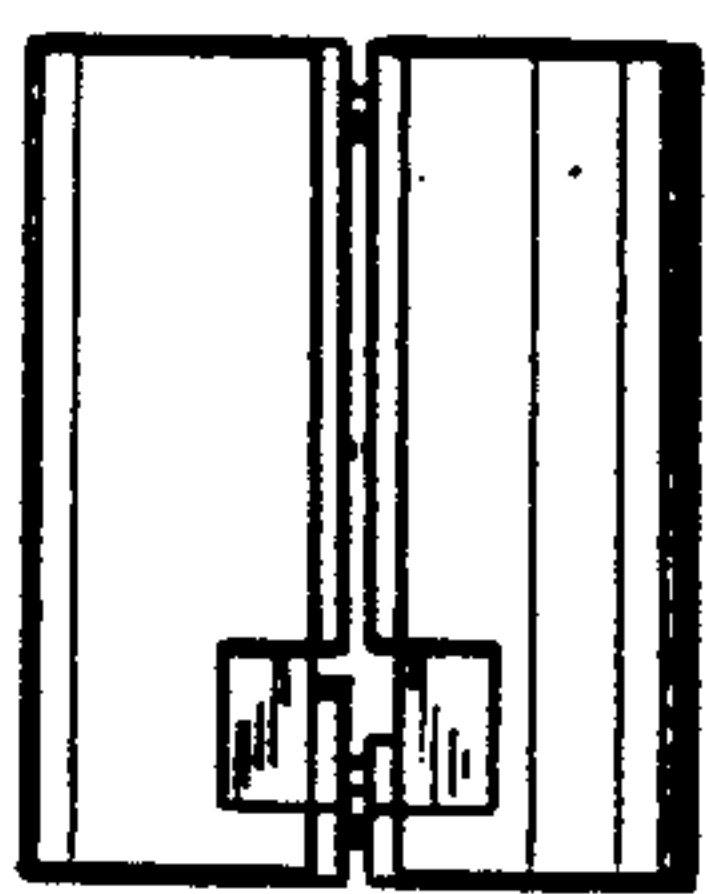


Fig. 5

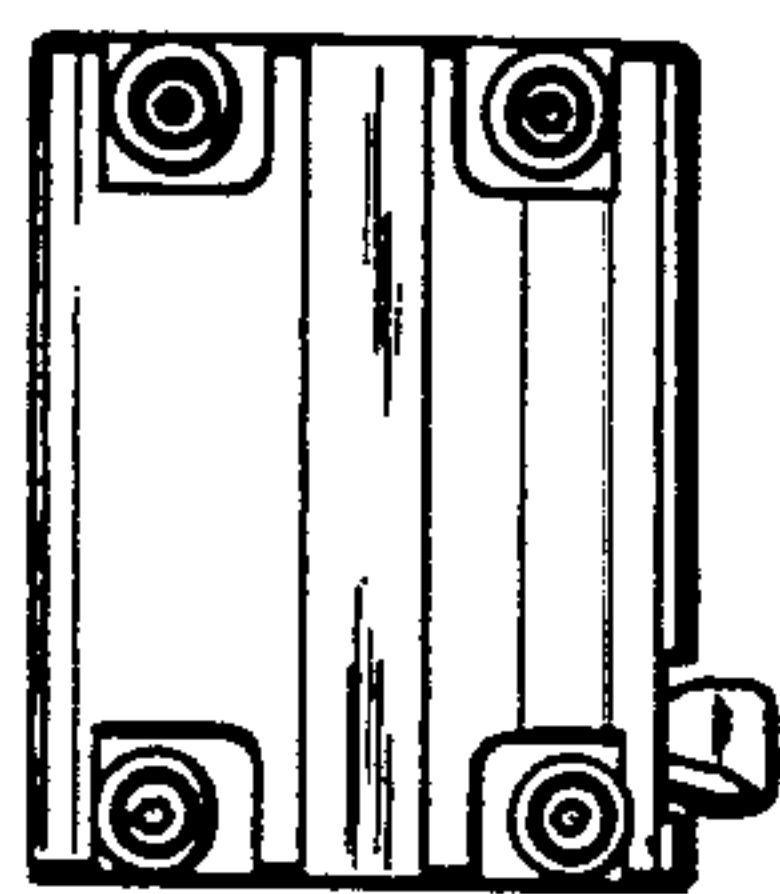


Fig. 3

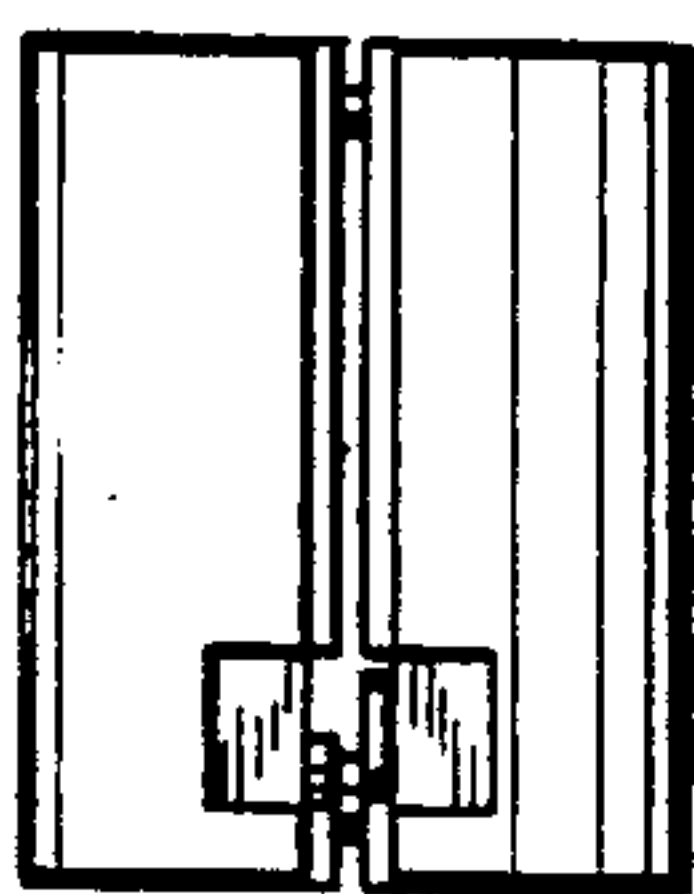


Fig. 6

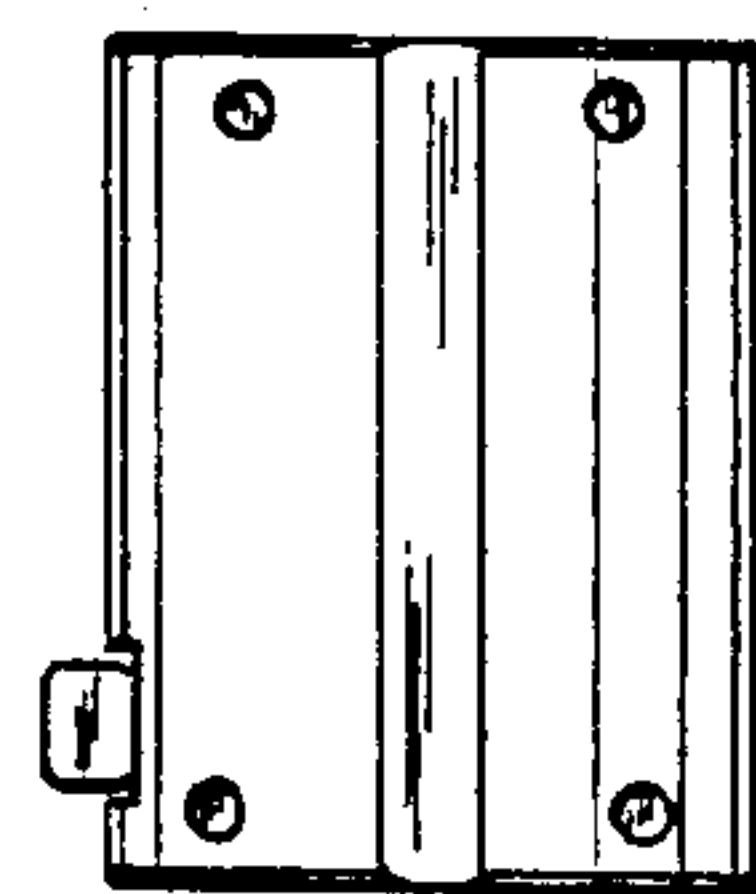


Fig. 4

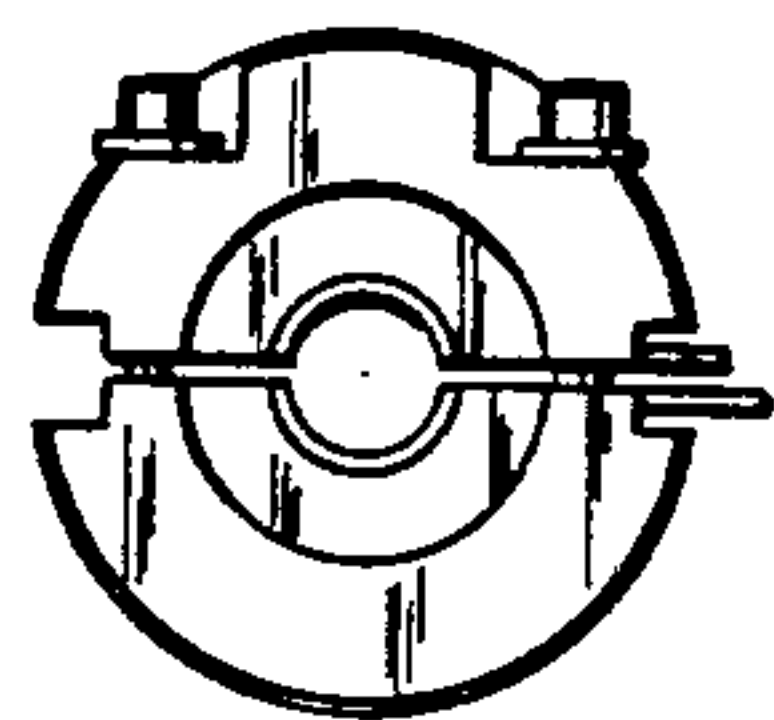


Fig. 8