

[54] WATER TOY

[56]

References Cited

U.S. PATENT DOCUMENTS

[76] Inventor: James F. Croushore, 43 E. Second Ave., Latrobe, Pa. 15650

D. 49,843	11/1916	Chase	D21/109
1,289,928	12/1918	Schlattau	46/41
2,301,427	11/1942	Lyon	46/8

[**] Term: 14 Years

Primary Examiner—Charles A. Rademaker

[21] Appl. No.: 952,001

[57]

CLAIM

The ornamental design for a water toy, as shown.

[22] Filed: Oct. 16, 1978

DESCRIPTION

[51] Int. Cl. D21-01

[52] U.S. Cl. D21/59; D21/124

[58] Field of Search D21/59, 61, 64, 109, D21/114, 124; 46/174, 175, 189, 41

FIG. 1 is a perspective view of a water toy showing my new design;

FIG. 2 is a top plan view thereof shown on a reduced scale;

FIG. 3 is a front elevational view thereof; and

FIG. 4 is a left side elevational view thereof.

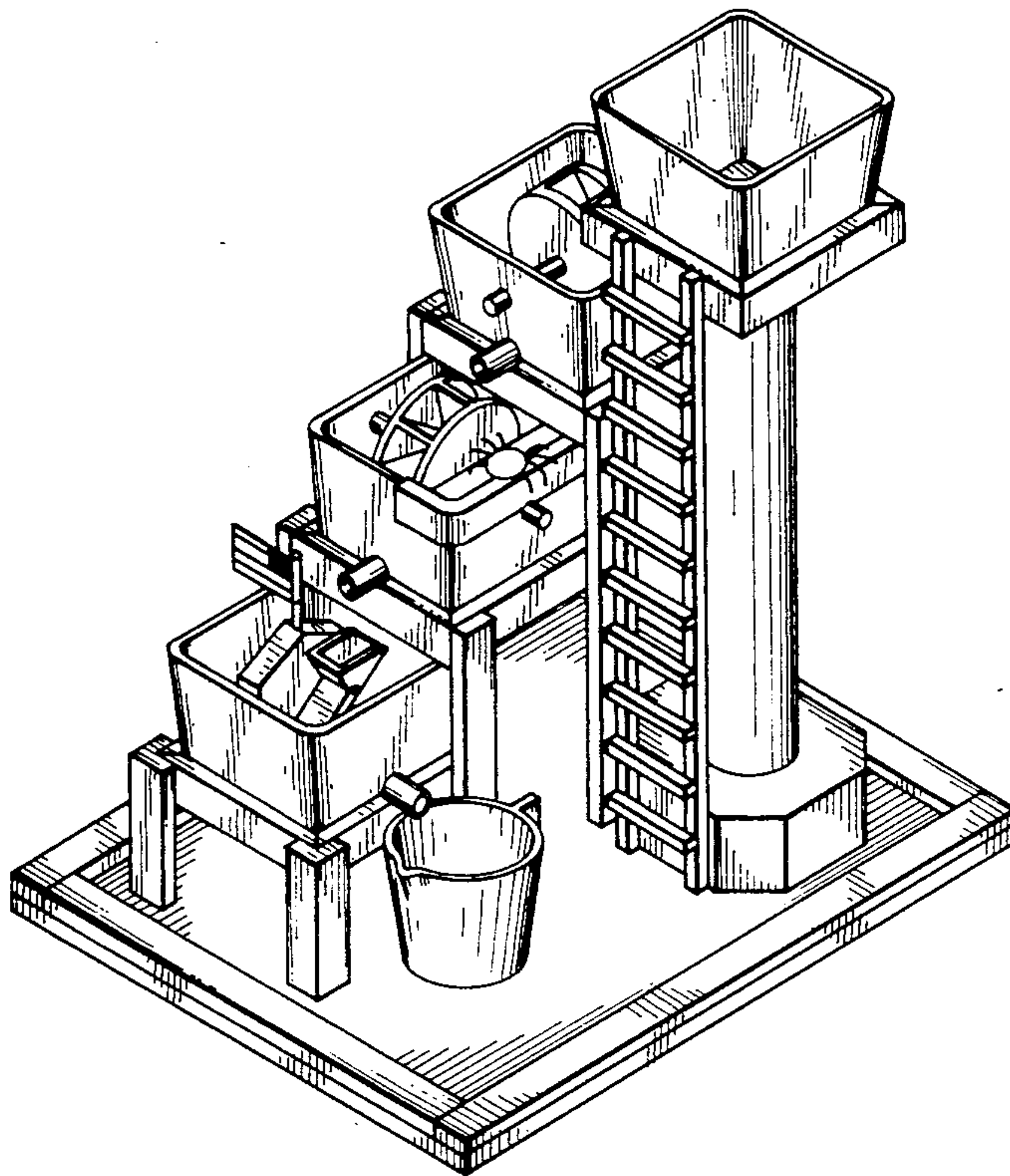


FIG. 1

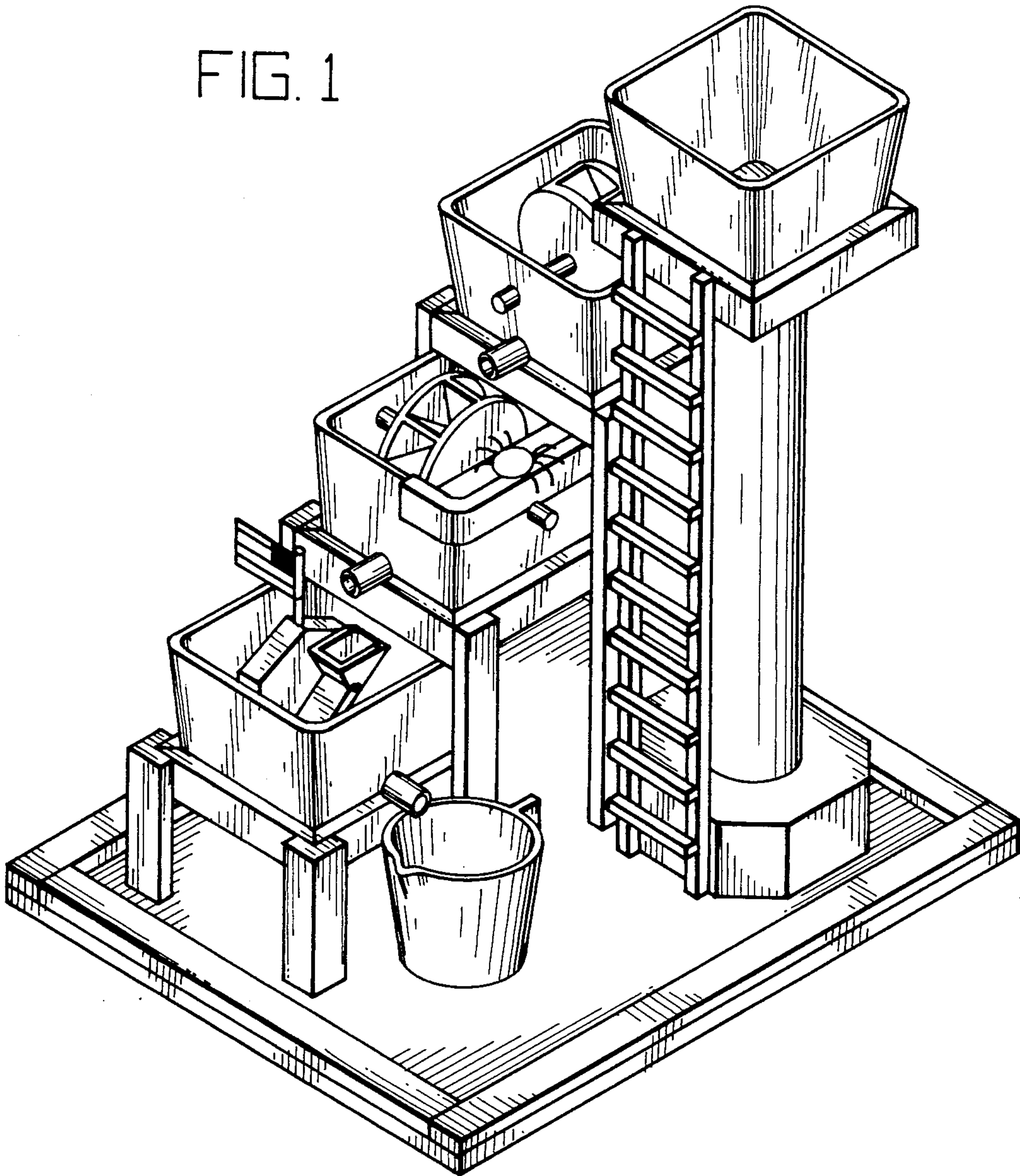


FIG. 2

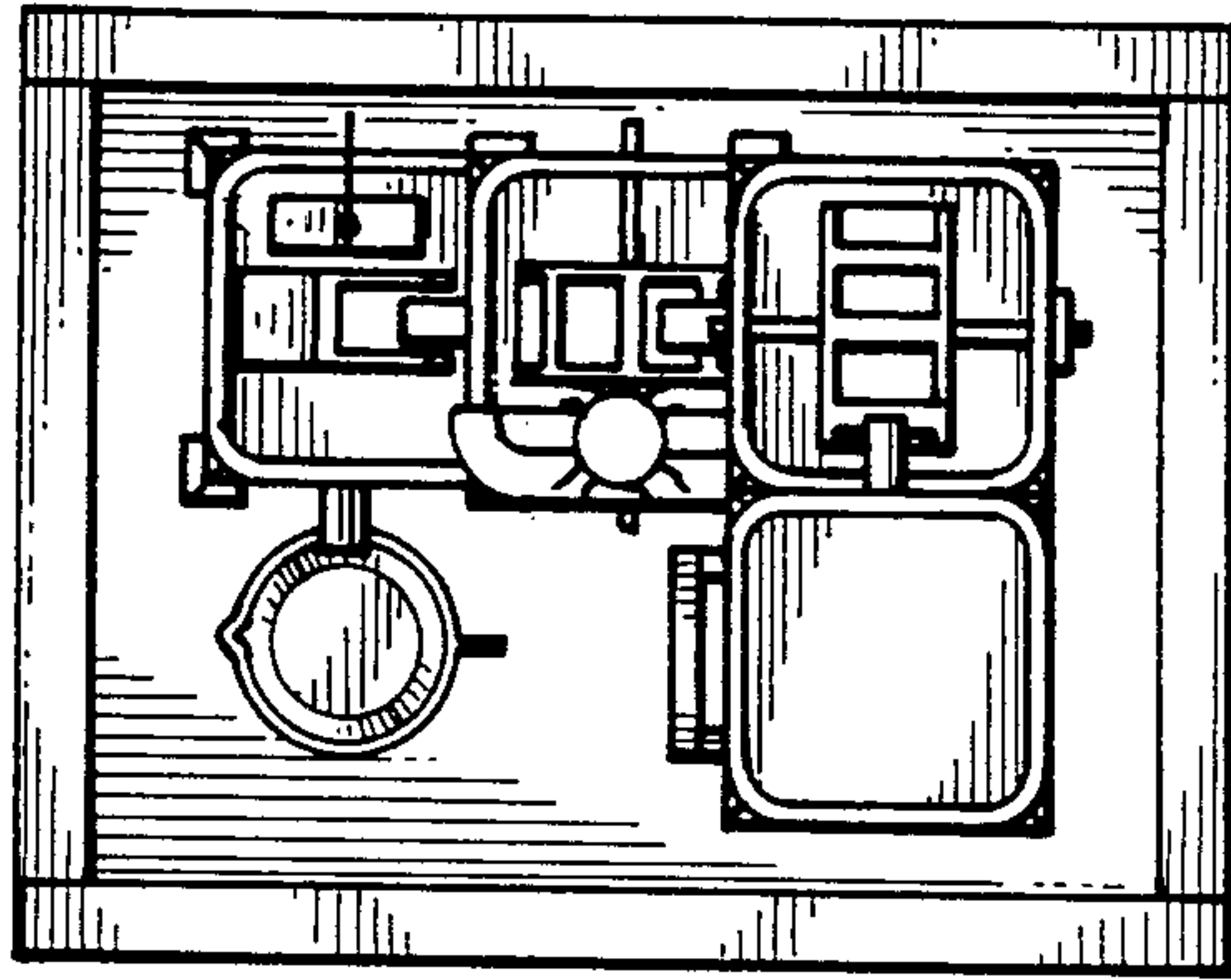


FIG. 3

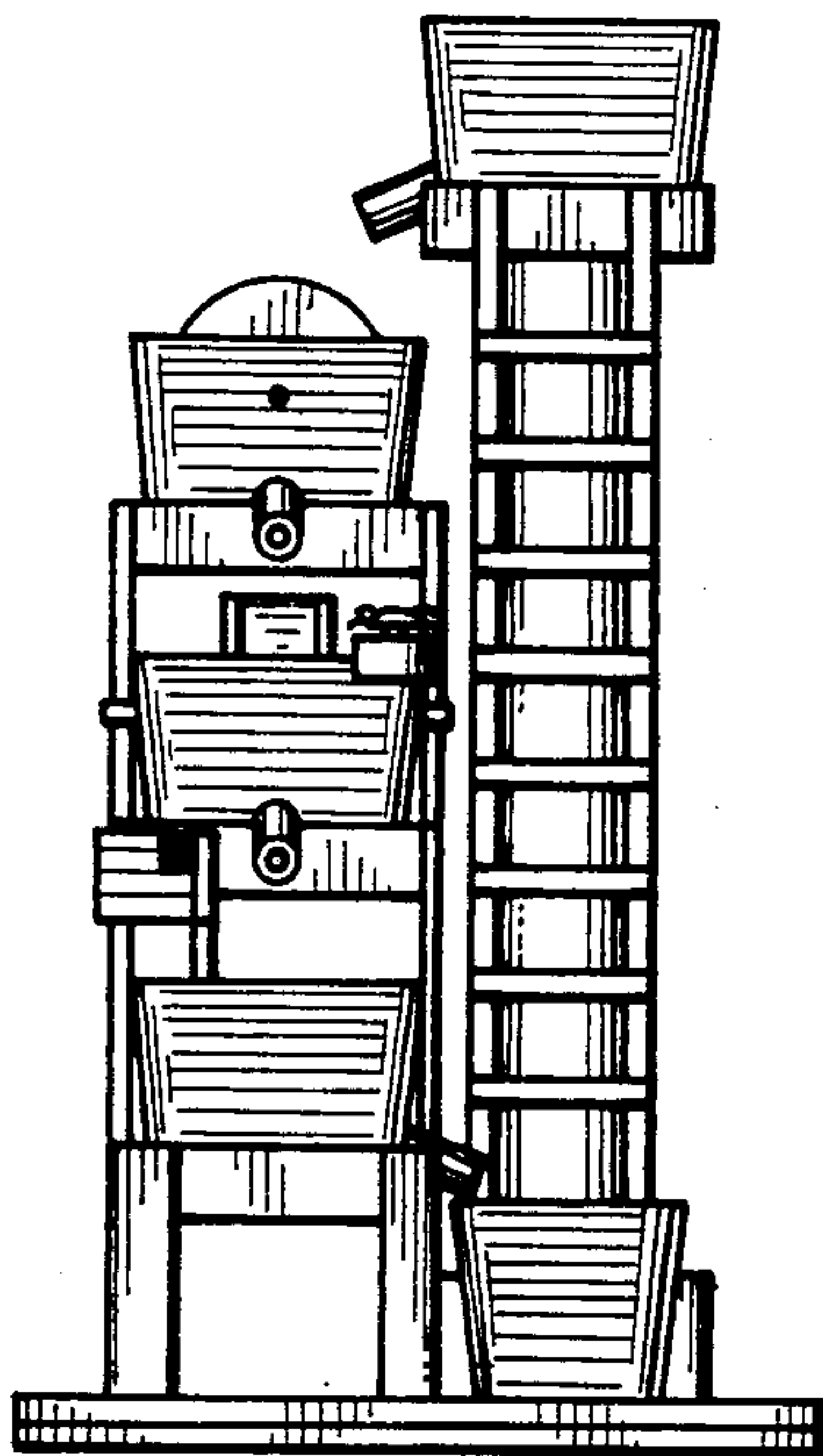


FIG. 4

