

[54] TELEPHONE INDEX

[75] Inventor: Hans Halm, Herne, Fed. Rep. of Germany

[73] Assignee: Confon AG, St. Gallen, Switzerland

[**] Term: 14 Years

[21] Appl. No.: 37,336

[22] Filed: May 9, 1979

[51] Int. Cl. D19-02

[52] U.S. Cl. D19/76

[58] Field of Search D19/20, 21, 25, 75, D19/76, 86-89, 92; 40/371, 372, 375, 389, 390, 405; 281/15 B, 45

[56] References Cited

U.S. PATENT DOCUMENTS

D. 231,953	6/1974	Beger	D19/76
D. 232,867	9/1974	Kit	D19/76
D. 250,413	11/1978	Halm	D19/76

D. 252,465	7/1979	Halm	D19/76
3,897,644	8/1975	Ippen	D19/76

Primary Examiner—George P. Word
Attorney, Agent, or Firm—Toren, McGeady and Stanger

[57] CLAIM

The ornamental design for a telephone index, as shown and described.

DESCRIPTION

FIG. 1 is a perspective view of a telephone index showing my new design with the drawer in the closed position;

FIG. 2 is a perspective view as in FIG. 1 but with the drawer in the open position;

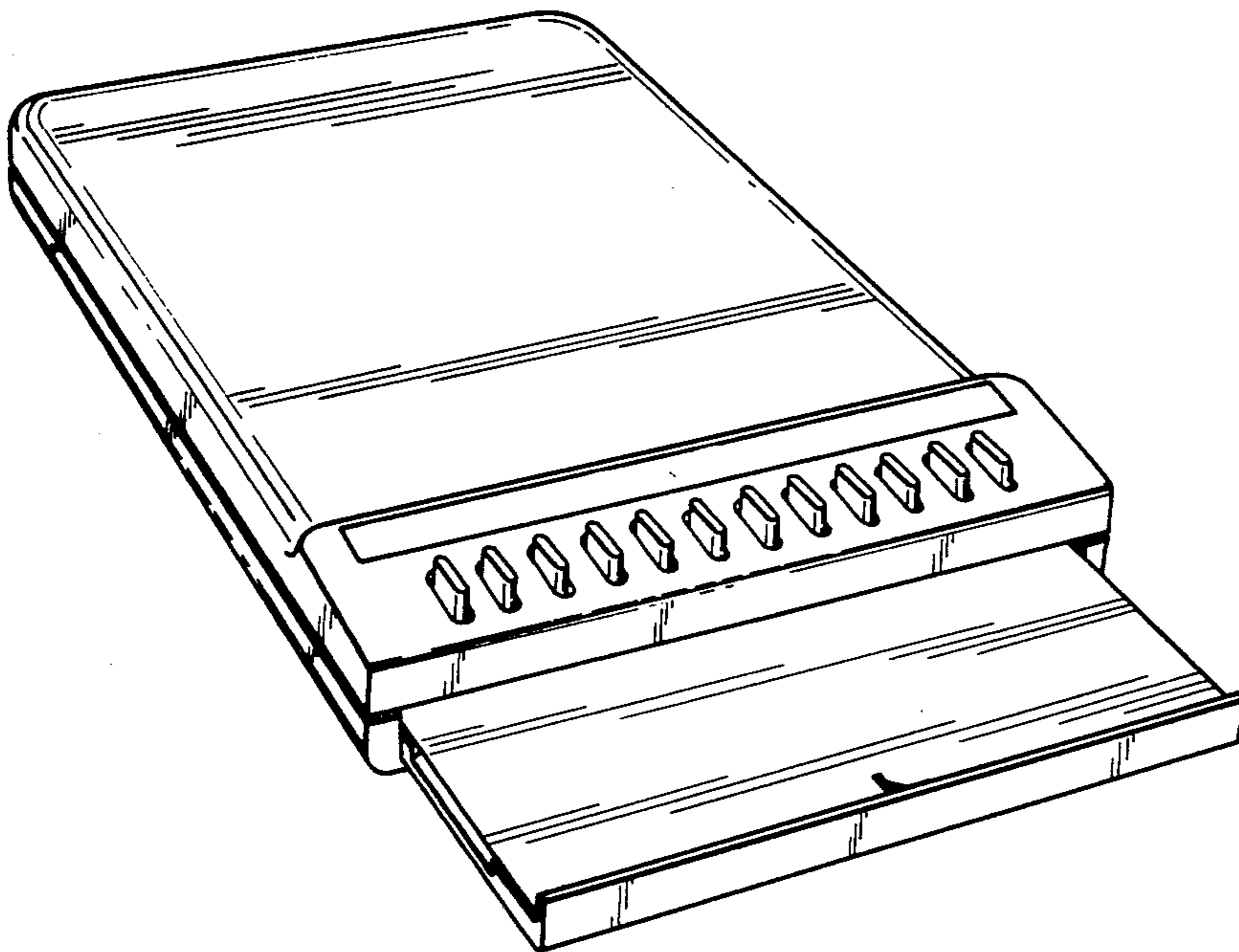
FIG. 3 is a top plan view thereof with the drawer closed;

FIG. 4 is a front elevational view thereof;

FIG. 5 is a rear elevational view thereof;

FIG. 6 is a right side elevational view thereof; and

FIG. 7 is a bottom plan view thereof.



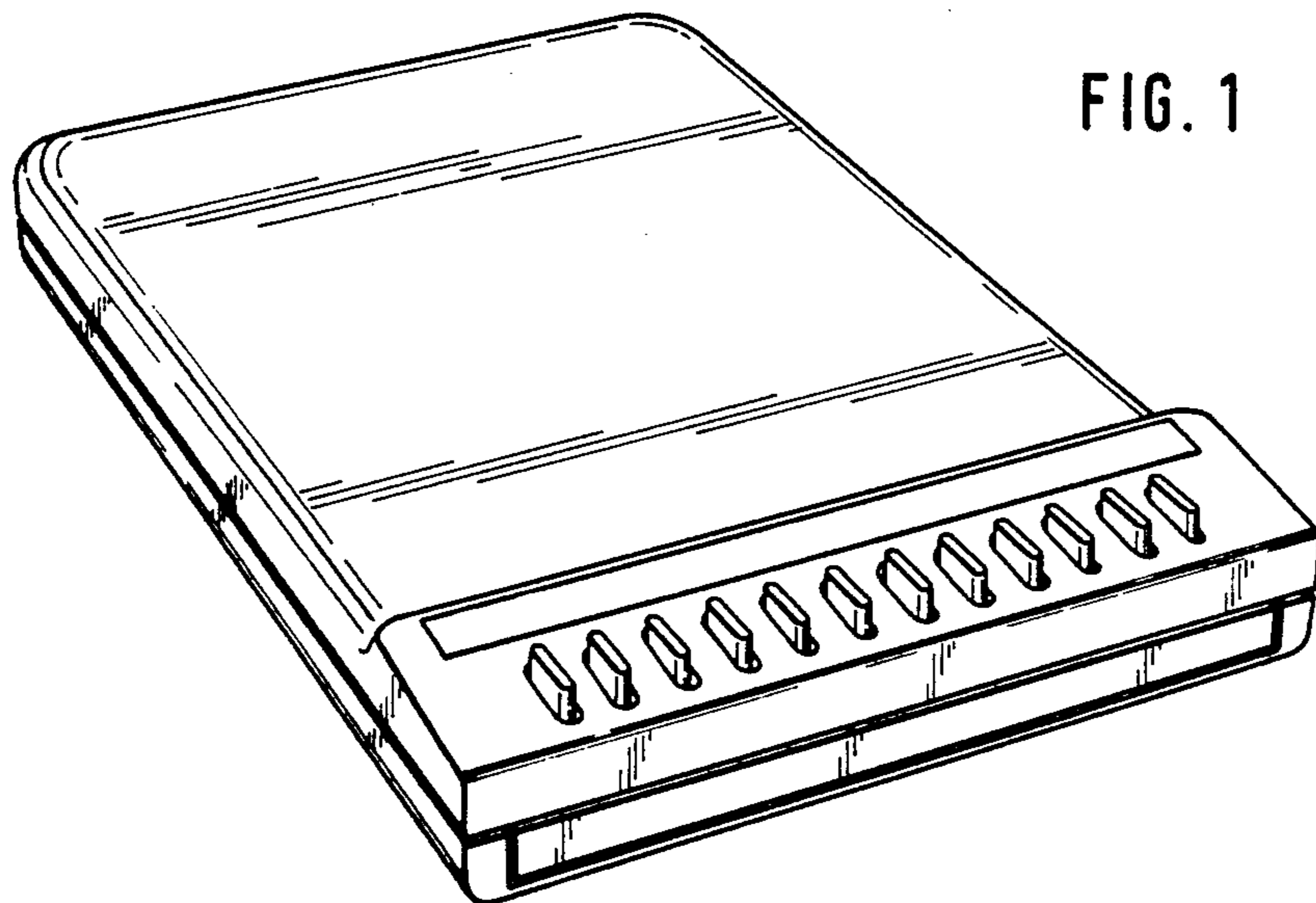


FIG. 1

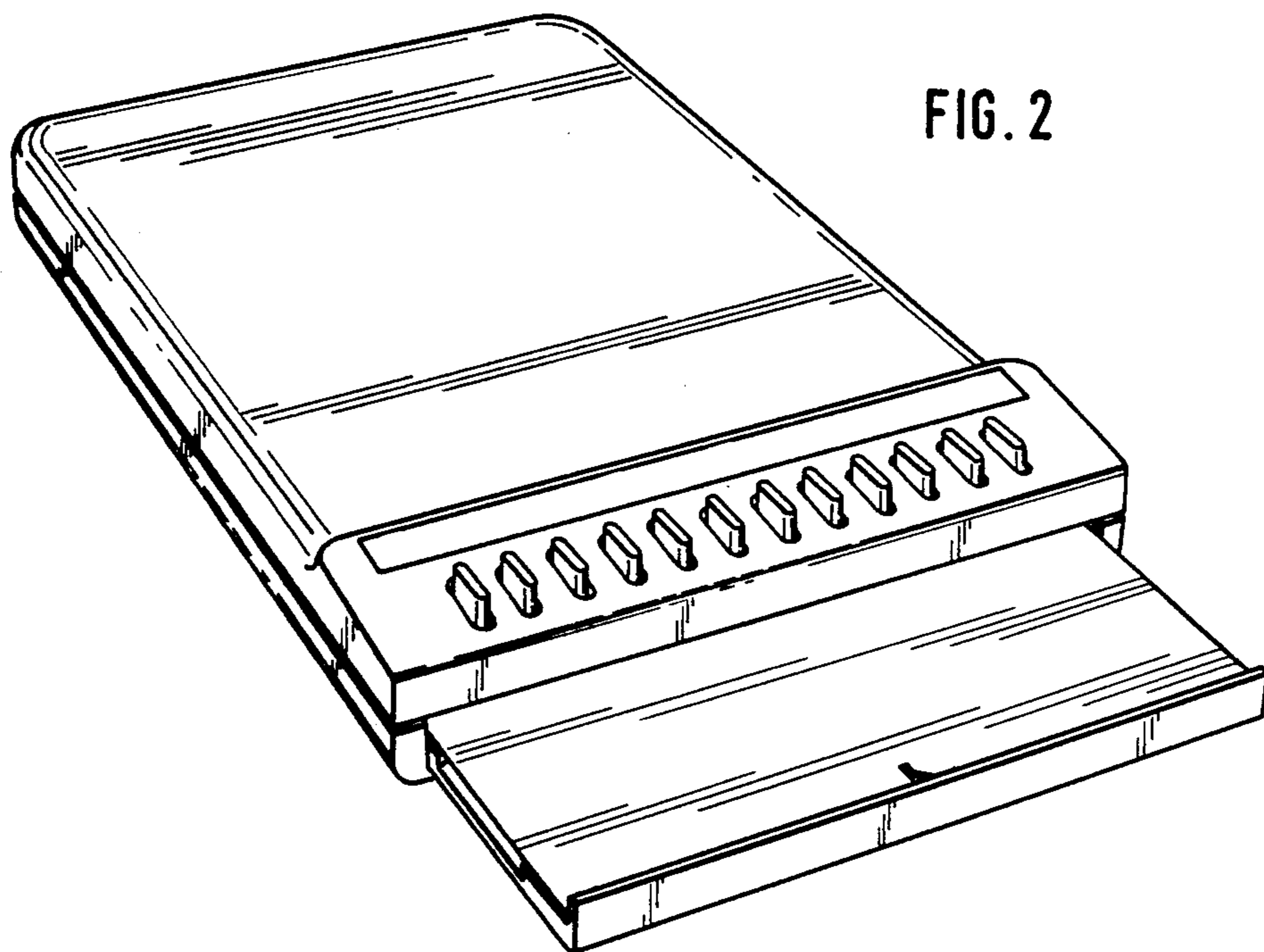


FIG. 2

FIG. 3

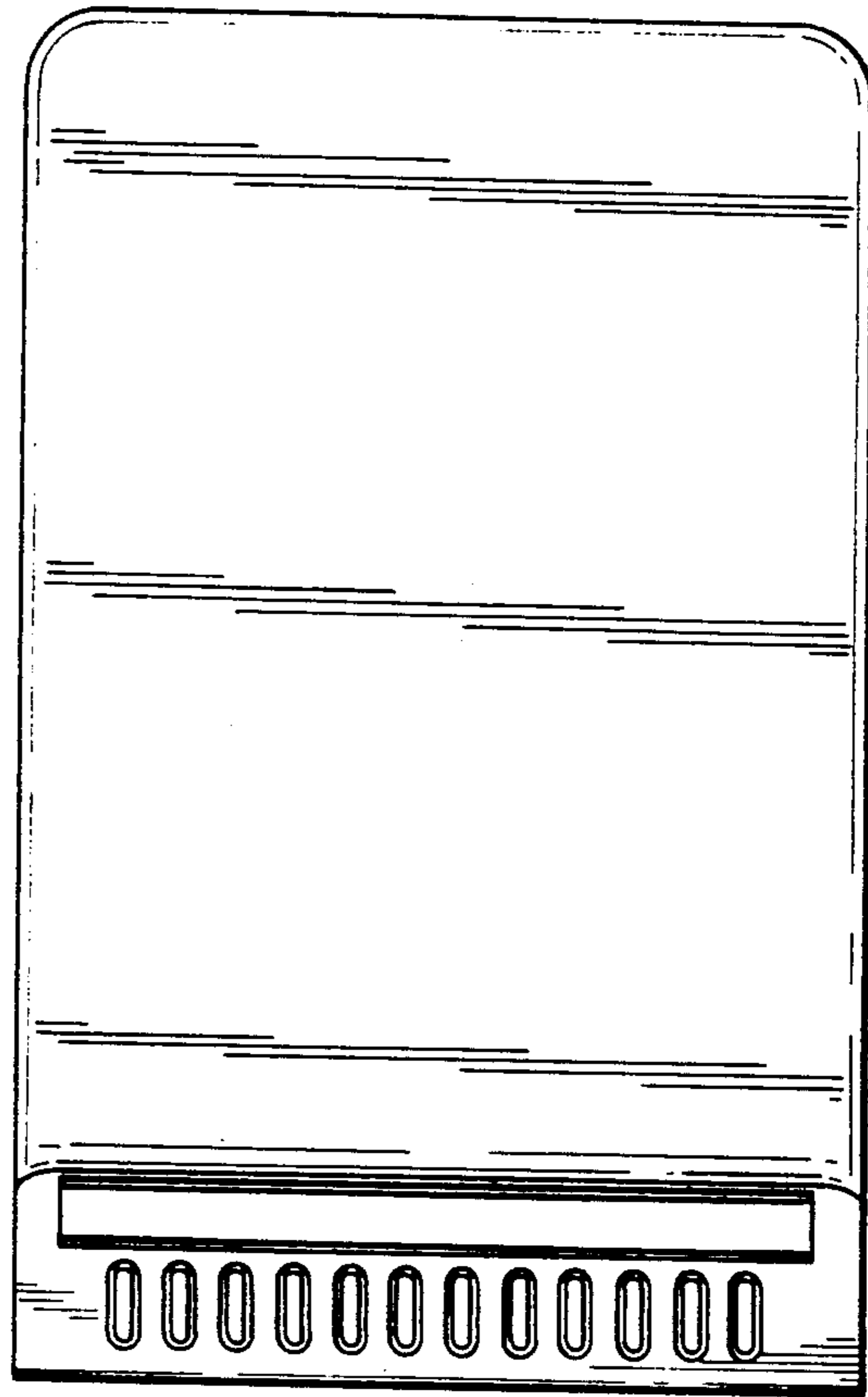


FIG. 4

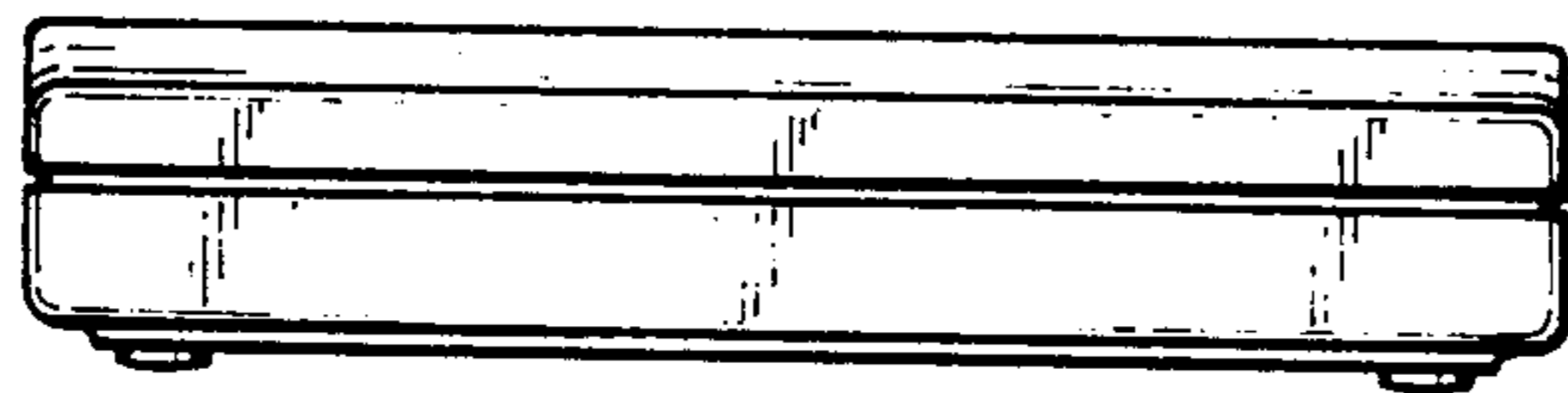


FIG. 5

FIG. 6

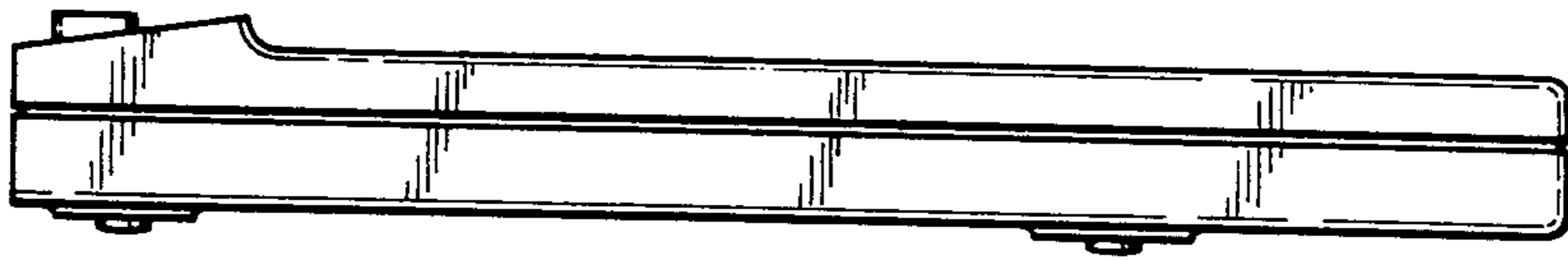


FIG. 7

