

[54] RIBBON CARTRIDGE

[75] Inventors: Morton L. Havey, Dallas; Richard N. Pufpaff, Irving, both of Tex.

[73] Assignee: Recognition Equipment Incorporated, Dallas, Tex.

[**] Term: 14 Years

[21] Appl. No.: 938,137

[22] Filed: Aug. 30, 1978

[51] Int. Cl. D18-99

[52] U.S. Cl. D18/12; D14/11

[58] Field of Search D14/11; 242/55, 200, 242/19, 194-199; 400/208, 208.1, 207, 196, 196.1; D18/12

[56] References Cited

U.S. PATENT DOCUMENTS

D. 221,903	9/1971	De Vries	D14/11
D. 231,800	6/1974	Castro	D14/11 X
D. 245,116	7/1977	Trezise	D14/11 X
D. 245,726	9/1977	Sottsass	D14/11 X
D. 250,613	12/1978	Goodman et al.	D14/11 X
3,354,776	11/1967	Smitzer et al.	242/200 X
3,964,595	6/1976	Edstrom	400/208 X

Primary Examiner—Bernard Ansher
Attorney, Agent, or Firm—John E. Vandigriff

[57] CLAIM

The ornamental design for a ribbon cartridge, as shown.

DESCRIPTION

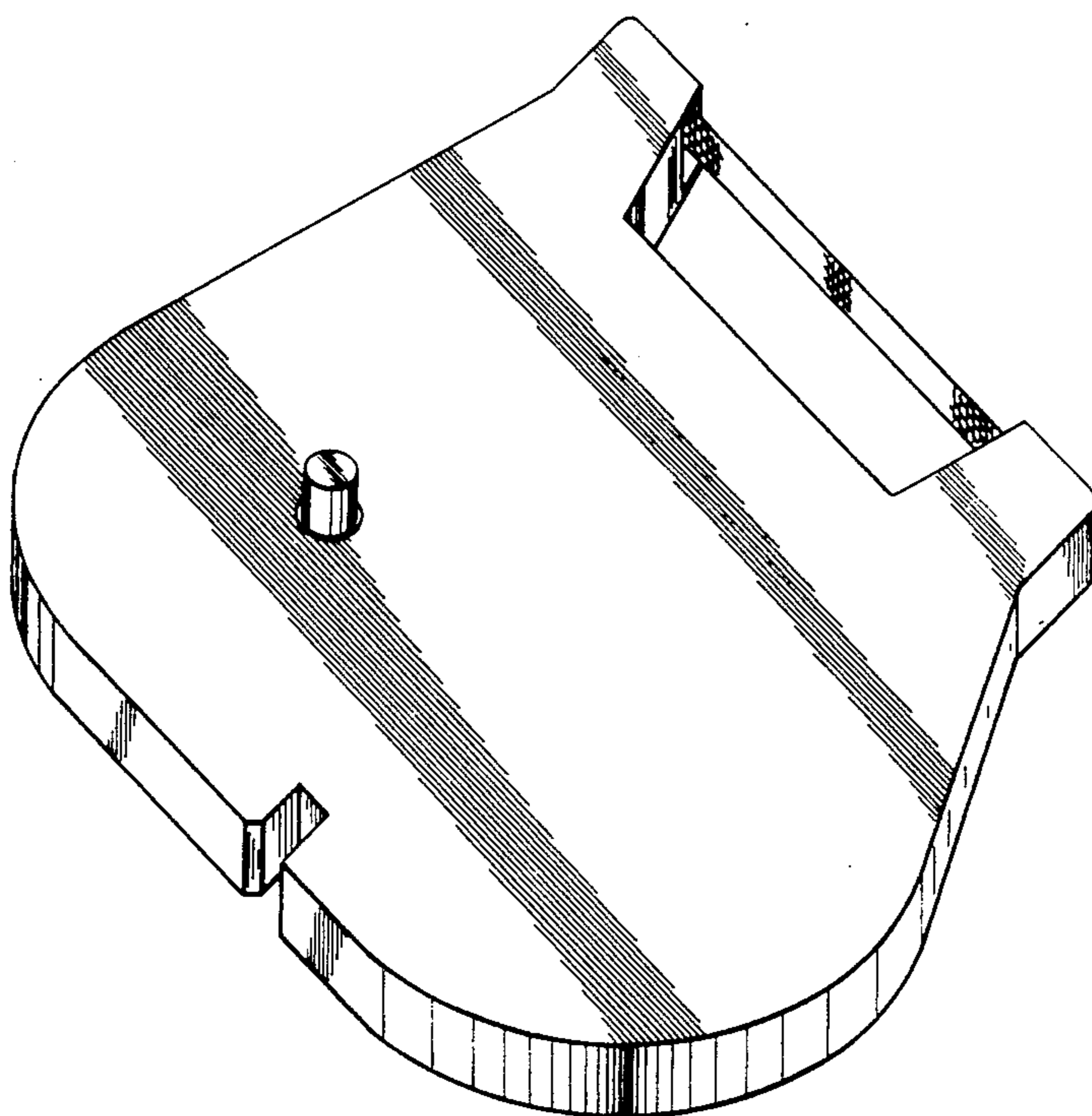
FIG. 1 is a perspective view of a ribbon cartridge showing our design;

FIG. 2 is a top plan view thereof;

FIG. 3 is a bottom plan view thereof;

FIG. 4 is an end elevational view thereof; and

FIG. 5 is an end elevational view taken from the end opposite of that shown in FIG. 4.



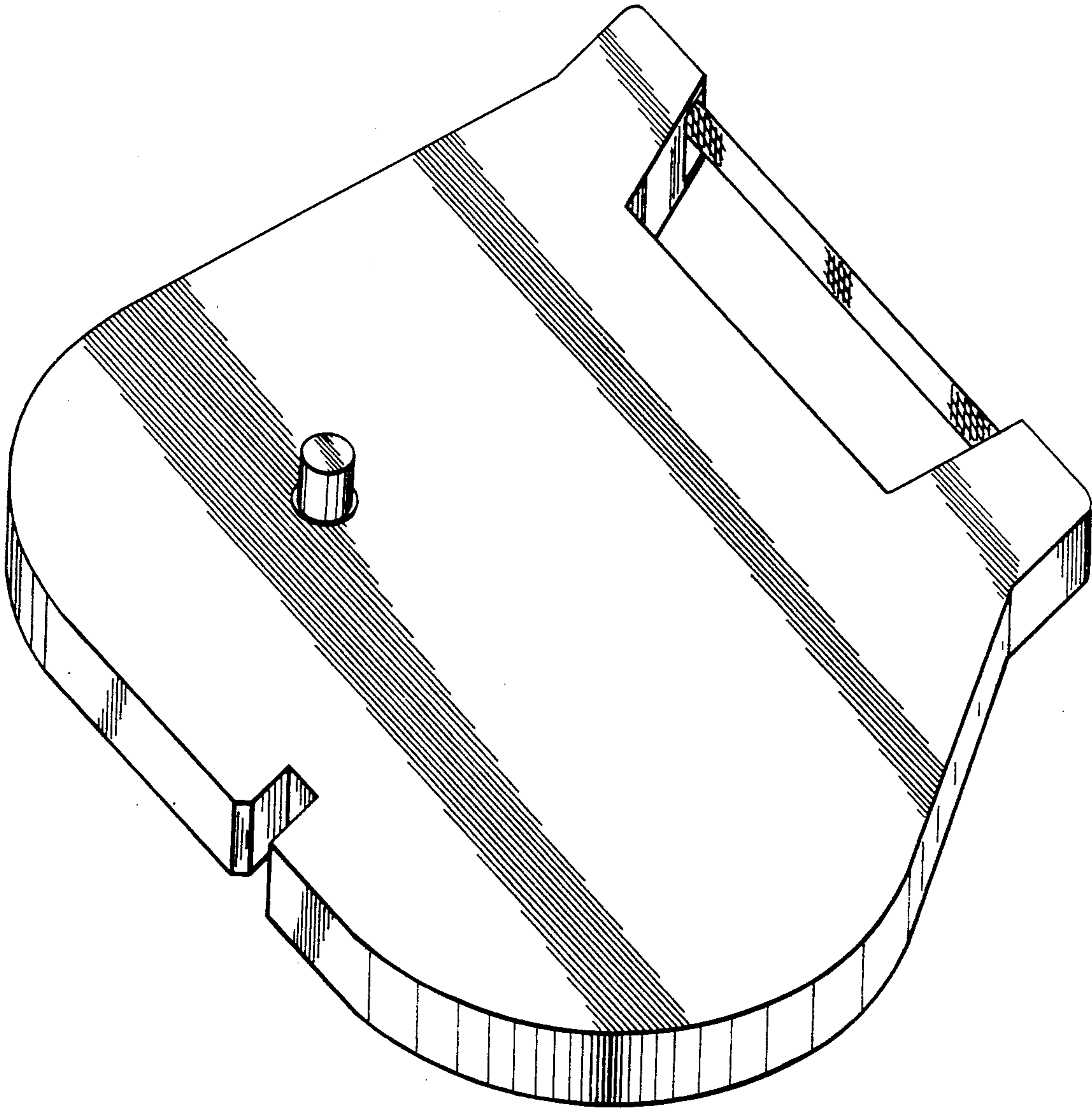


FIG. 1

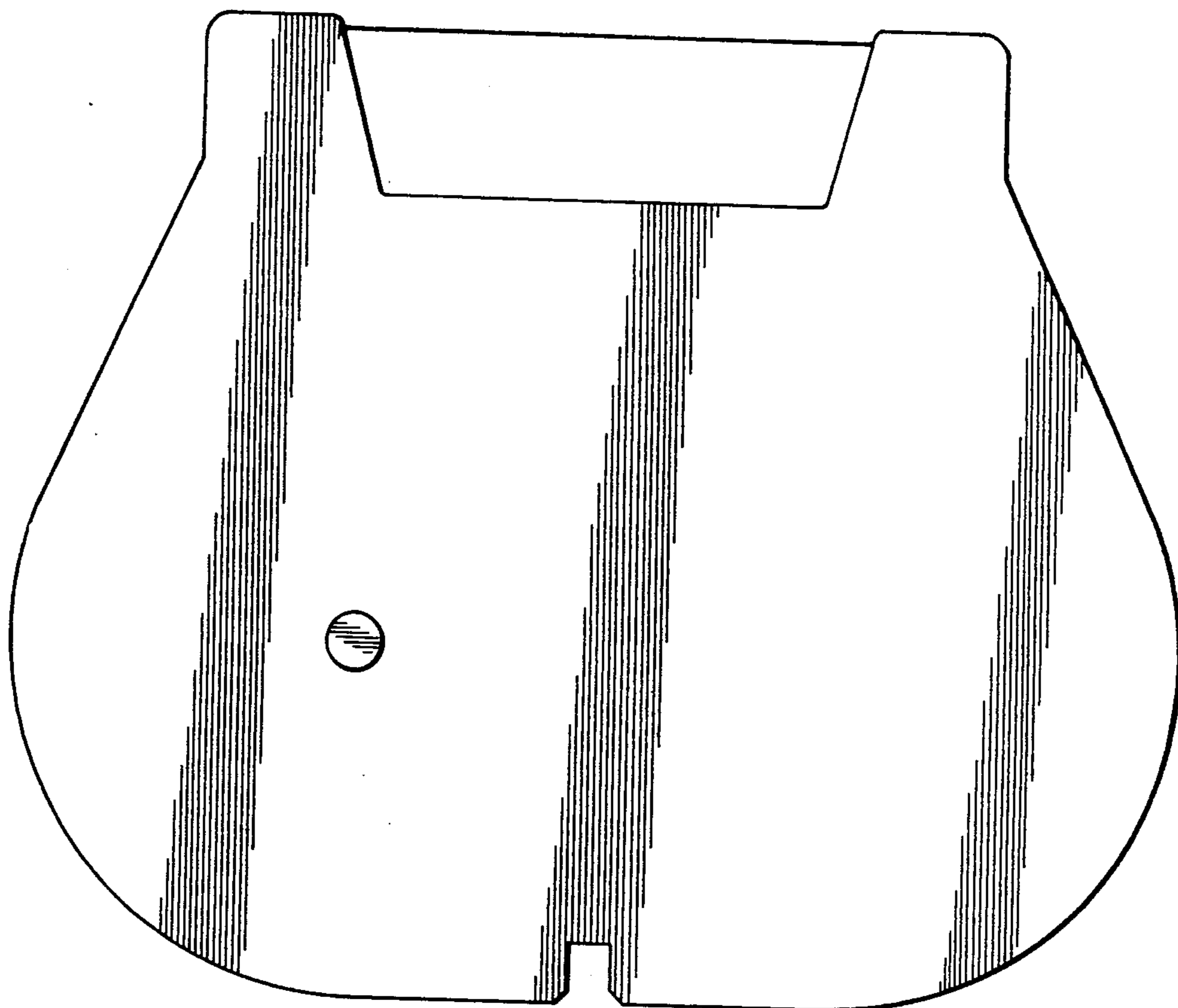


FIG. 2



FIG. 4

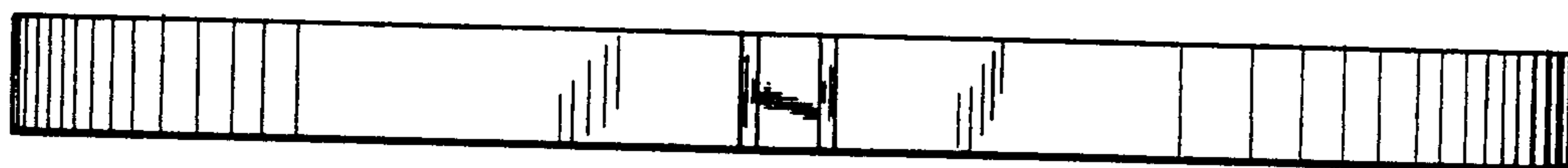


FIG. 5

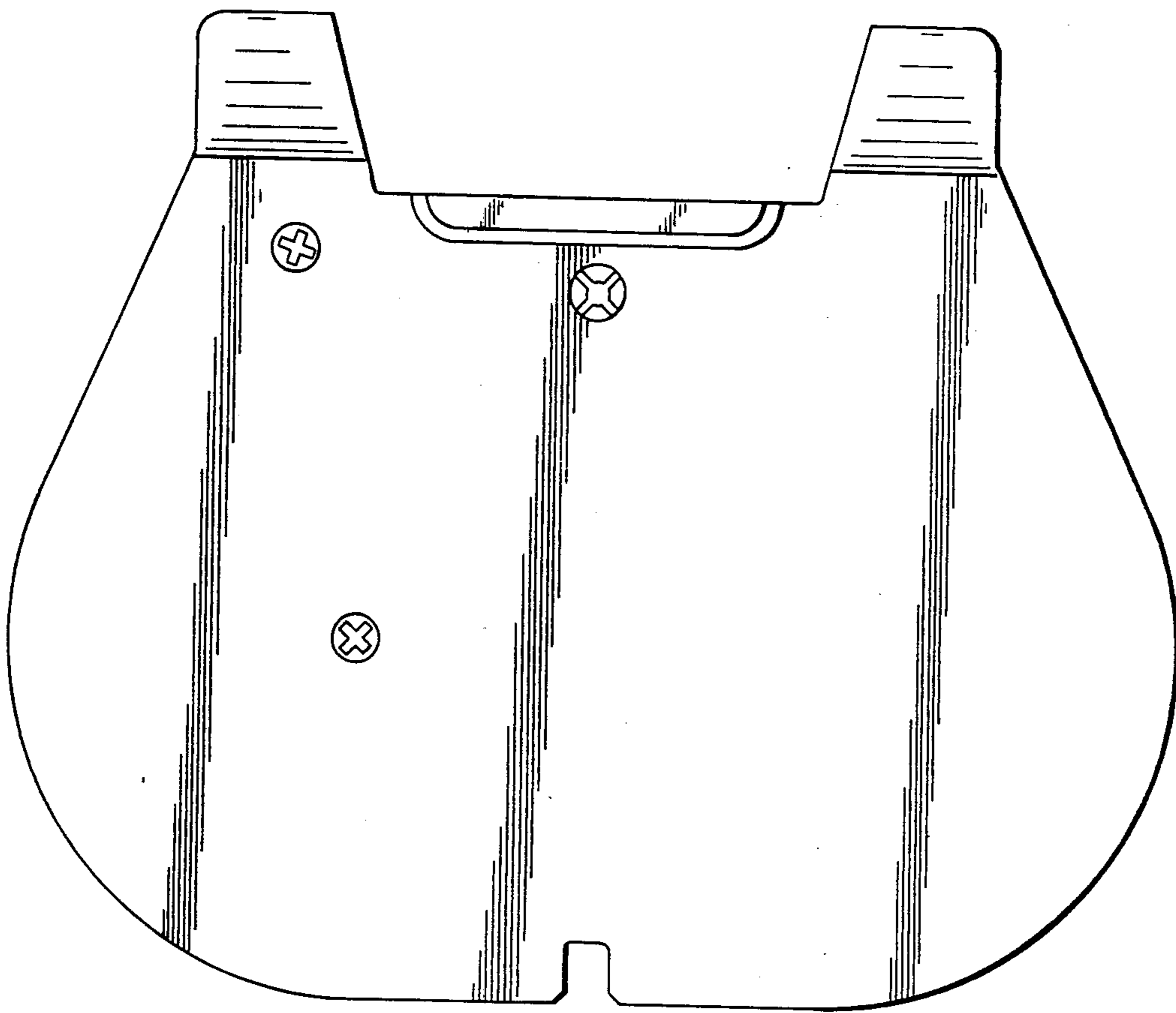


FIG. 3