

- [54] VEGETABLE SLICER HOUSING
- [75] Inventor: Einar O. Engebretsen, Troy, Ohio
- [73] Assignee: Hobart Corporation, Troy, Ohio
- [\*\*] Term: 14 Years
- [21] Appl. No.: 971,950
- [22] Filed: Dec. 21, 1978
- [51] Int. Cl. .... D15-08; D7-04
- [52] U.S. Cl. .... D15/97; D7/153
- [58] Field of Search ..... D7/153; D15/95, 97;  
241/92

1,964,437 6/1934 Klein ..... 241/92

Primary Examiner—Catherine E. Kemper  
Attorney, Agent, or Firm—Biebel, French & Nauman

[57] CLAIM

The ornamental design for a vegetable slicer housing, substantially as shown and described.

DESCRIPTION

FIG. 1 is a top front perspective view of a vegetable slicer housing, showing my new design;  
 FIG. 2 is a front view thereof shown on a larger scale;  
 FIG. 3 is a top view thereof;  
 FIG. 4 is a rear view thereof;  
 FIG. 5 is a bottom view thereof;  
 FIG. 6 is a side view thereof; and  
 FIG. 7 is a view of the side opposite that illustrated in FIG. 6.

- [56] **References Cited**
- U.S. PATENT DOCUMENTS**
- D. 156,487 12/1949 Darr ..... D15/95
- D. 231,711 5/1974 Prevot ..... D15/95

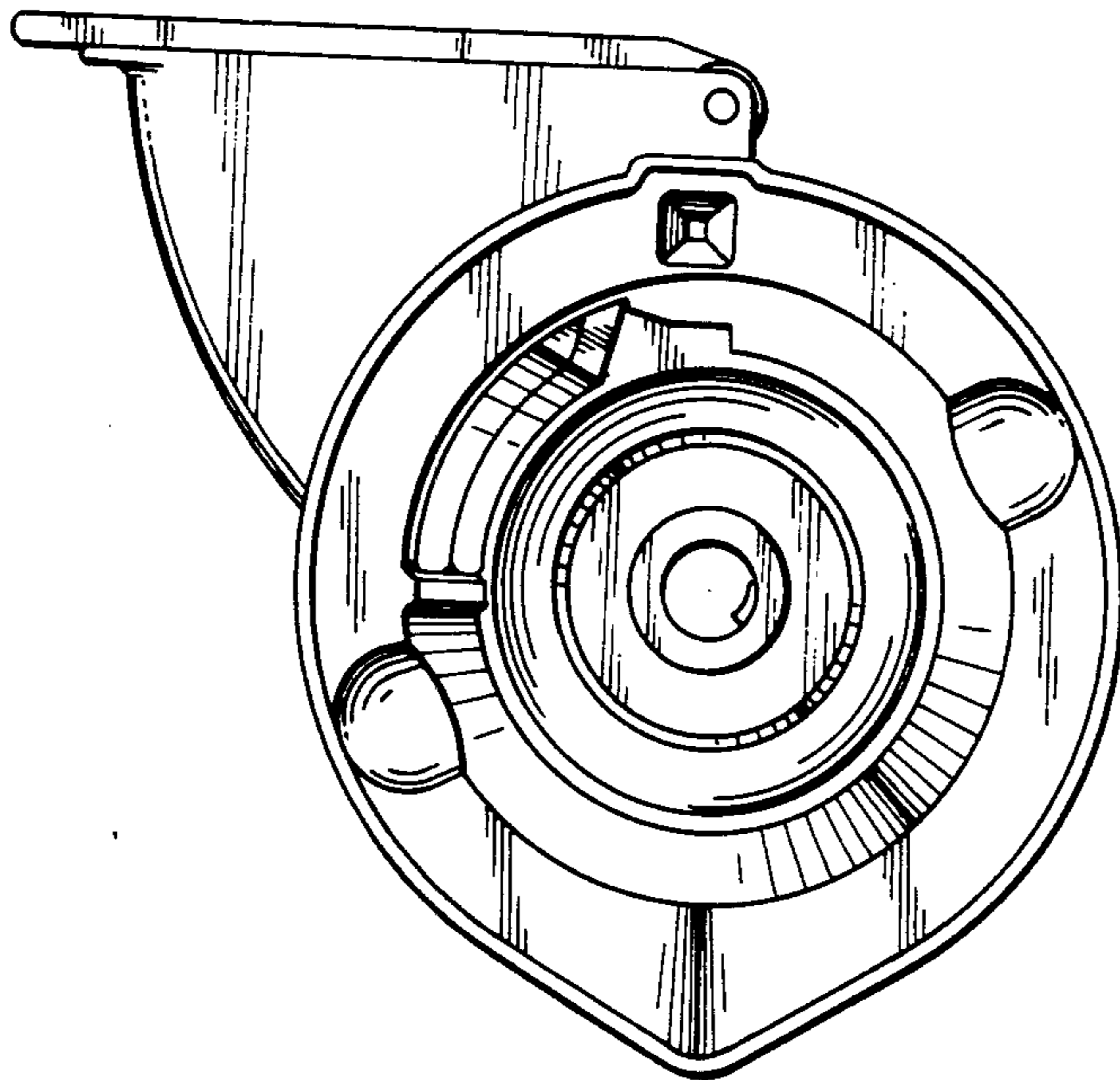


FIG-1

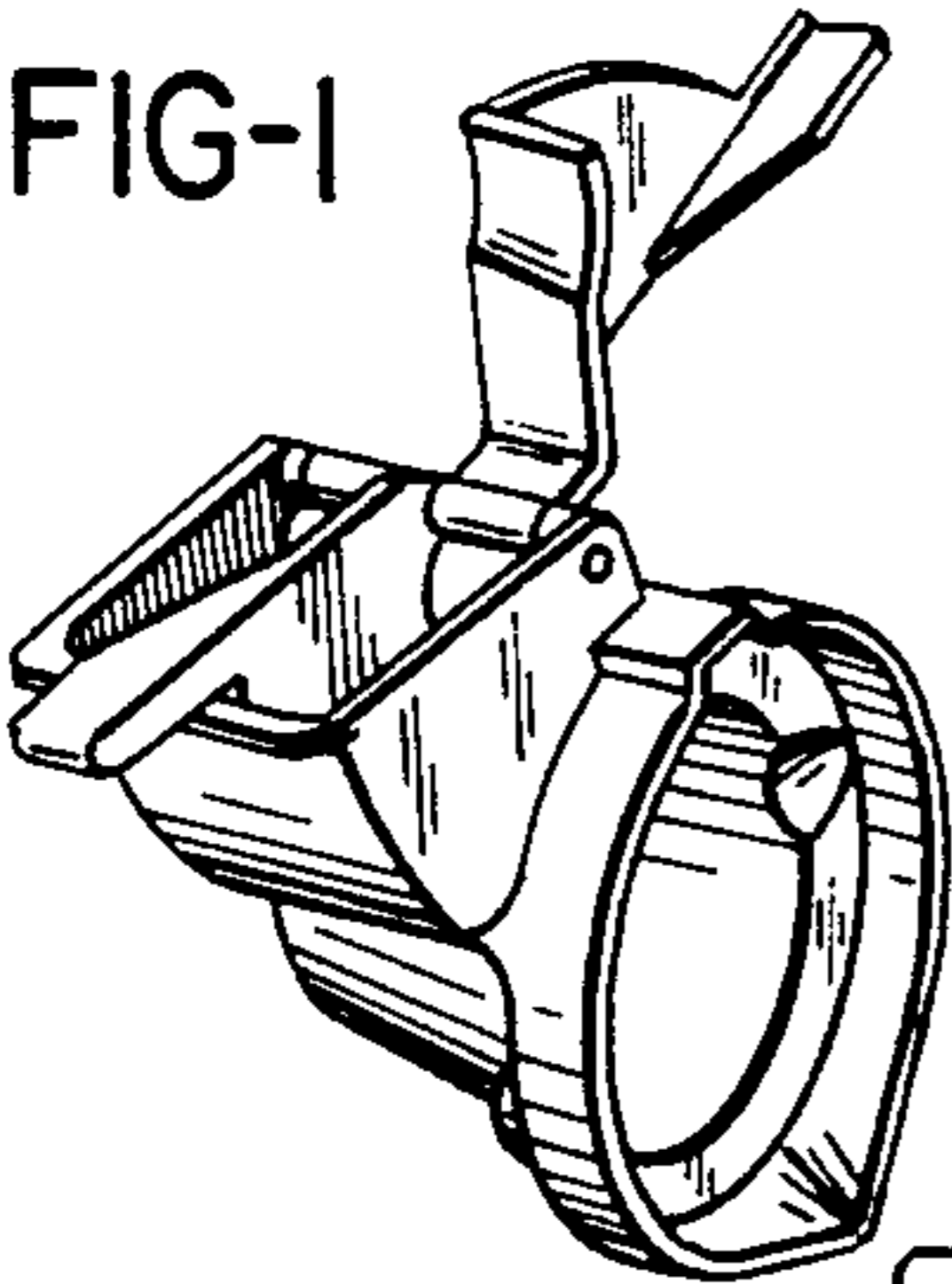


FIG-2

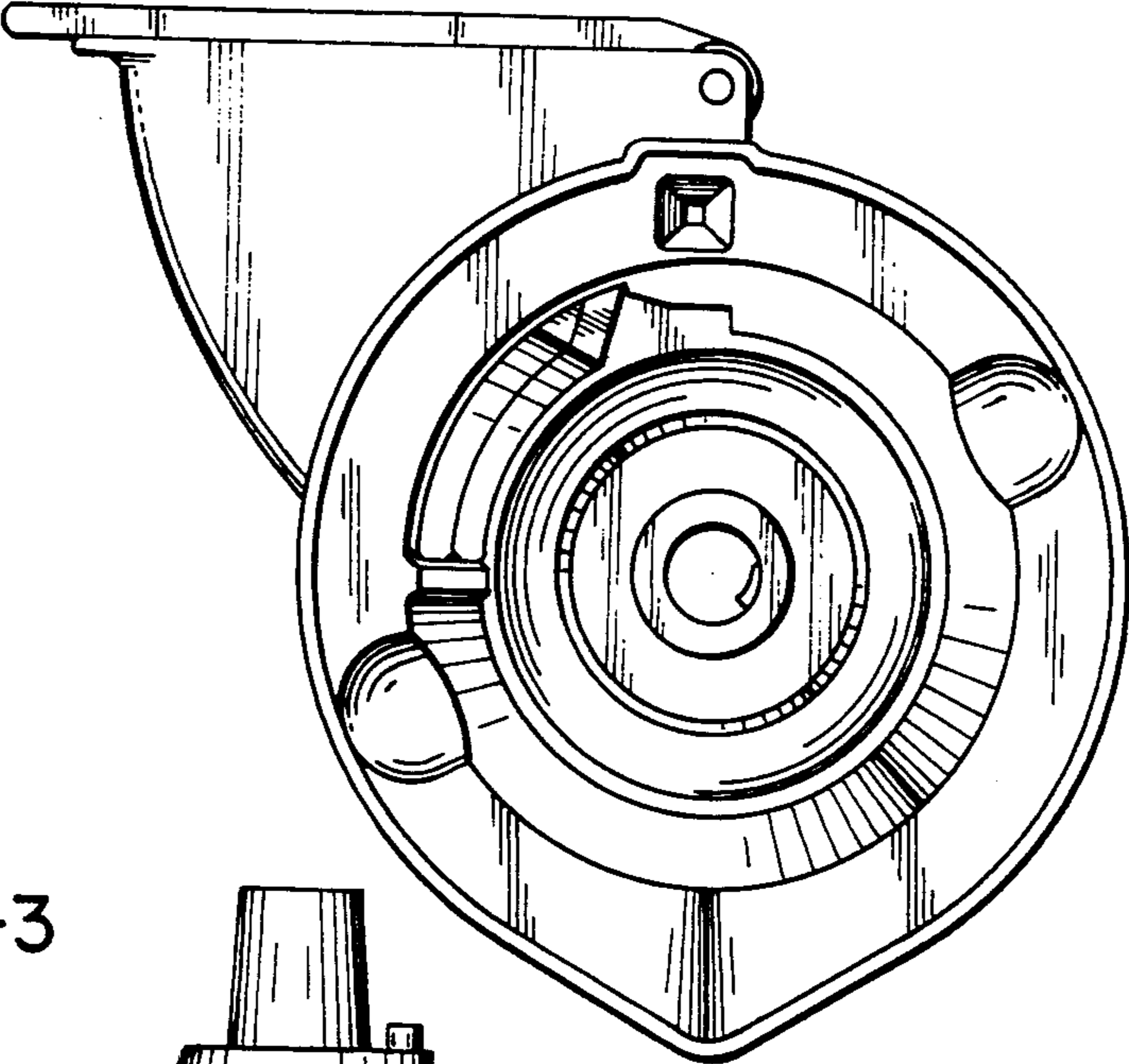


FIG-3

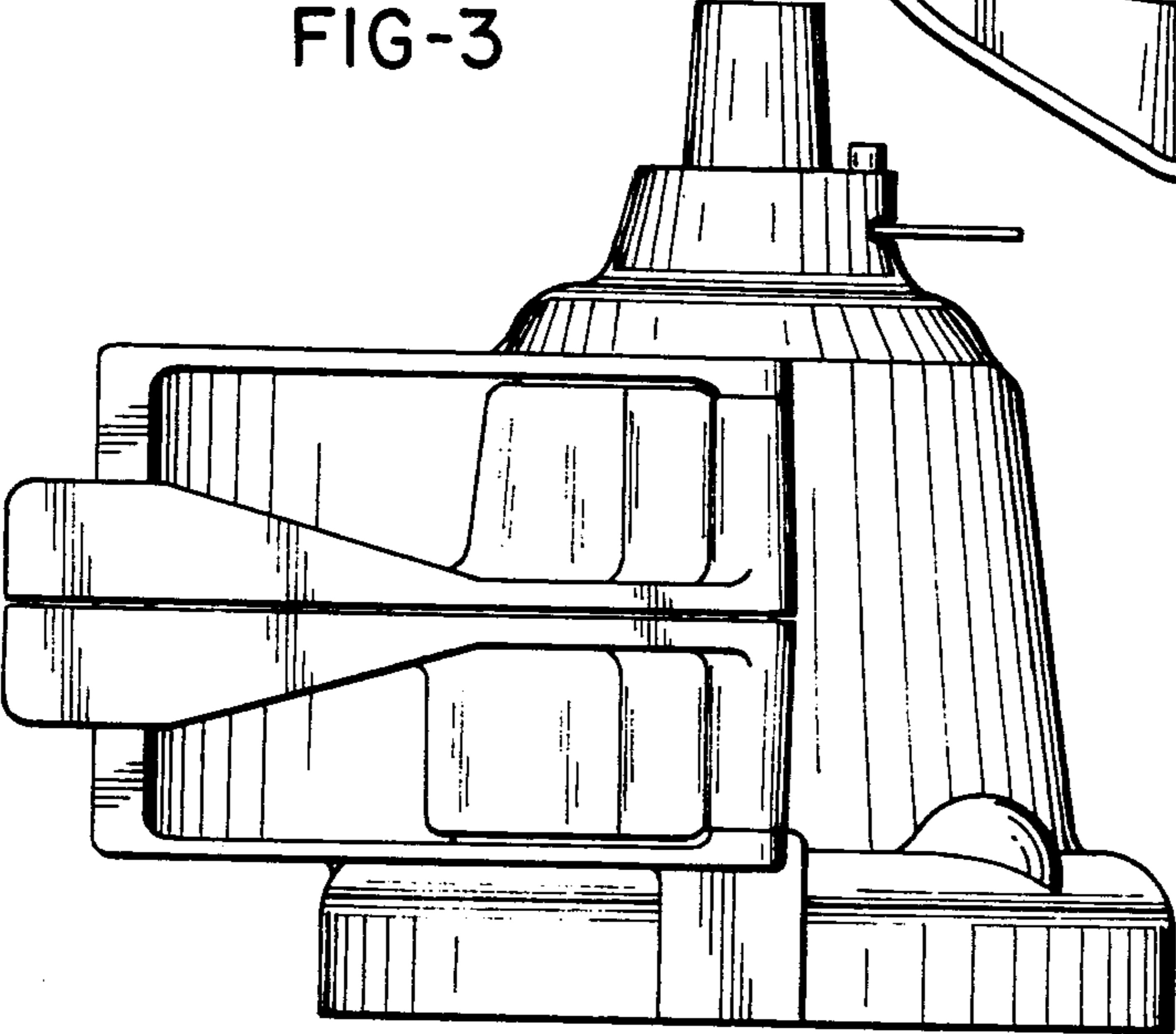


FIG-4

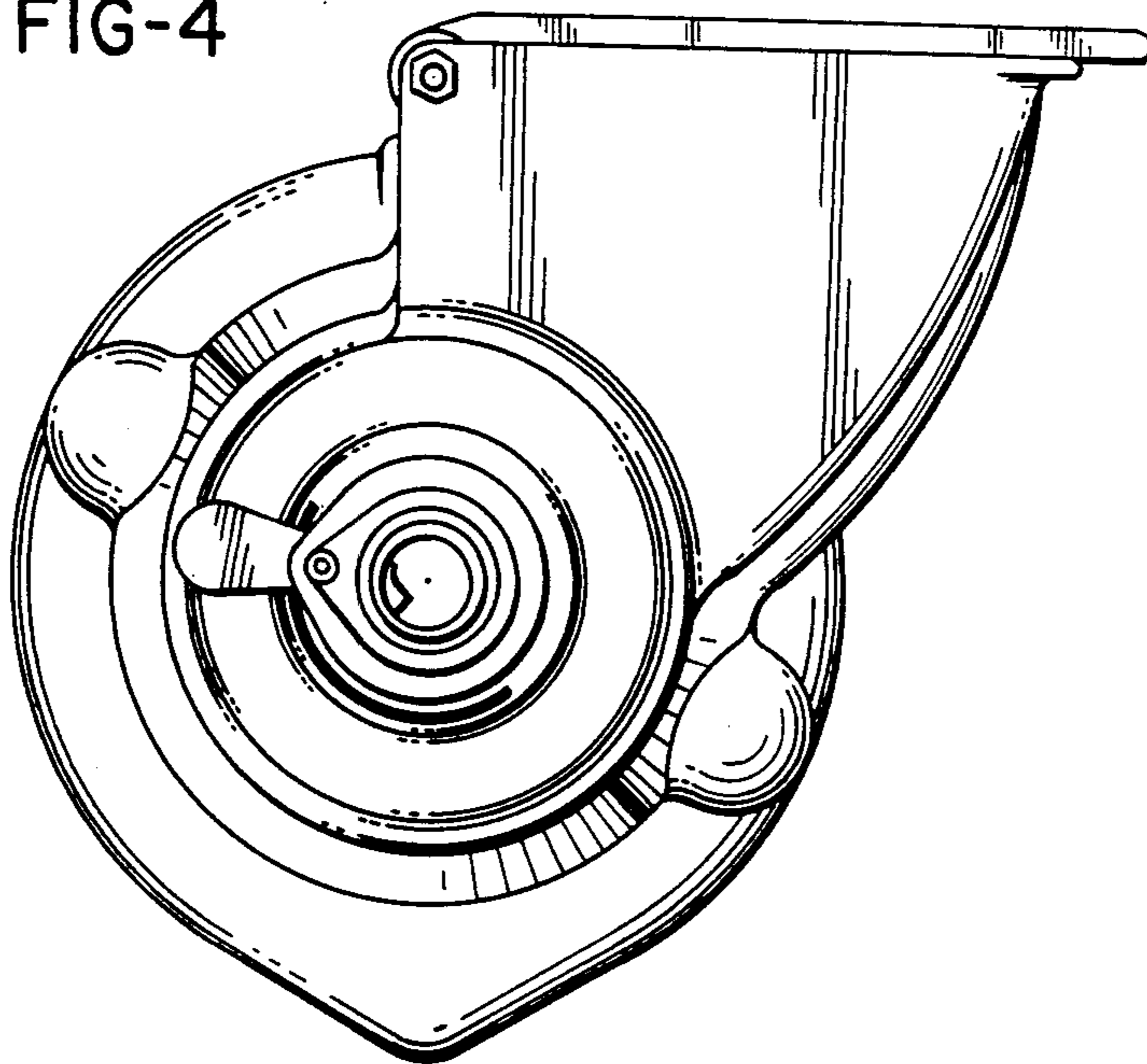


FIG-5

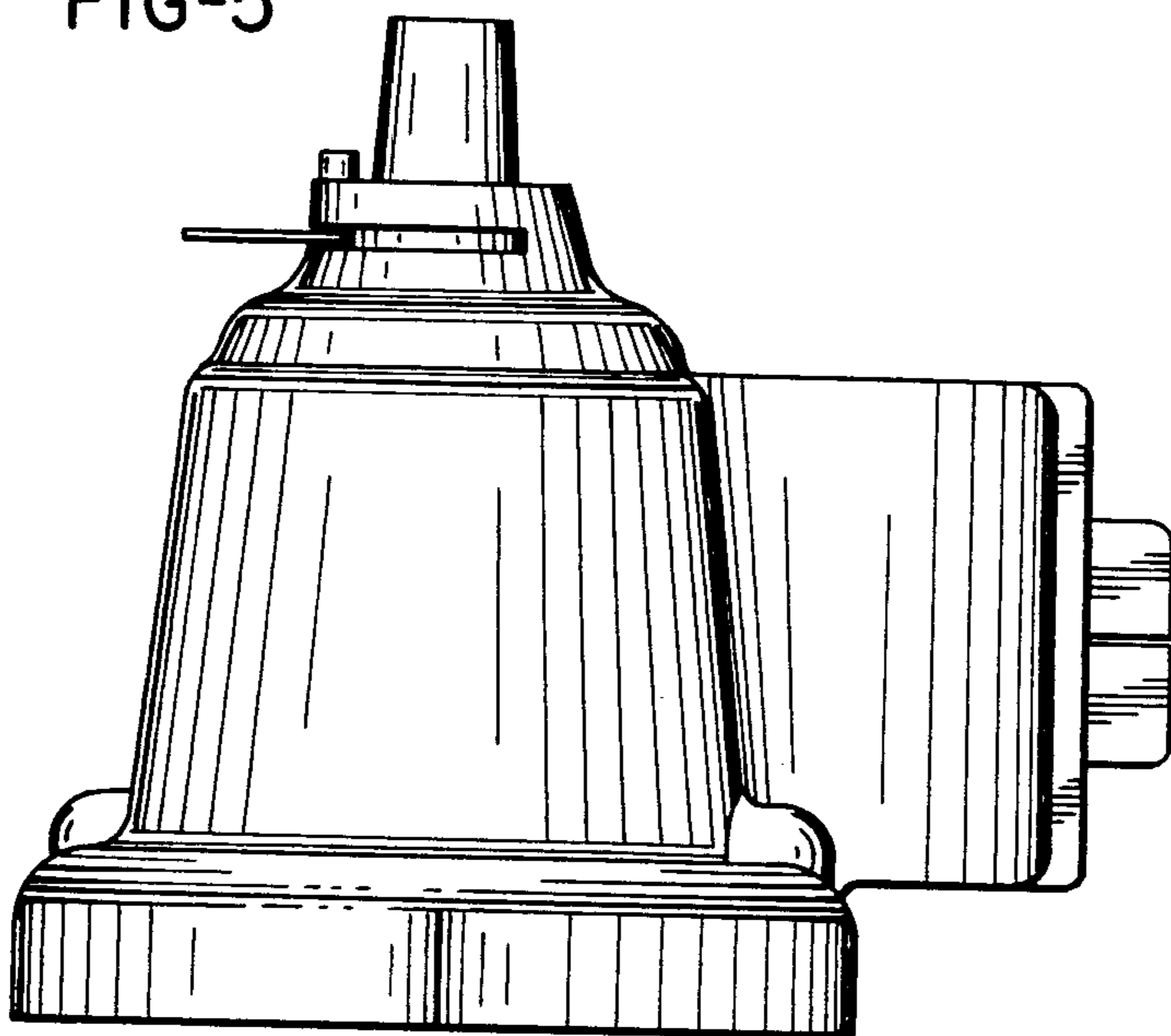


FIG-6

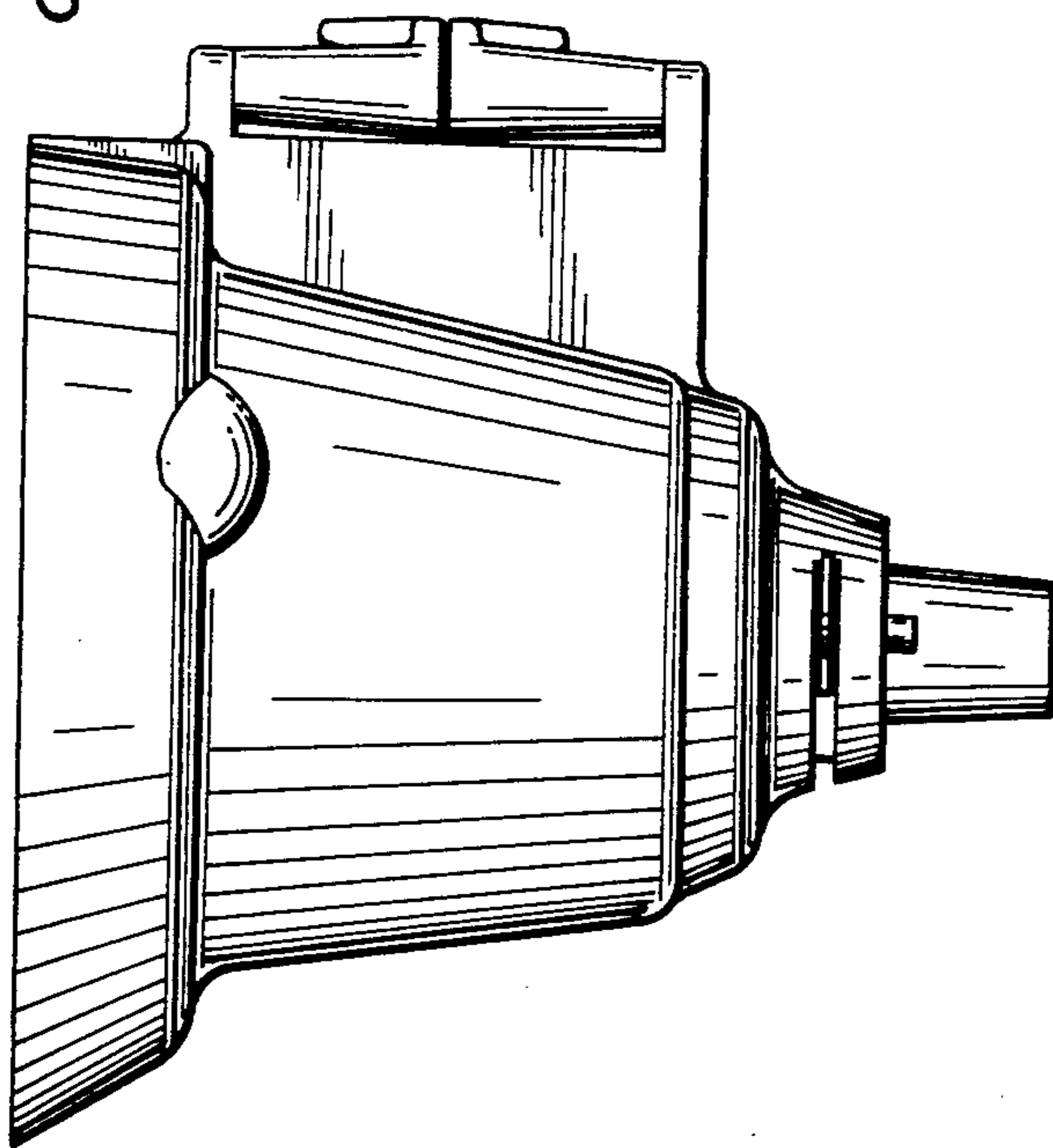


FIG-7

