

[54] VACUUM CLEANER

[75] Inventors: **Toshihiko Yoshida, Suita; Noriharu Furuyabu, Ashiya, both of Japan**

[73] Assignee: **Matsushita Electric Industrial Co., Ltd., Kadoma, Japan**

[\*\*] Term: **14 Years**

[21] Appl. No.: **968,669**

[22] Filed: **Dec. 12, 1978**

[30] **Foreign Application Priority Data**

Jun. 14, 1978 [JP] Japan ..... 53-25008

[51] Int. Cl. .... **D15-05**

[52] U.S. Cl. .... **D15/52**

[58] Field of Search ..... **D15/52, 53, 54, 55; 15/323, 324, 325, 327, 412**

[56] **References Cited**

**U.S. PATENT DOCUMENTS**

|            |         |                     |            |
|------------|---------|---------------------|------------|
| D. 243,944 | 4/1977  | Zijlstra .....      | D15/52     |
| D. 246,107 | 10/1977 | Yoshida et al. .... | D15/52     |
| D. 248,303 | 6/1978  | Pearman, Jr. ....   | D15/52     |
| 3,779,283  | 12/1973 | Hohulin .....       | 15/327 R X |

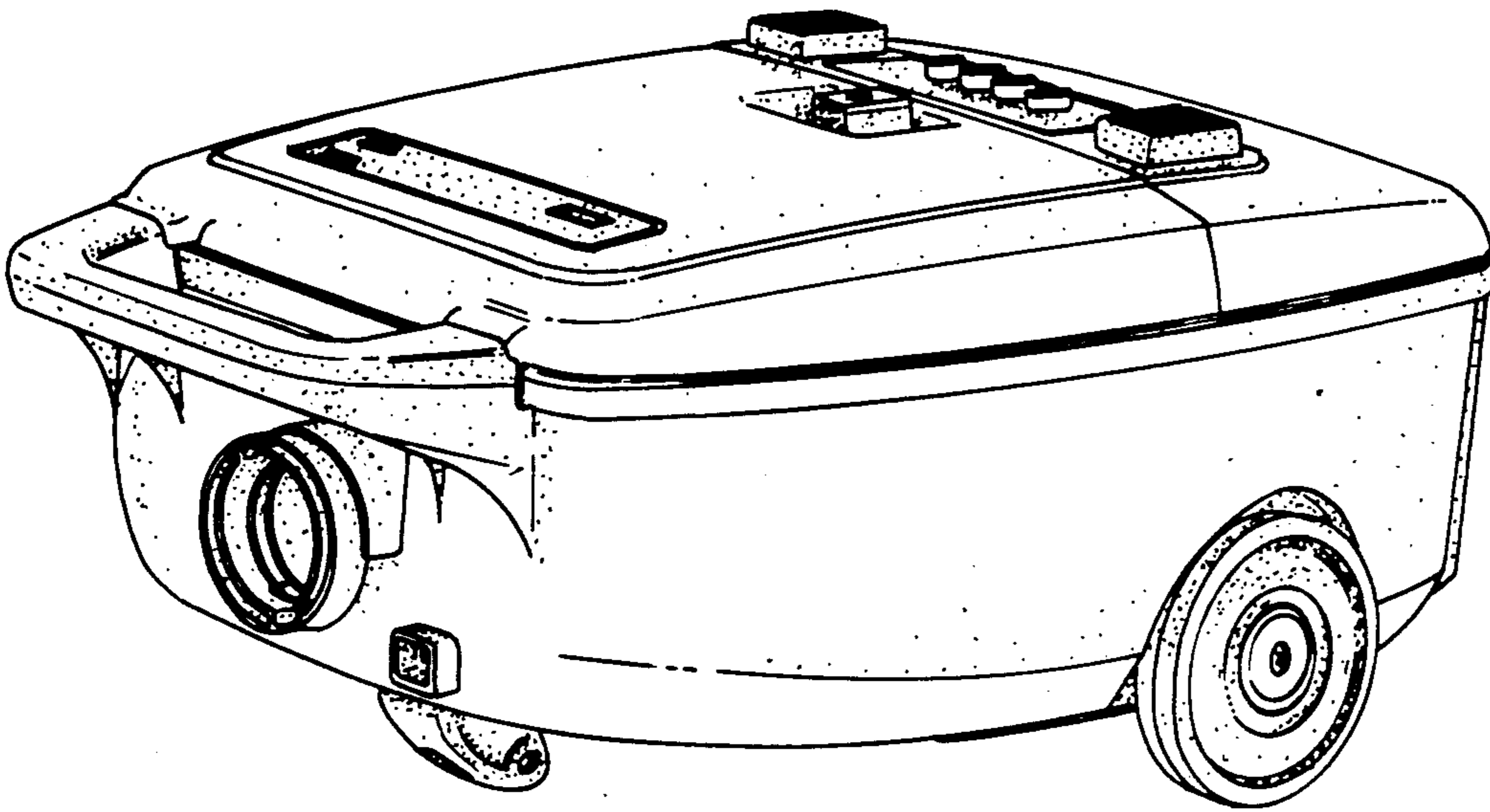
*Primary Examiner*—Catherine E. Kemper  
*Attorney, Agent, or Firm*—Sughrue, Rothwell, Mion, Zinn and Macpeak

[57] **CLAIM**

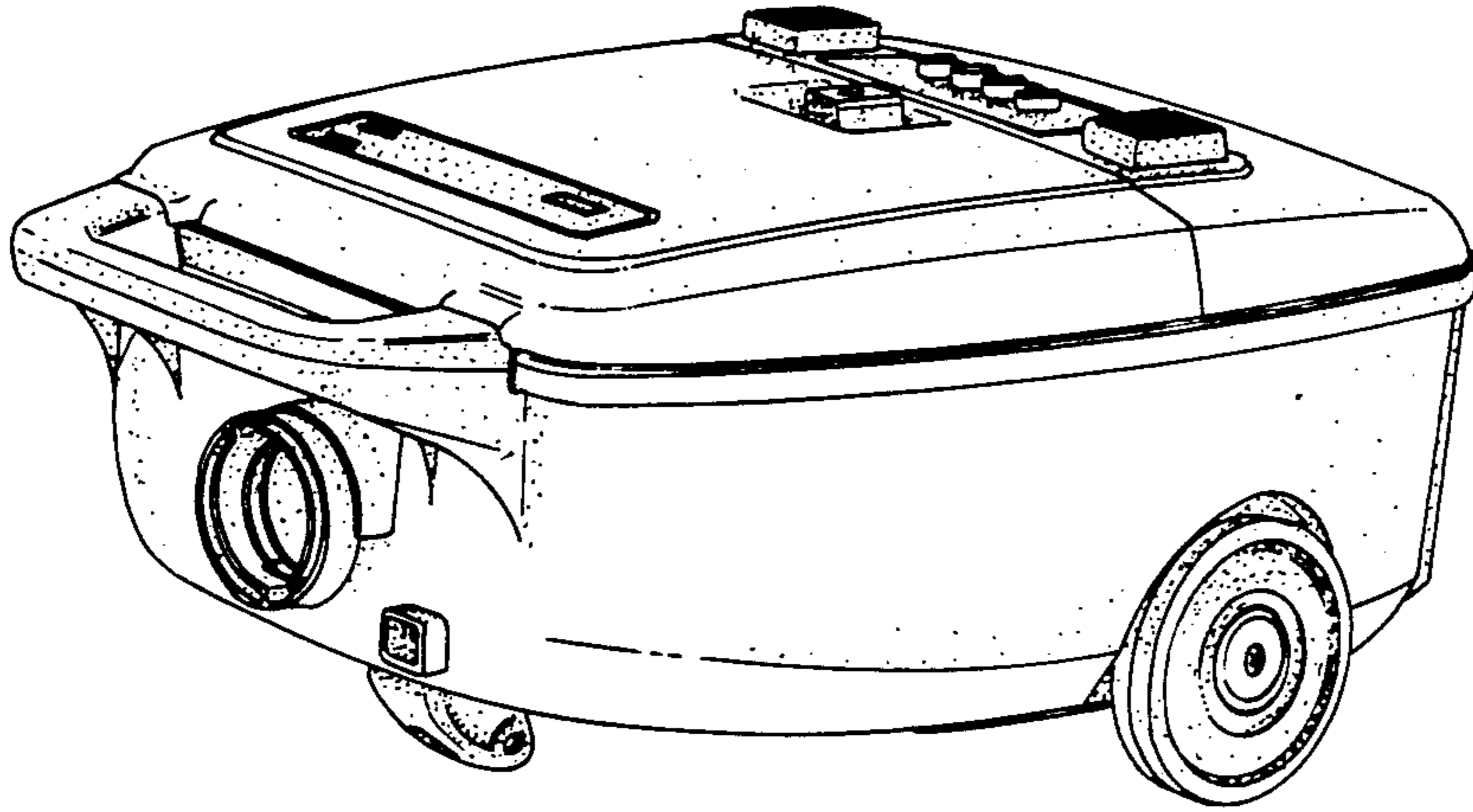
The ornamental design for a vacuum cleaner, as shown.

**DESCRIPTION**

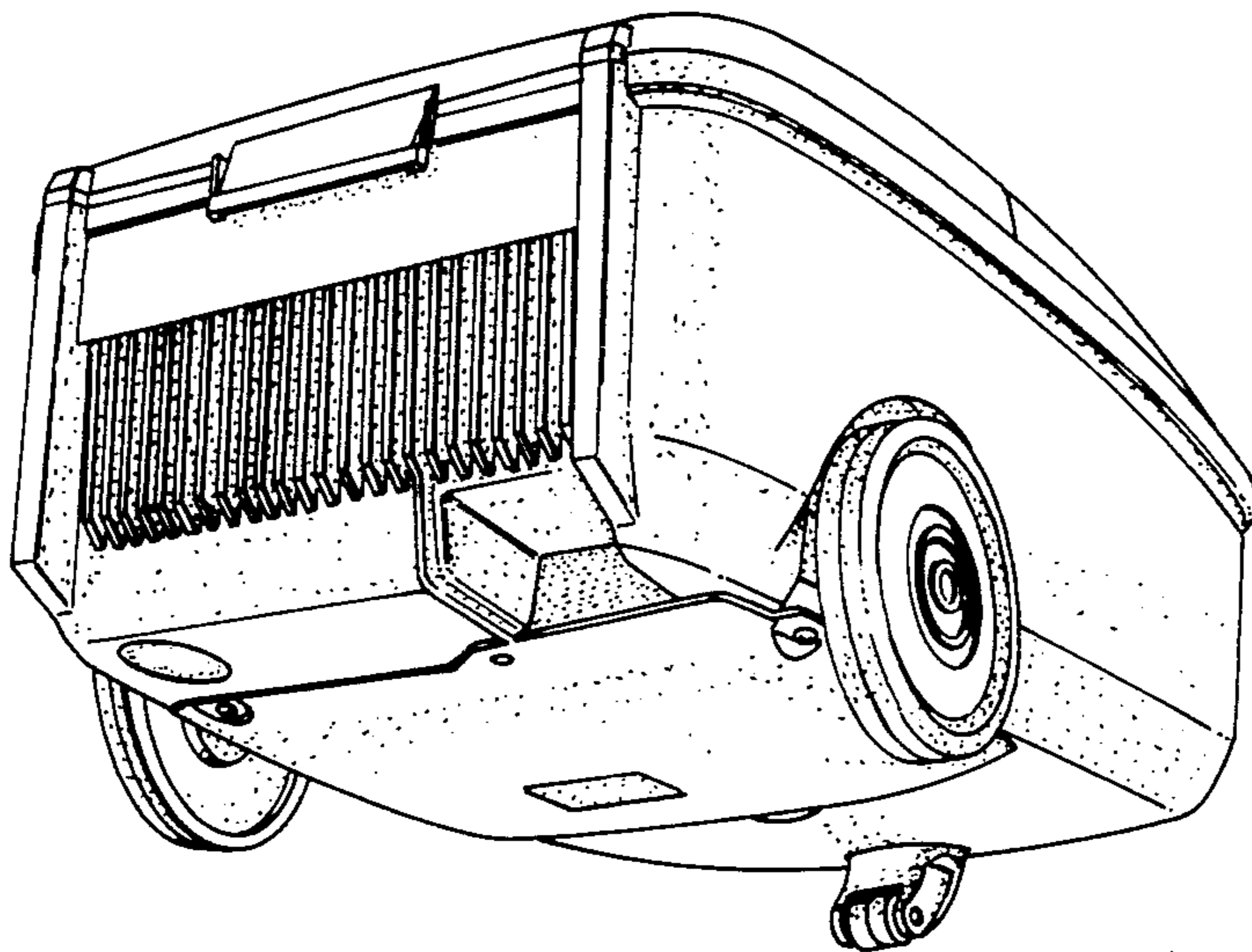
FIG. 1 is a top, front and right side perspective view of a vacuum cleaner showing our new design;  
FIG. 2 is a bottom, rear and left side perspective view thereof;  
FIG. 3 is a top plan view thereof; and  
FIG. 4 is a left side elevational view thereof.



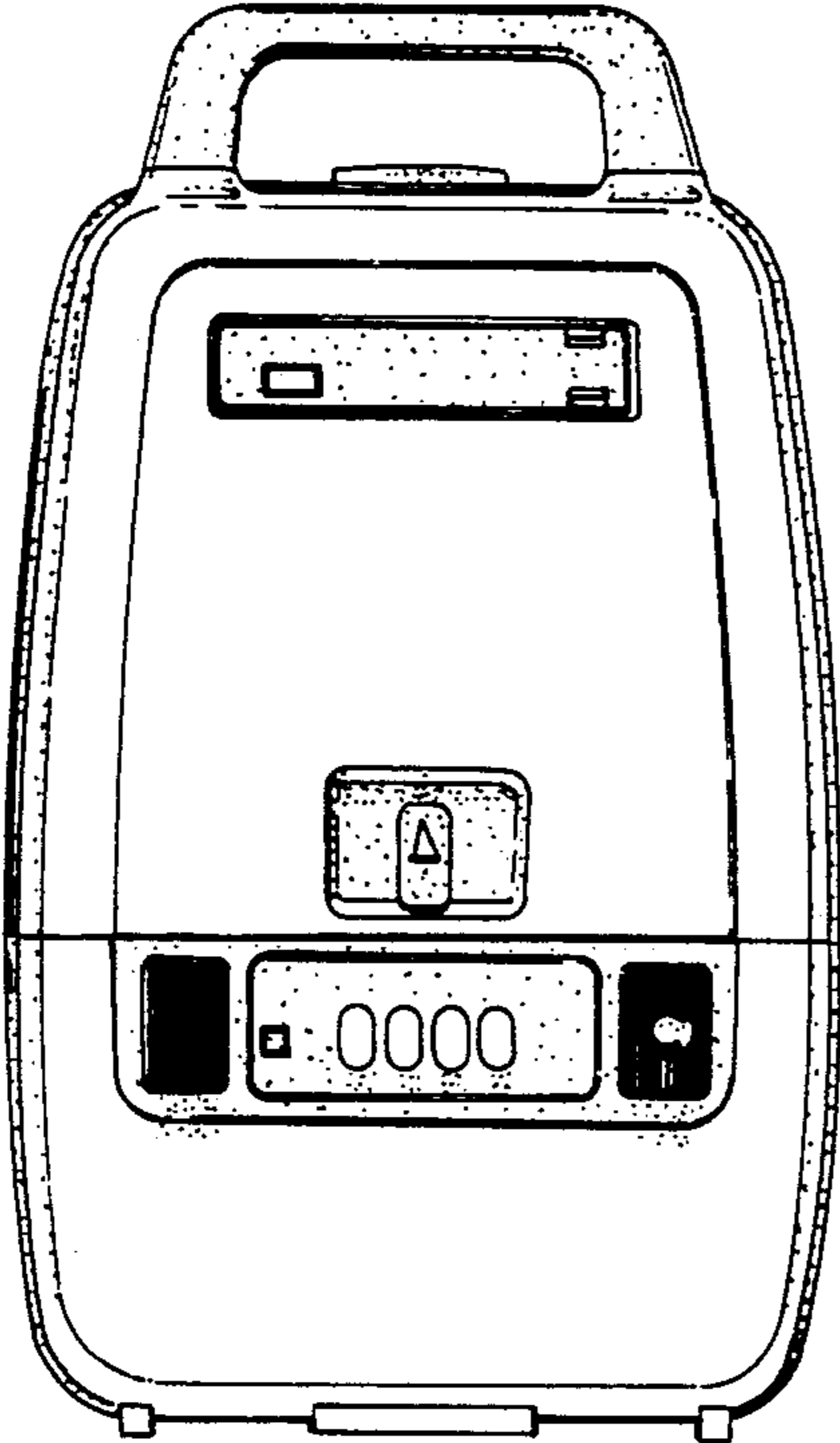
**FIG 1**



**FIG 2**



**FIG 3**



**FIG 4**

