

[54] DISPLAY STAND FOR TELEPHONE ATTACHMENT

[75] Inventor: Irwin Pearl, Lido Beach, N.Y.

[73] Assignee: Business Concepts Marketing Corporation, Island Park, N.Y.

[**] Term: 14 Years

[21] Appl. No.: 947,934

[22] Filed: Oct. 2, 1978

[51] Int. Cl. D14-99

[52] U.S. Cl. D14/60; D6/184; D14/59

[58] Field of Search D14/59, 60; D6/184; 248/441 B; 40/336

[56]

References Cited

U.S. PATENT DOCUMENTS

D. 193,431	8/1962	Newton	D14/59
D. 204,548	4/1966	Aro	D14/59
2,981,021	4/1961	Clark	40/336

Primary Examiner—Sam Rosen
Attorney, Agent, or Firm—Gerald Levy

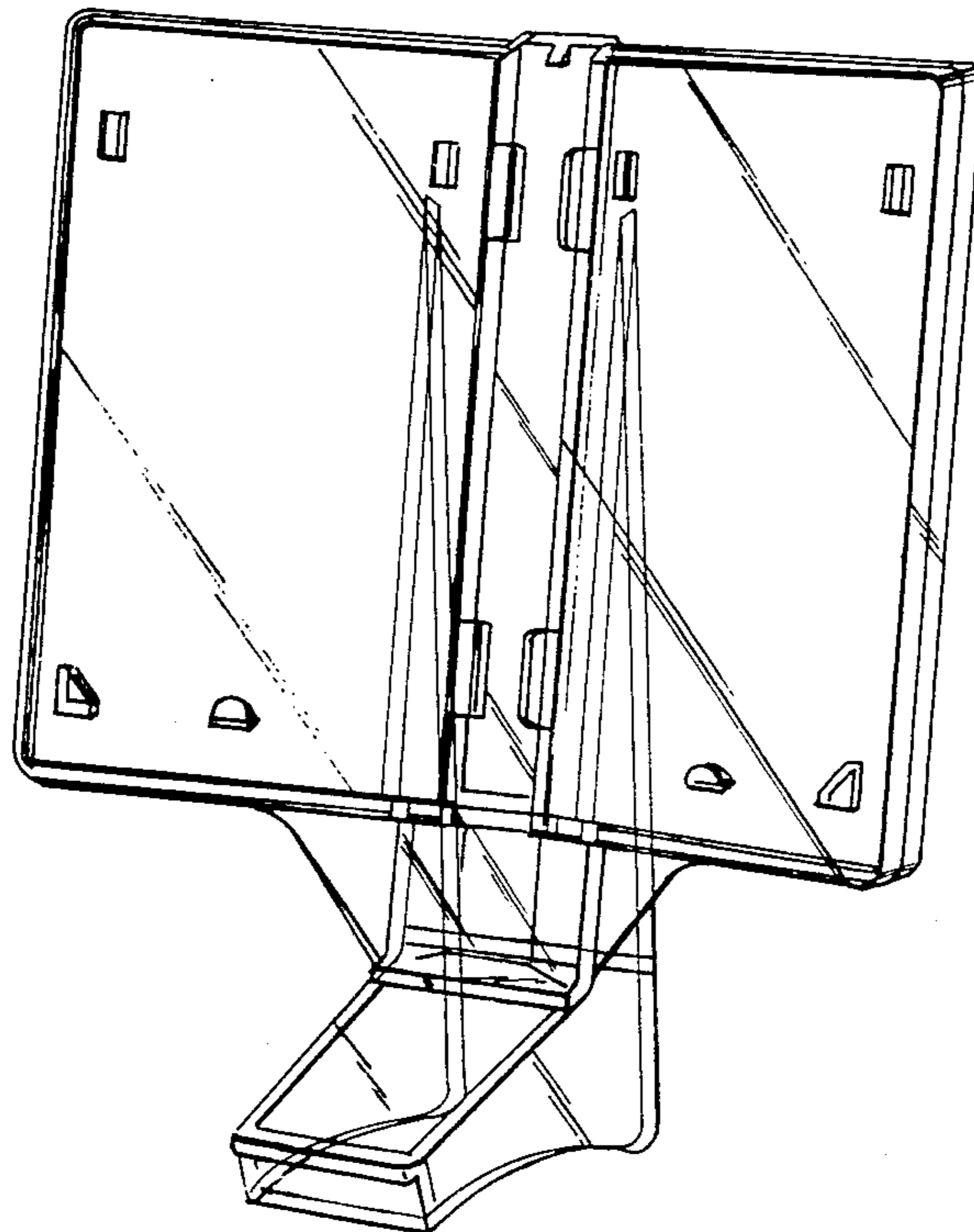
[57]

CLAIM

The ornamental design for a display stand for telephone attachment, as shown and described.

DESCRIPTION

FIG. 1 is a perspective view of a display stand for telephone attachment showing my new design; FIG. 2 is a front elevational view thereof; FIG. 3 is a top plan view thereof; FIG. 4 is a rear elevational view thereof; FIG. 5 is a bottom plan view thereof; and FIG. 6 is a side elevational view thereof.



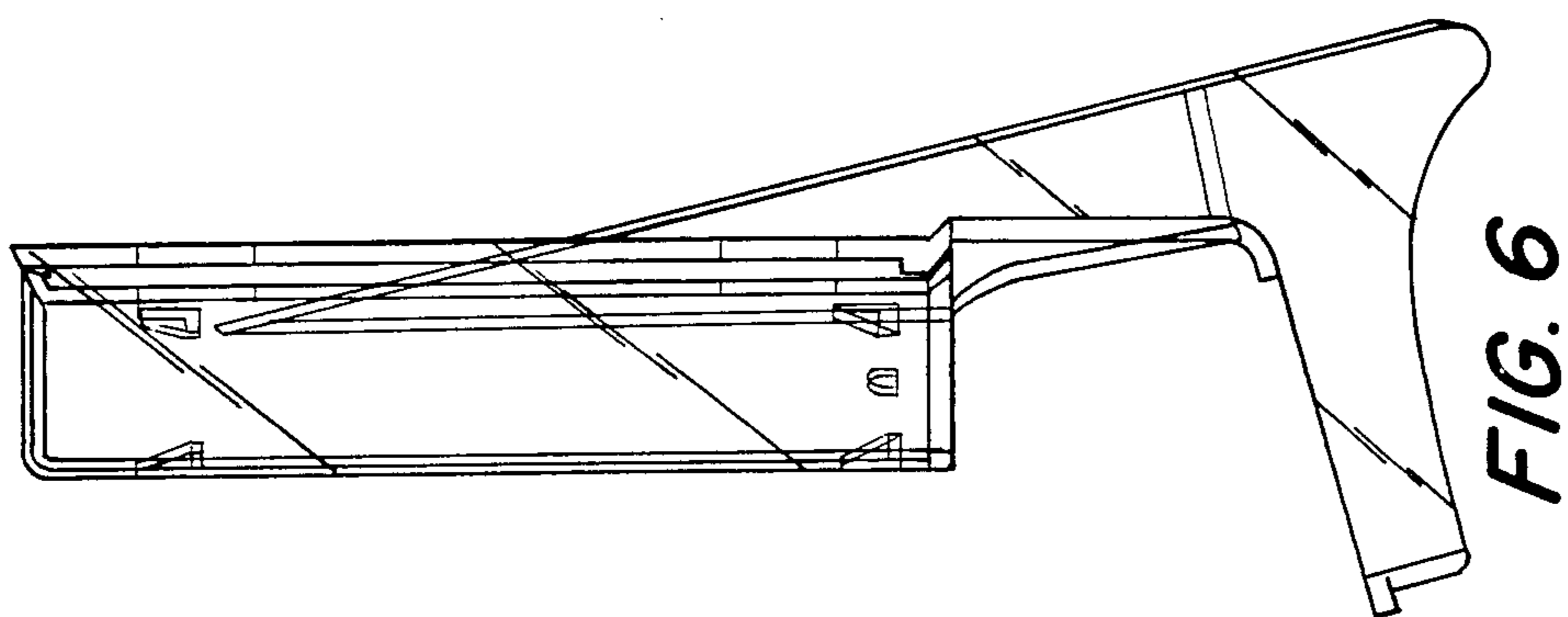


FIG. 6

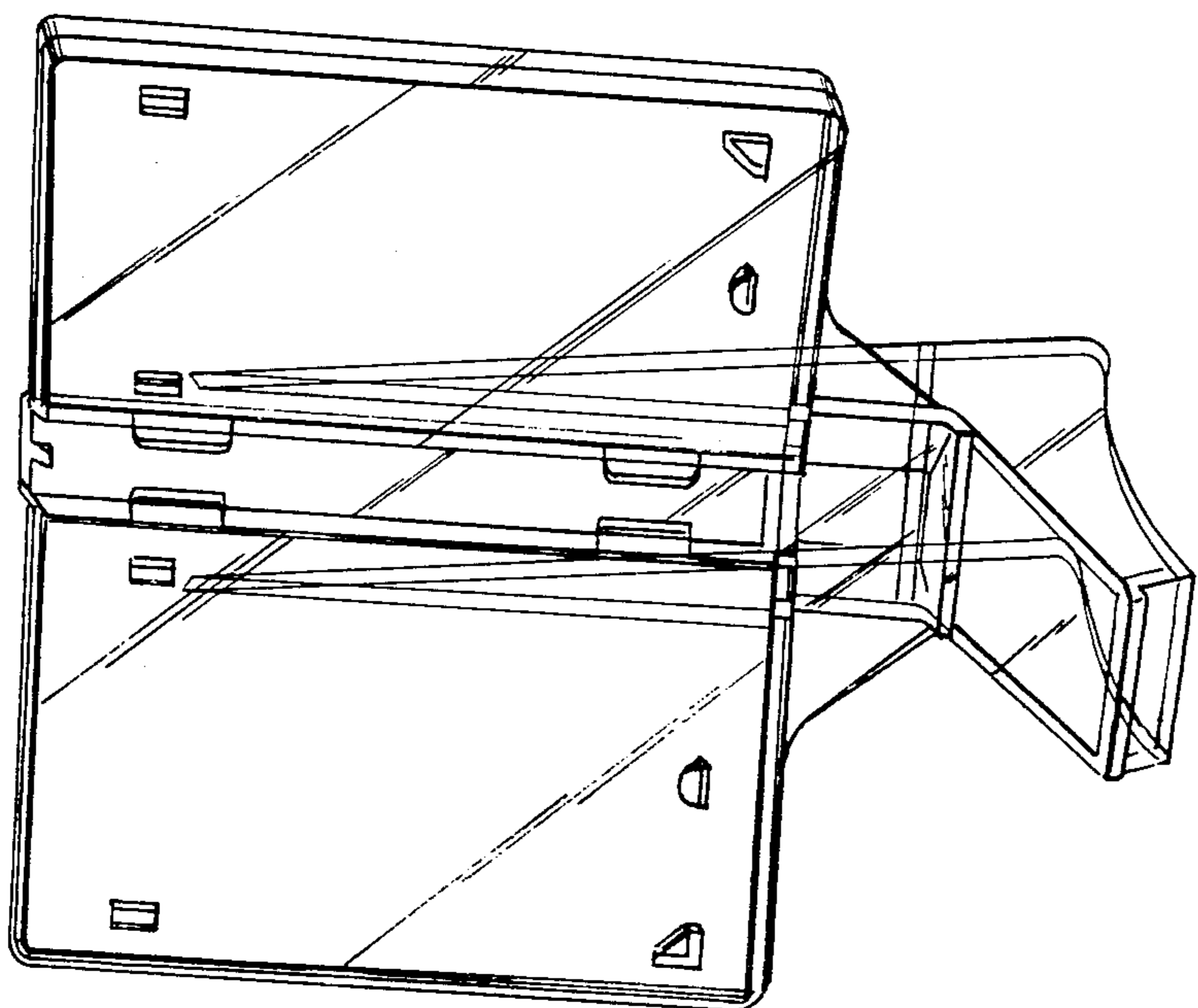


FIG. 1

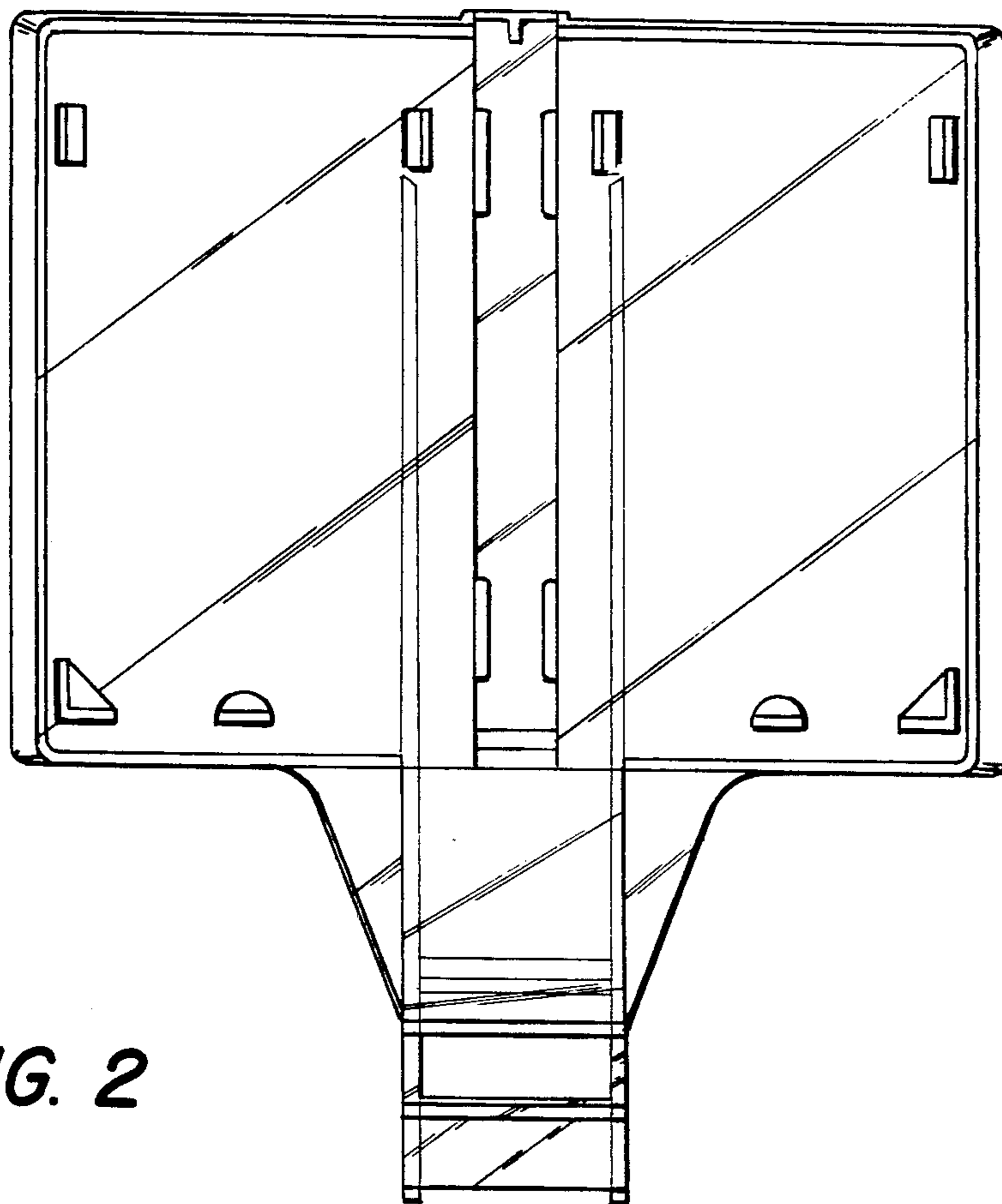


FIG. 2

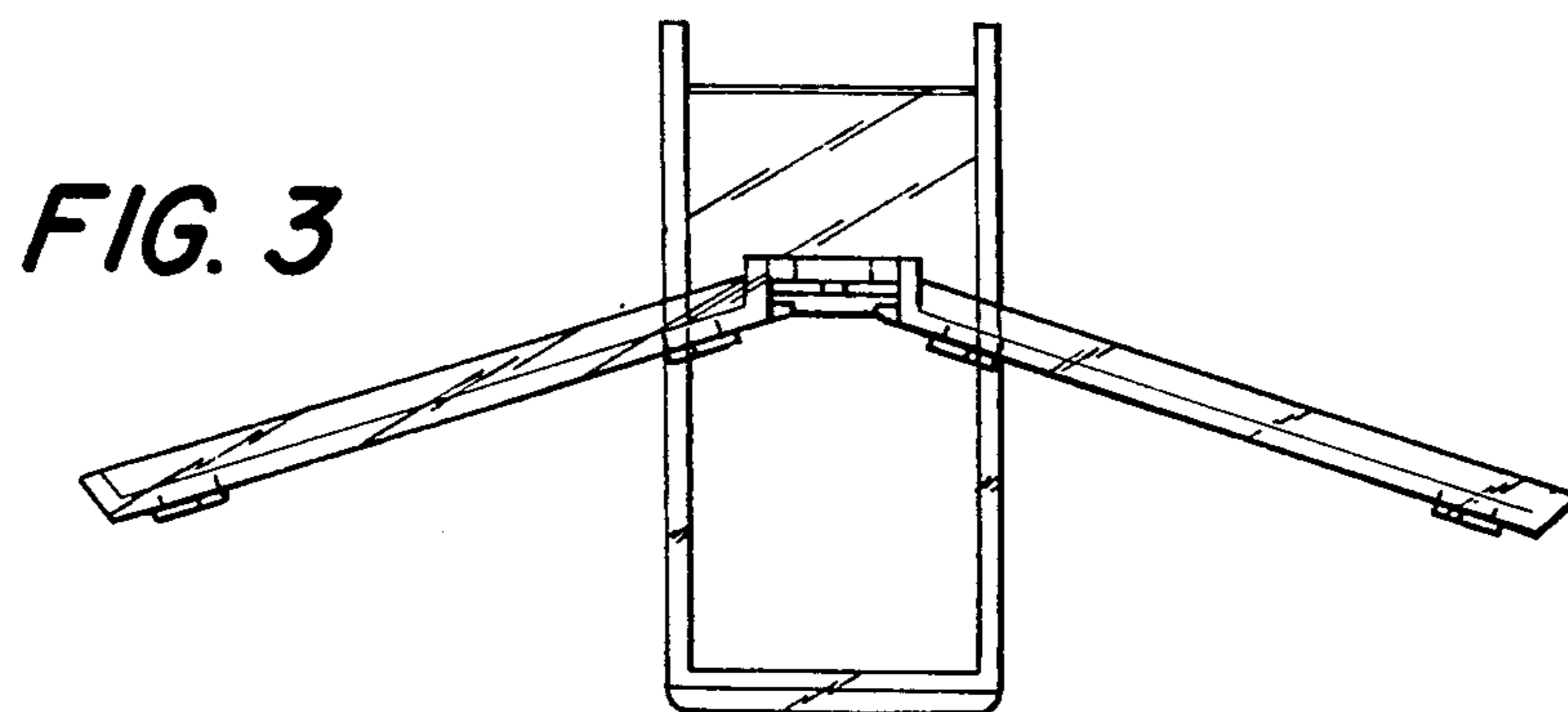


FIG. 3

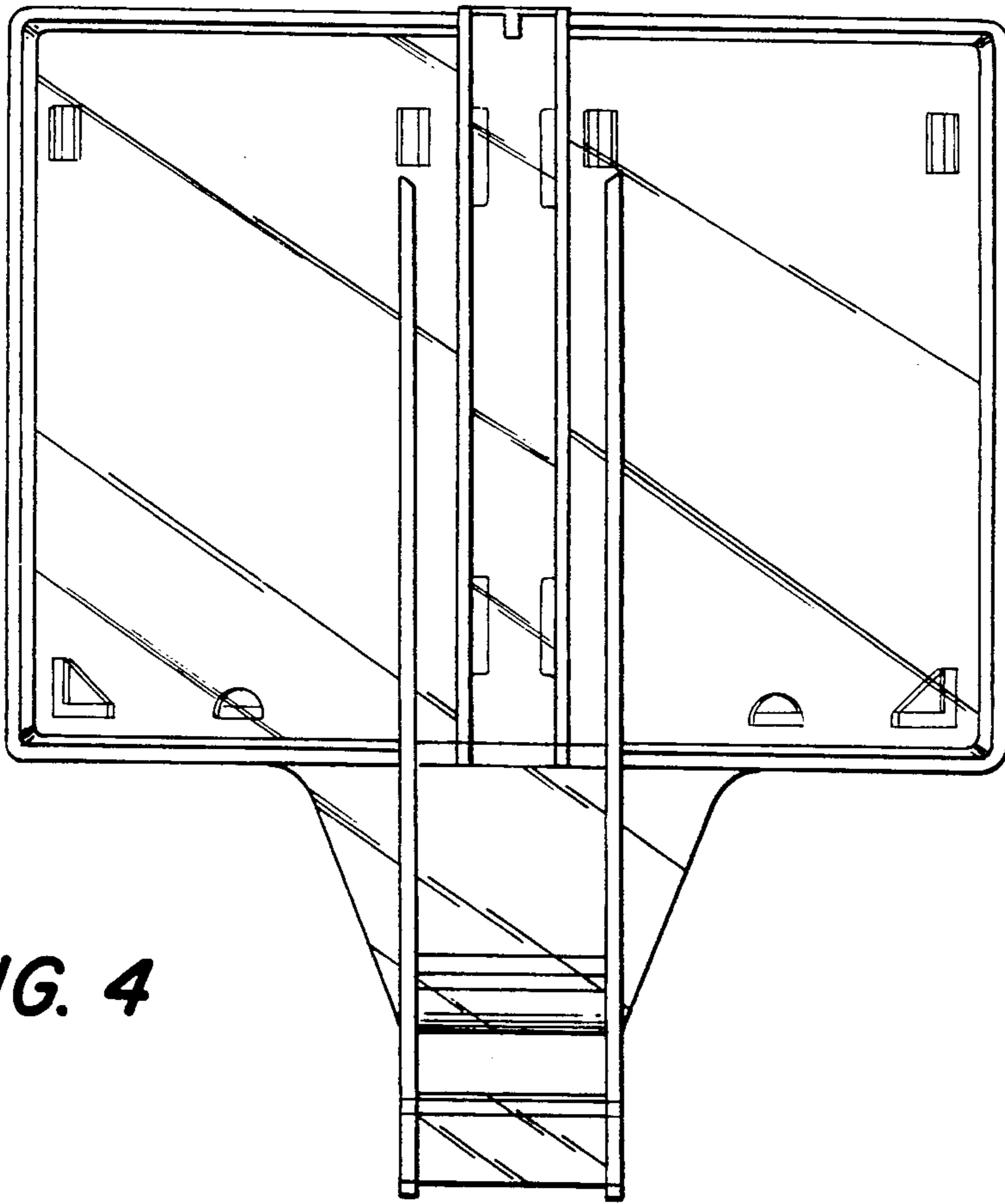


FIG. 4

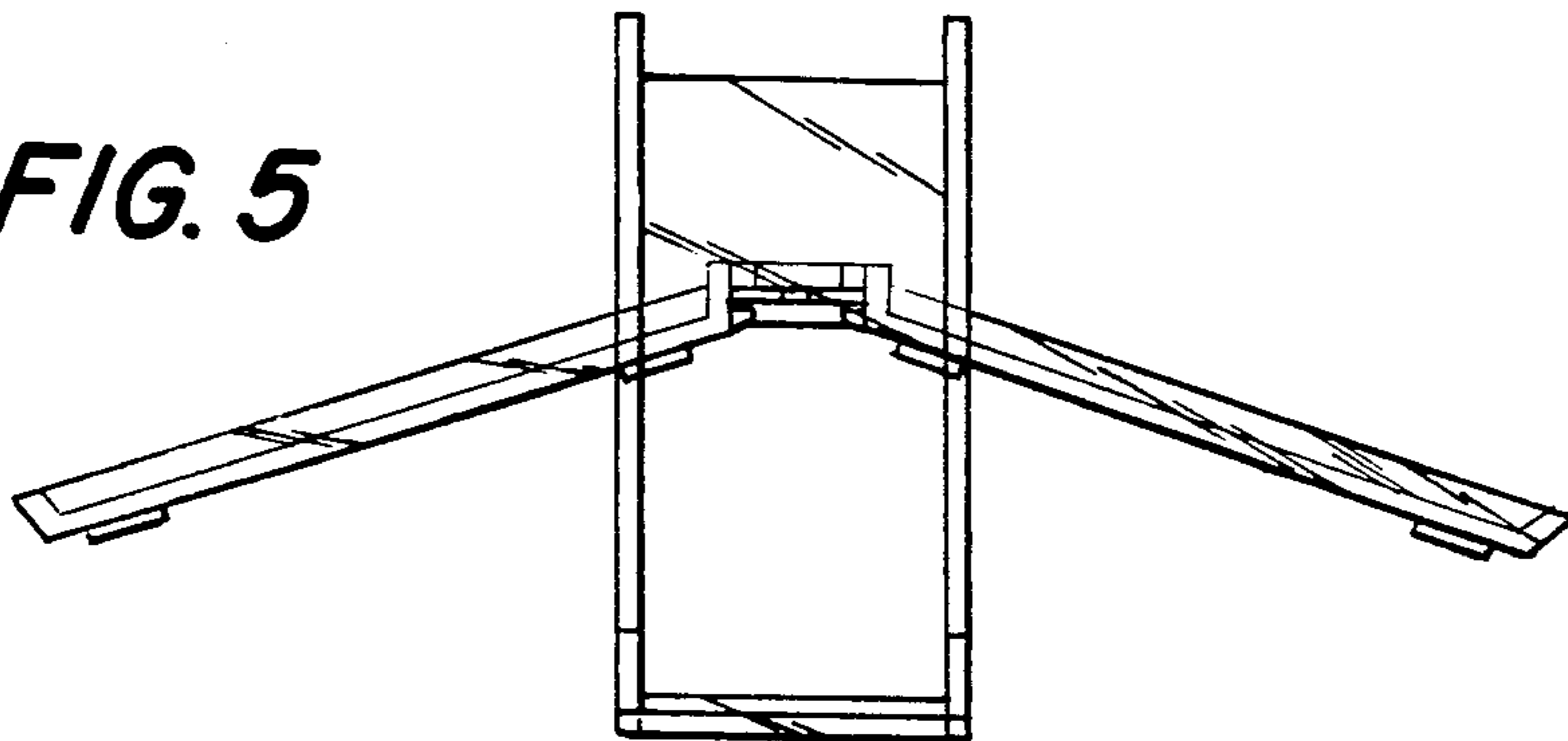


FIG. 5