

[54] GRILL GUARD FOR VANS

[76] Inventor: William J. Milner, Pleasantville, Iowa 50225

[**] Term: 14 Years

[21] Appl. No.: 927,115

[22] Filed: Jul. 24, 1978

[51] Int. Cl. D12-16

[52] U.S. Cl. D12/171

[58] Field of Search D12/171; 180/68 P; 293/115

[56] References Cited

U.S. PATENT DOCUMENTS

4,099,760 7/1978 Mascotte et al. 293/115

OTHER PUBLICATIONS

J. C. Whitney Catalog No. 362 B, ©1977, p. 63, Grille, Headlight & Bumper Guards for 65-77 Trucks & 73-77 Vans.

Master Guard Brochure, ©11/29/77, Front Cover, Grille Guard on Truck, third box down from top.

Primary Examiner—James M. Gandy
Attorney, Agent, or Firm—Donald H. Zarley

[57] CLAIM

The ornamental design for a grill guard for vans, substantially as shown and described.

DESCRIPTION

FIG. 1 is a front perspective view of a grill guard for vans showing my new design;

FIG. 2 is a top plan view thereof;

FIG. 3 is a front elevational view thereof;

FIG. 4 is a side elevational view thereof as seen from the left-hand side of FIG. 3;

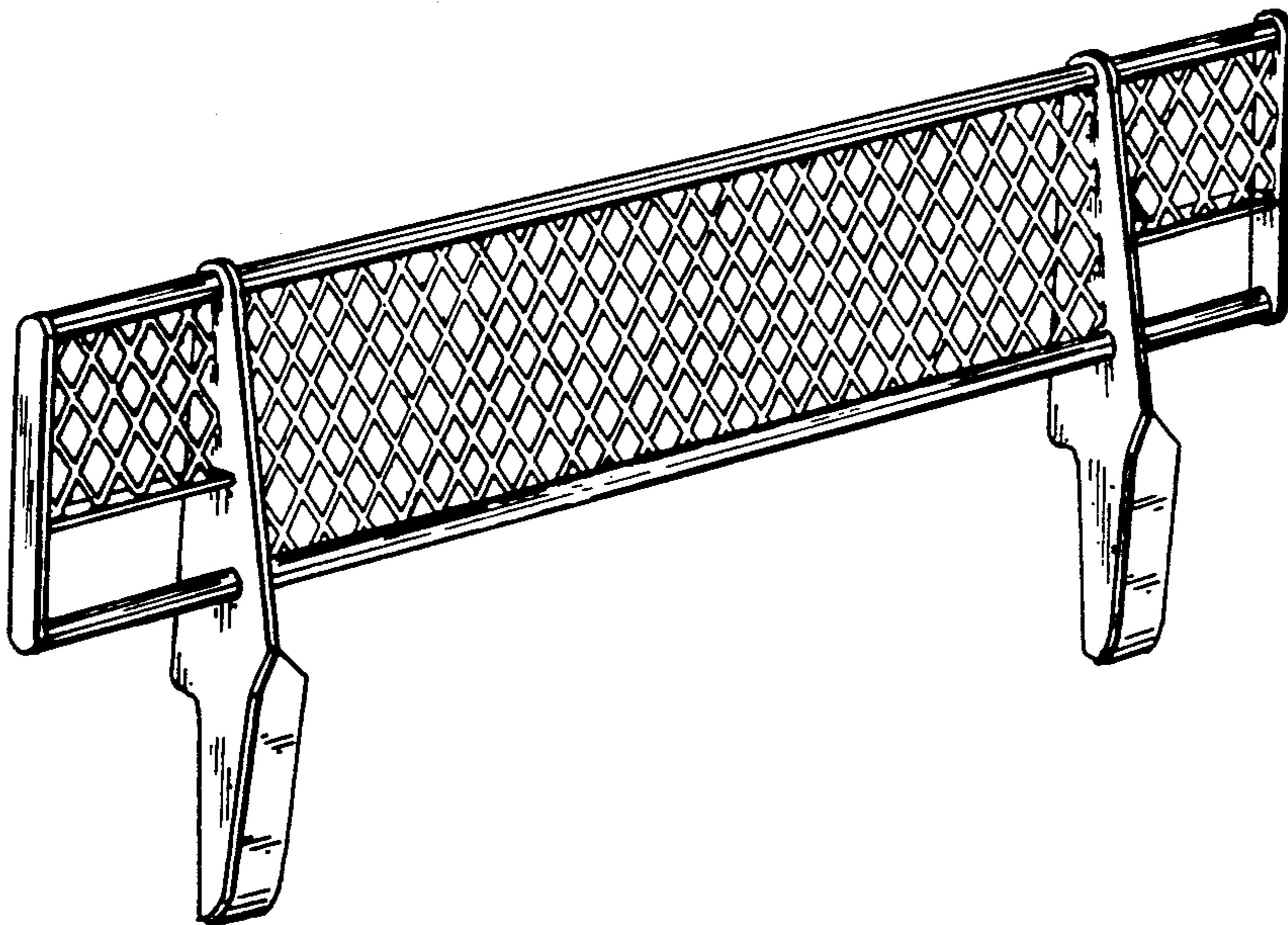
FIG. 5 is a bottom plan view thereof;

FIG. 6 is a rear elevational view thereof;

FIG. 7 is a front elevational view of a grill guard for vans showing a second embodiment of my new design; and

FIG. 8 is a rear elevational view of FIG. 7.

The top plan view, the side elevational view, and the bottom plan view of the grill guard shown in FIGS. 7 and 8 is identical to the corresponding views in FIGS. 2, 4 and 5.



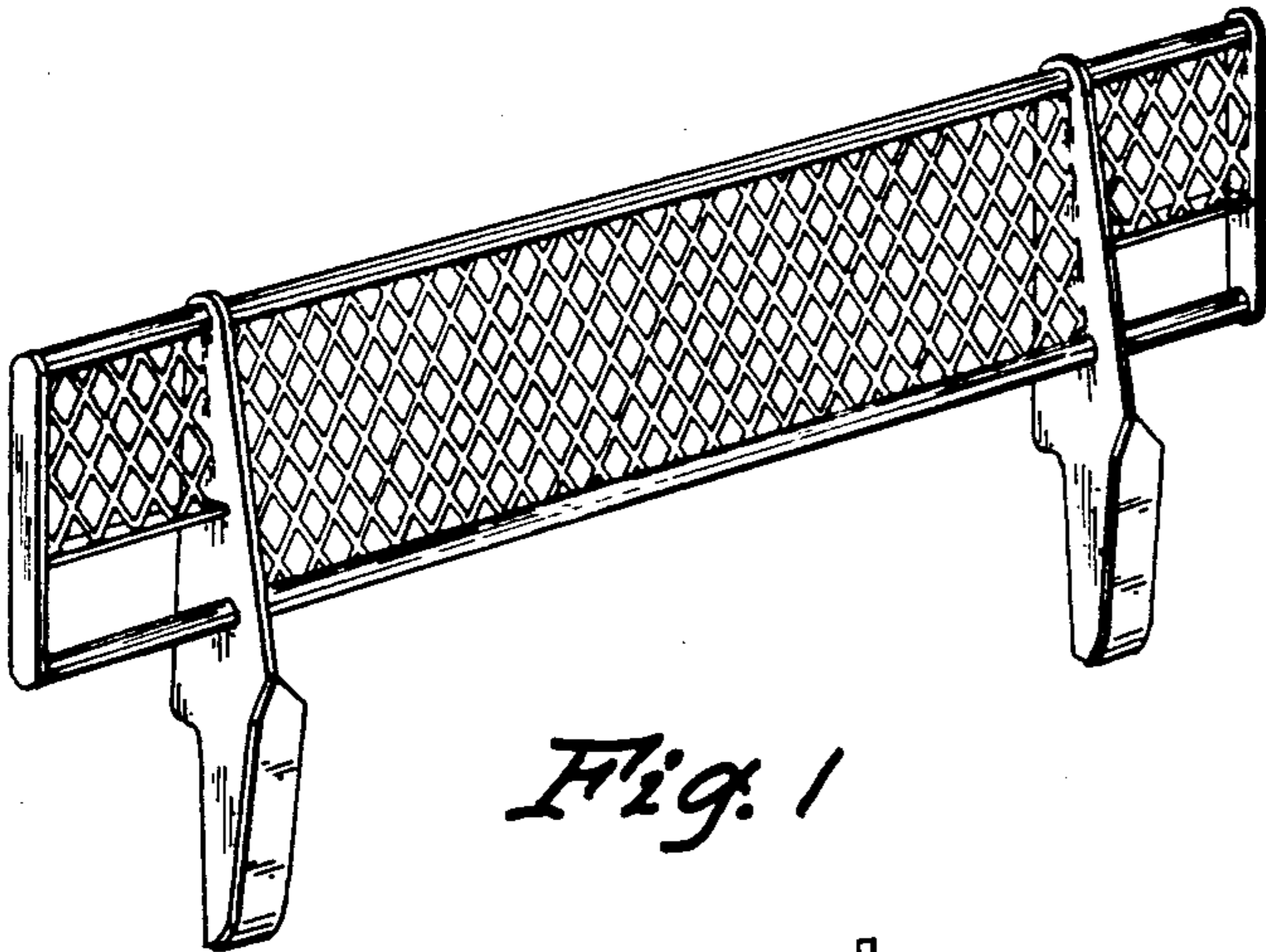


Fig. 1

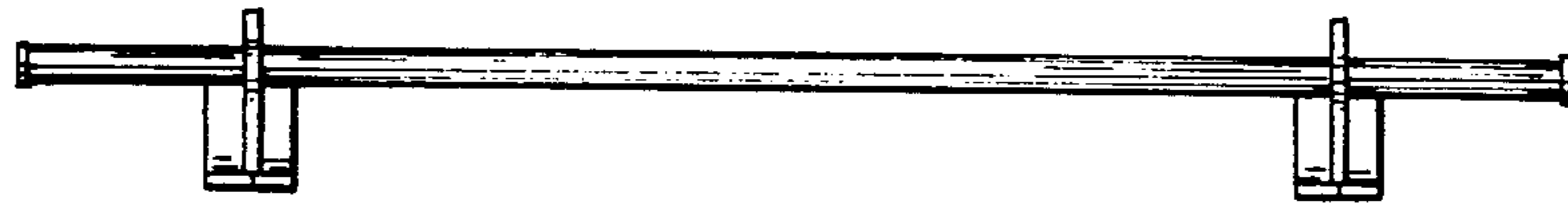


Fig. 2



Fig. 4

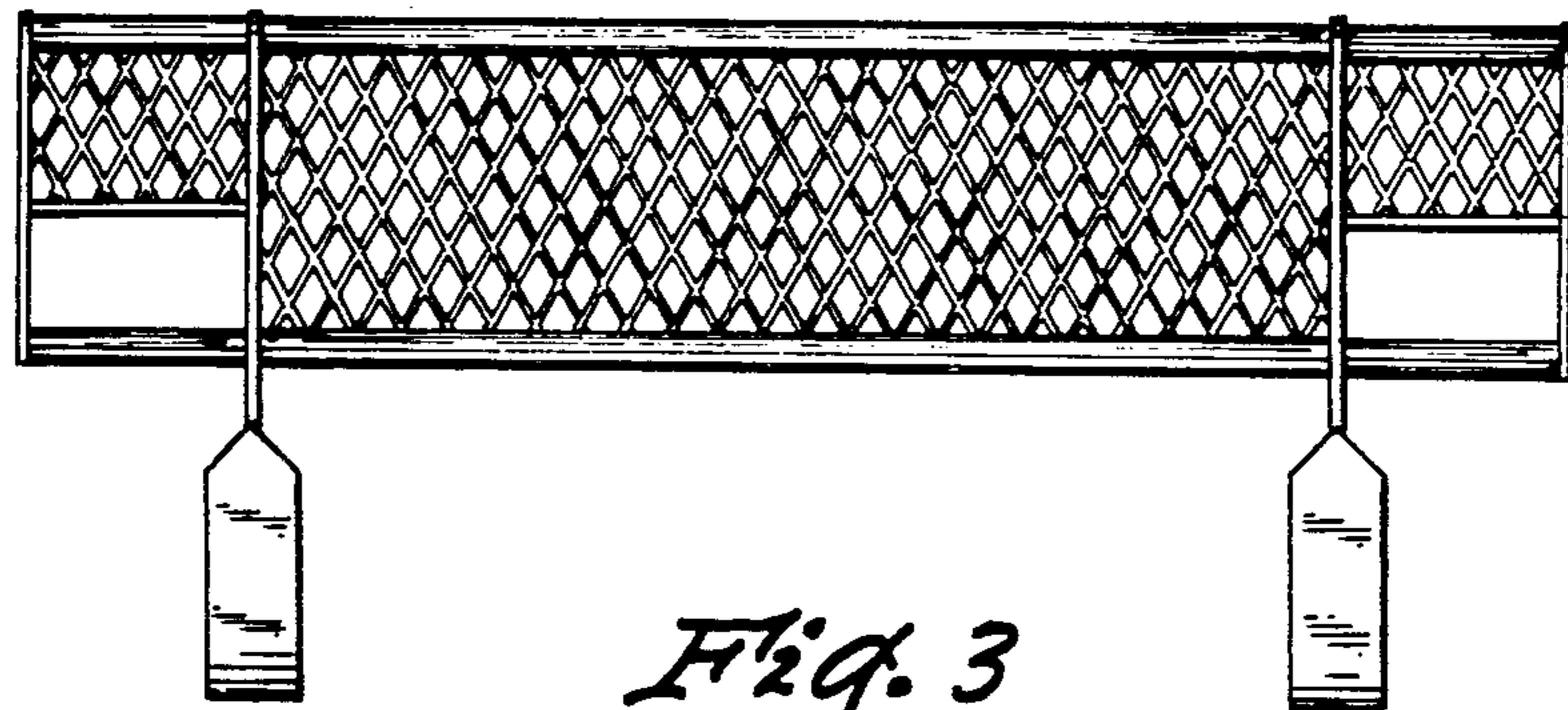


Fig. 3



Fig. 5

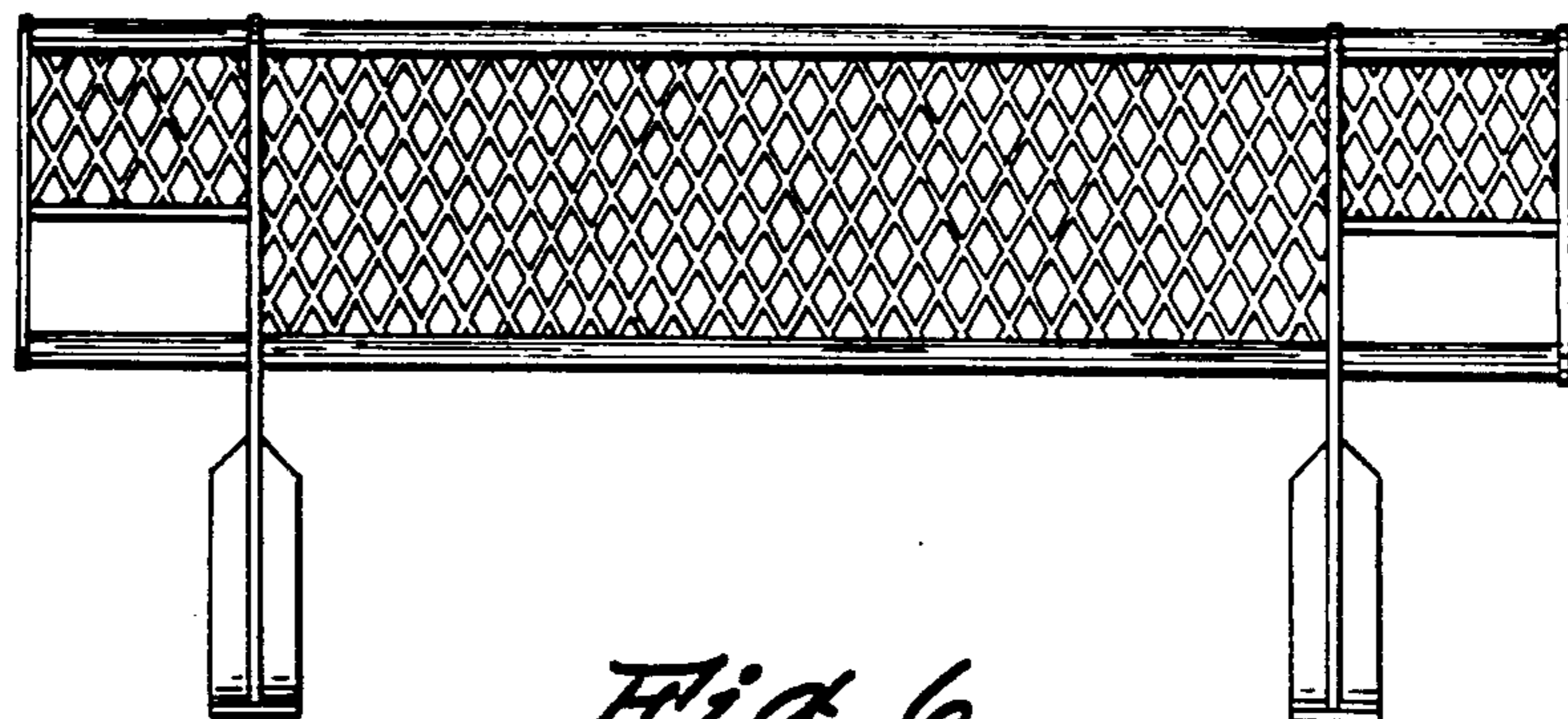


Fig. 6

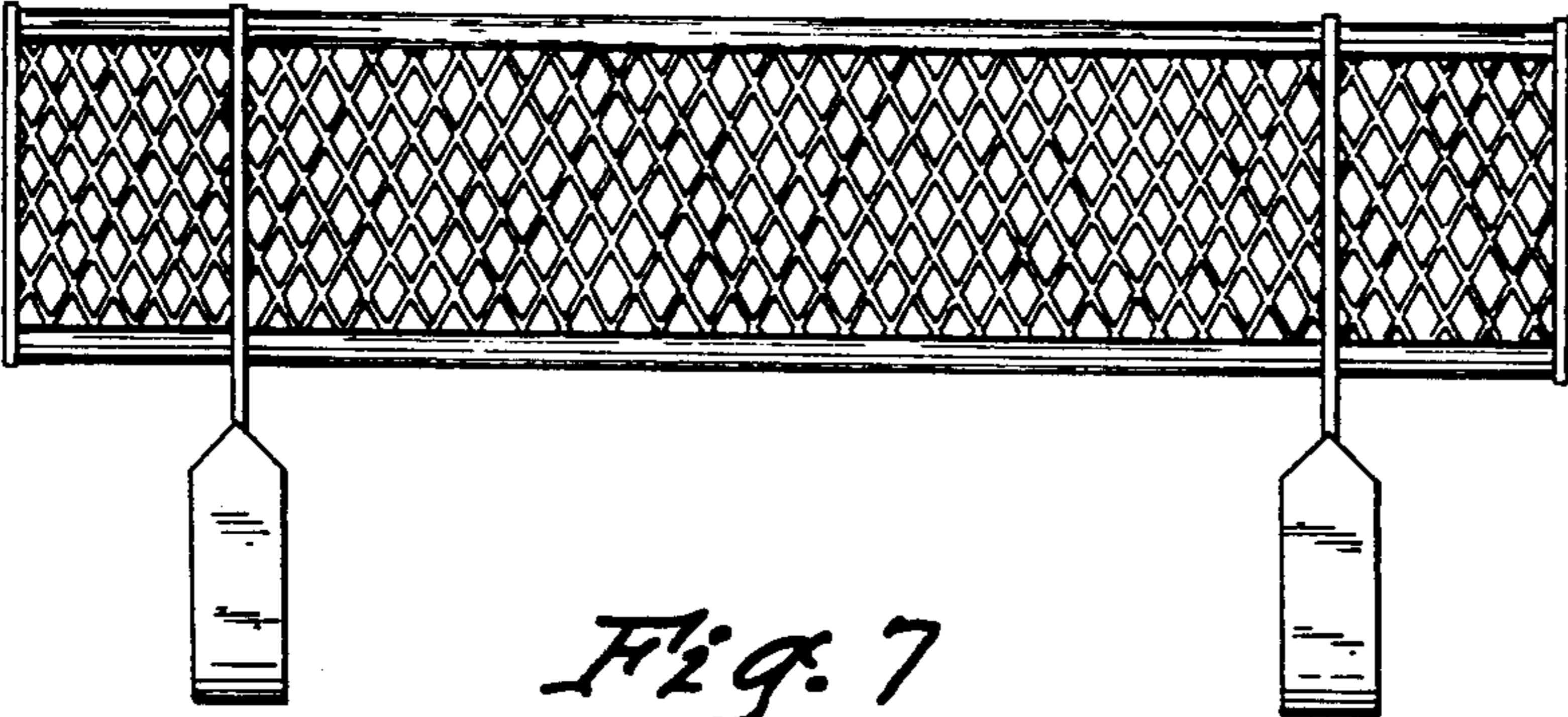


Fig. 7

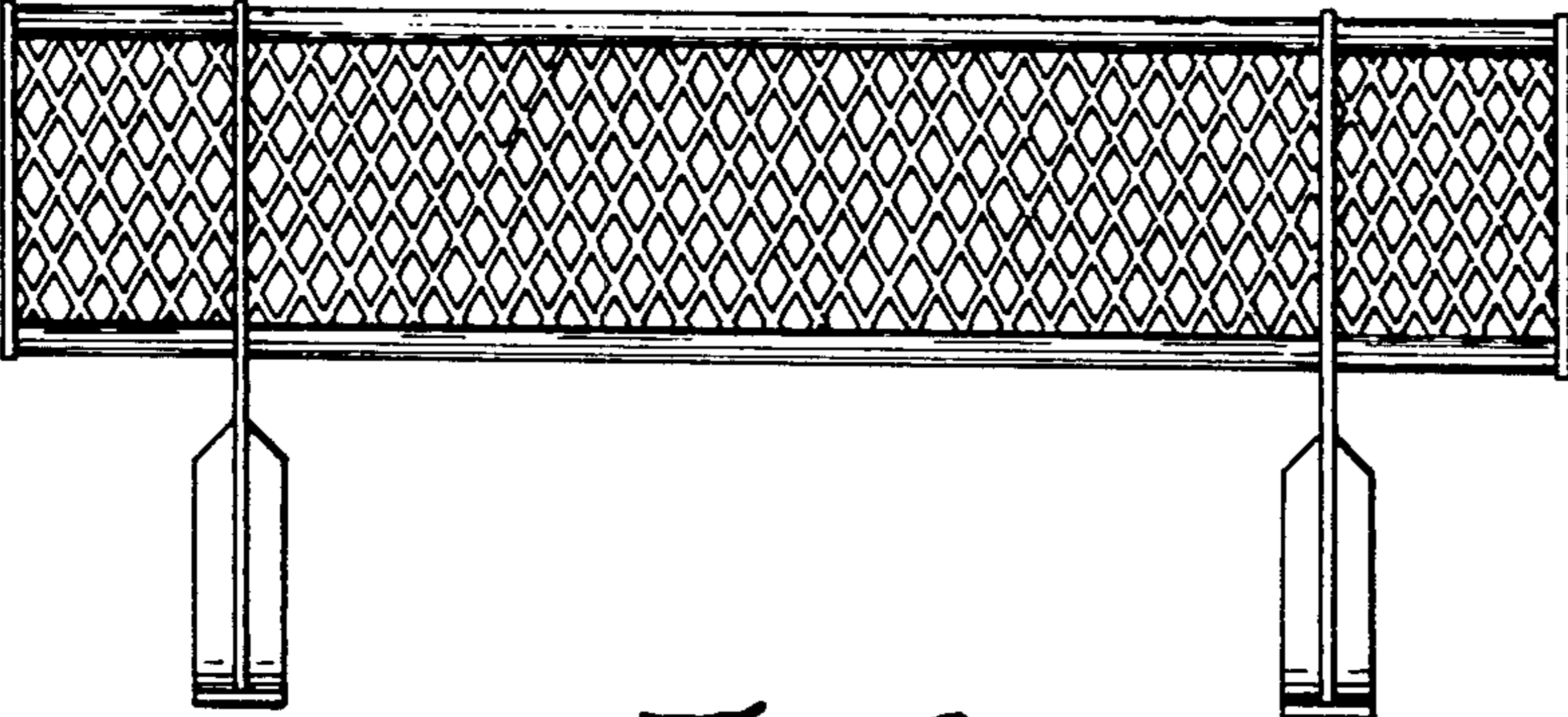


Fig. 8