

[54] COVER PLATE FOR A MOTORCYCLE CRANK CASE

[76] Inventor: Donald G. Ramsey, 962 Cornell Ave., Youngstown, Ohio 44502

[**] Term: 14 Years

[21] Appl. No.: 943,291

[22] Filed: Sep. 18, 1978

[51] Int. Cl. D12-11

[52] U.S. Cl. D12/126

[58] Field of Search D12/114, 126, 127; D15/5; 180/231, 219; 123/195 C; 74/606 R

[56] References Cited

U.S. PATENT DOCUMENTS

D. 229,872 1/1974 Ziegler D12/127

OTHER PUBLICATIONS

Cycle World, 12/77, p. 88 & 89, Cover Plate on Suzuki 750, bottom center of page.

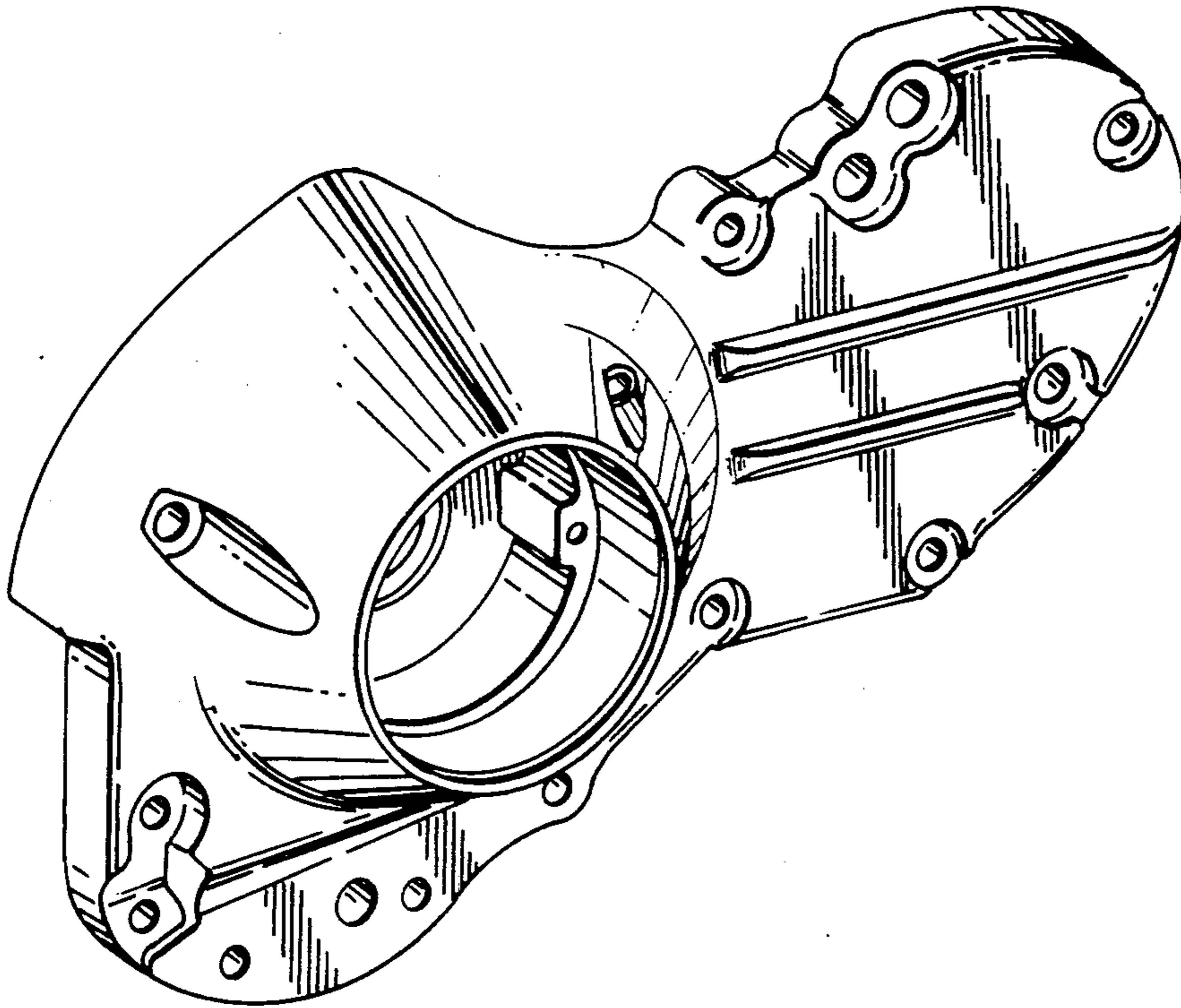
Primary Examiner—James M. Gandy
Attorney, Agent, or Firm—Webster B. Harpman

[57] CLAIM

The ornamental design for a cover plate for a motorcycle crank case, as shown.

DESCRIPTION

FIG. 1 is a front elevational view of the cover plate for a motorcycle crank case showing my new design; FIG. 2 is an end elevational view of one end thereof; FIG. 3 is an end elevational view of the other end thereof; FIG. 4 is a back elevational view thereof; FIG. 5 is a top plan view thereof; FIG. 6 is a bottom plan view thereof; and FIG. 7 is a front perspective view thereof.



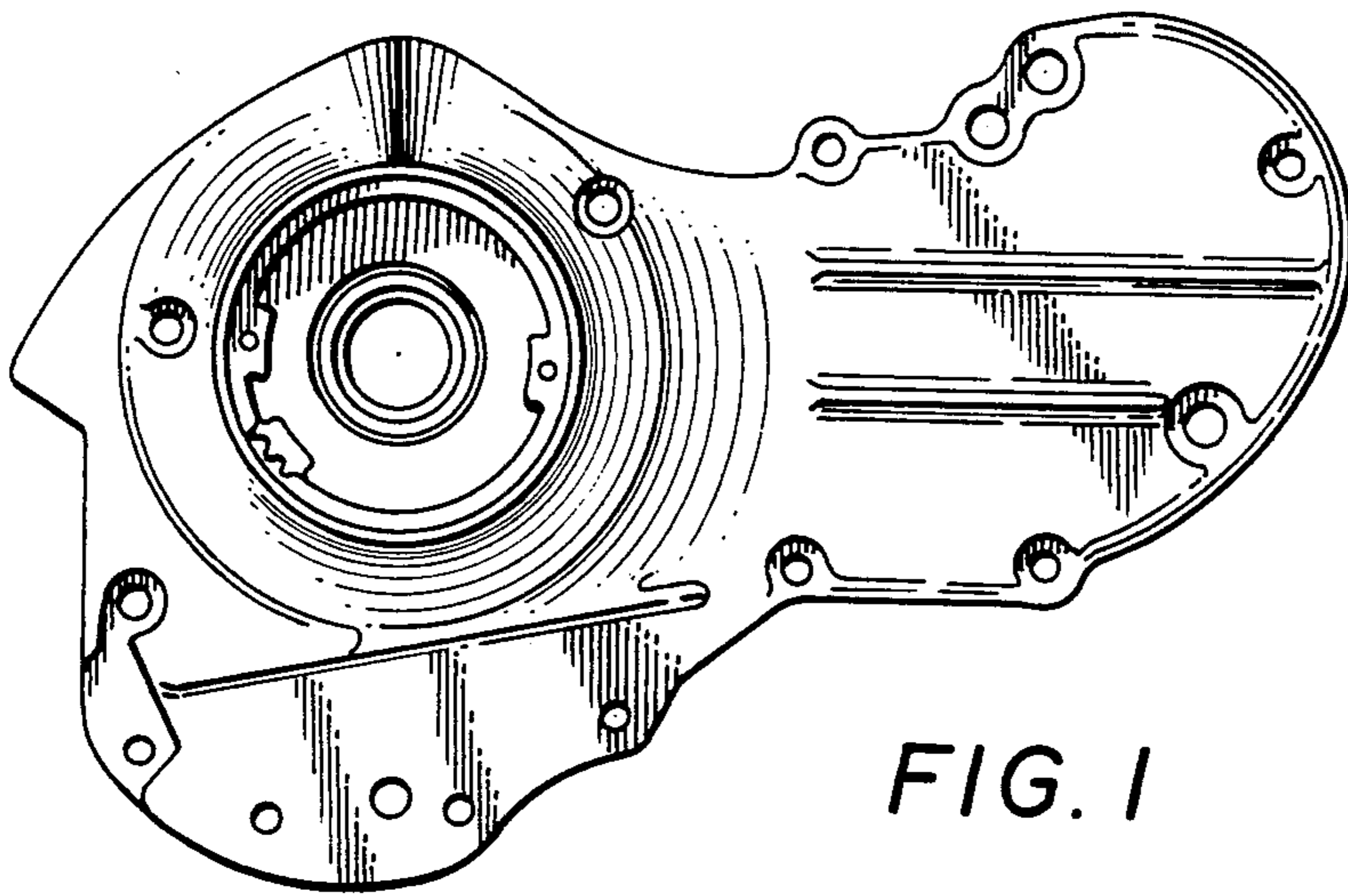


FIG. 1

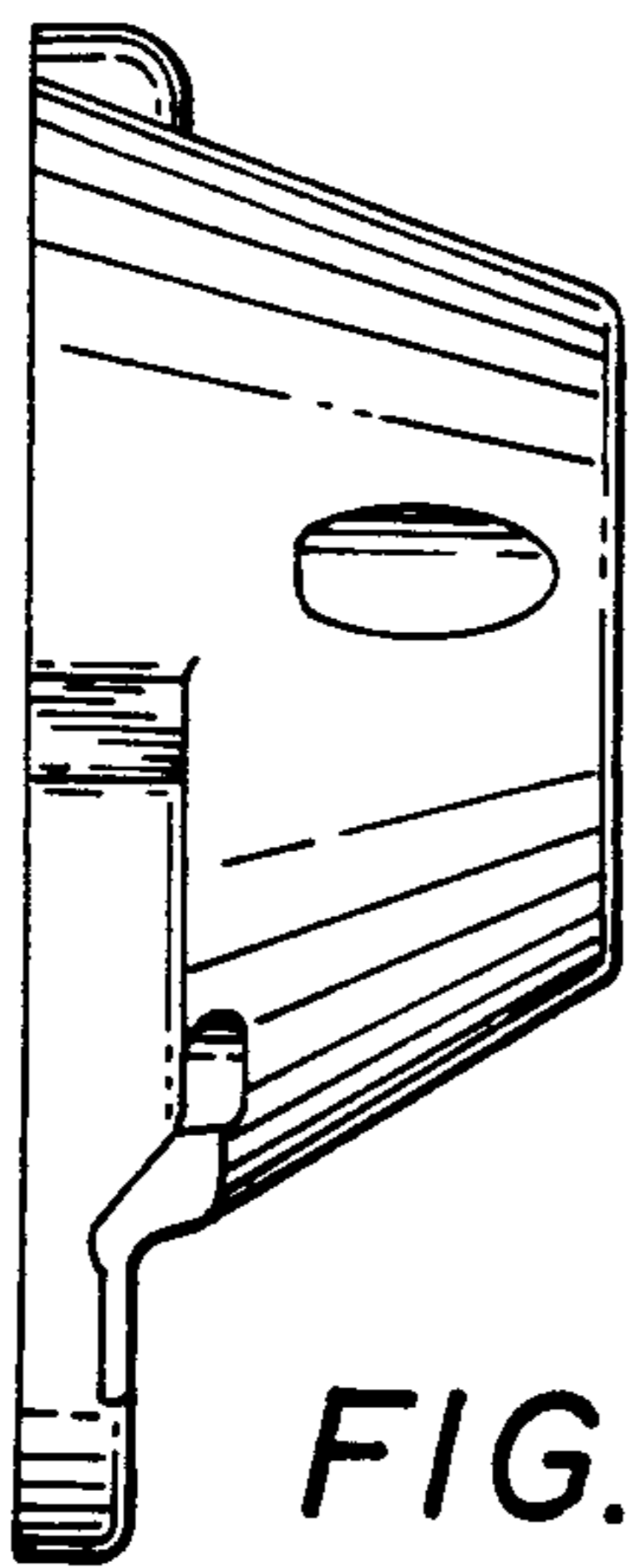


FIG. 2

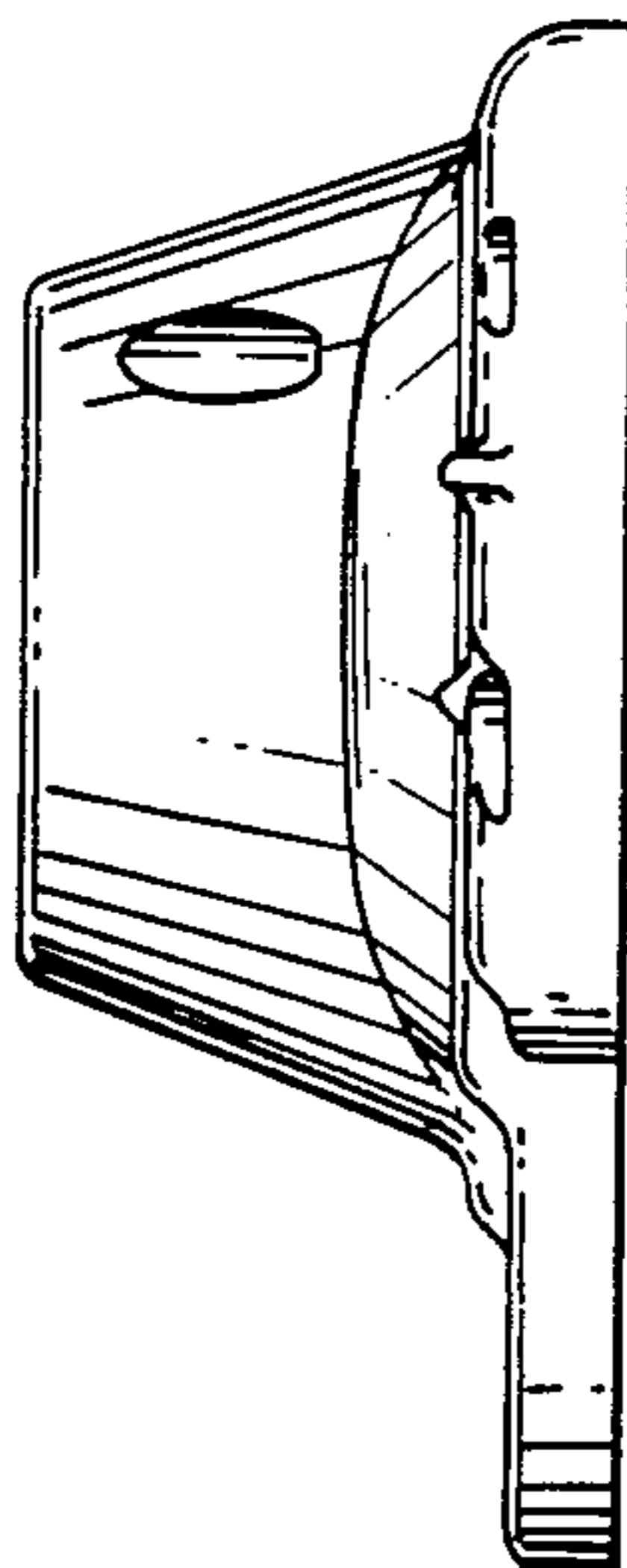


FIG. 3

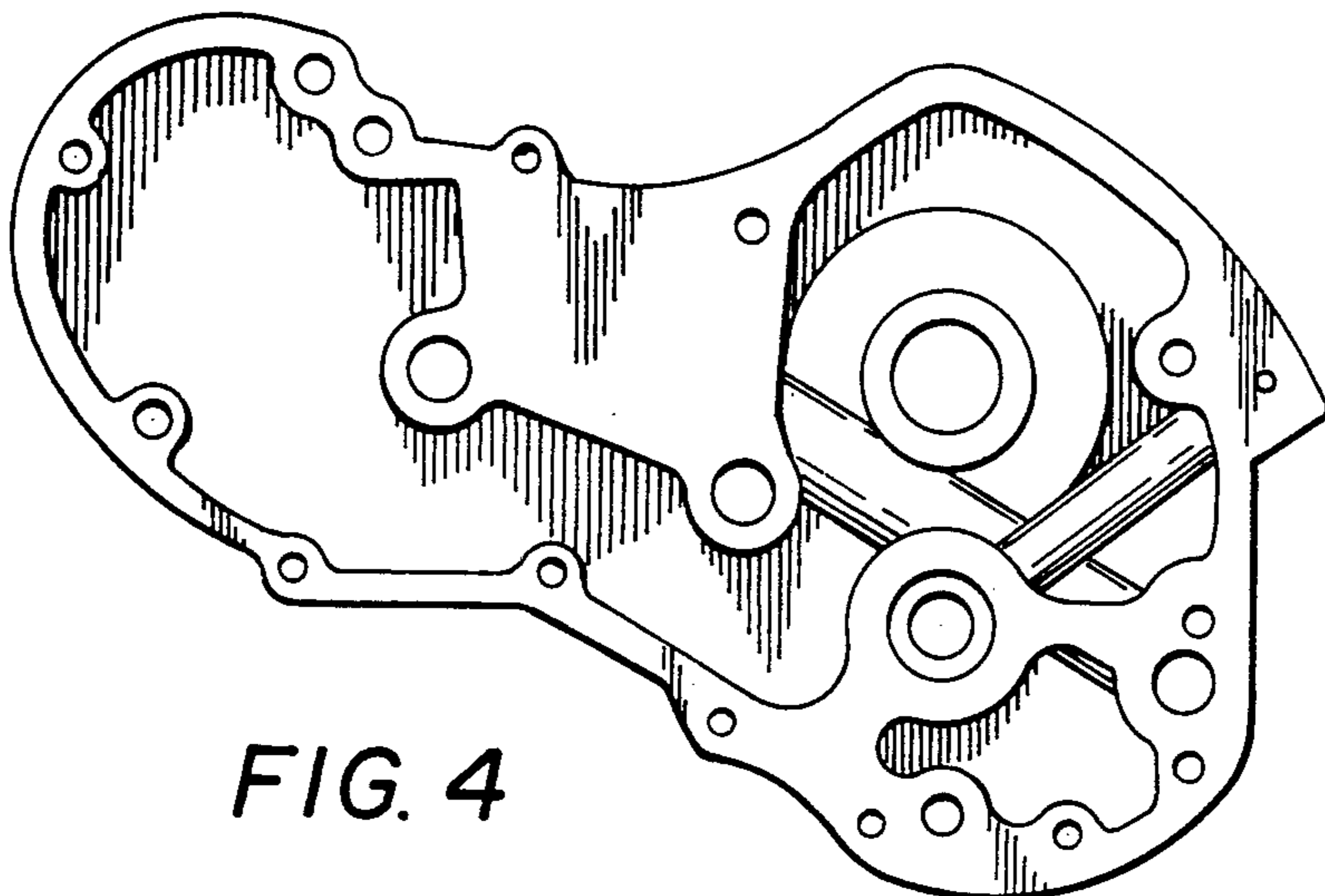


FIG. 4

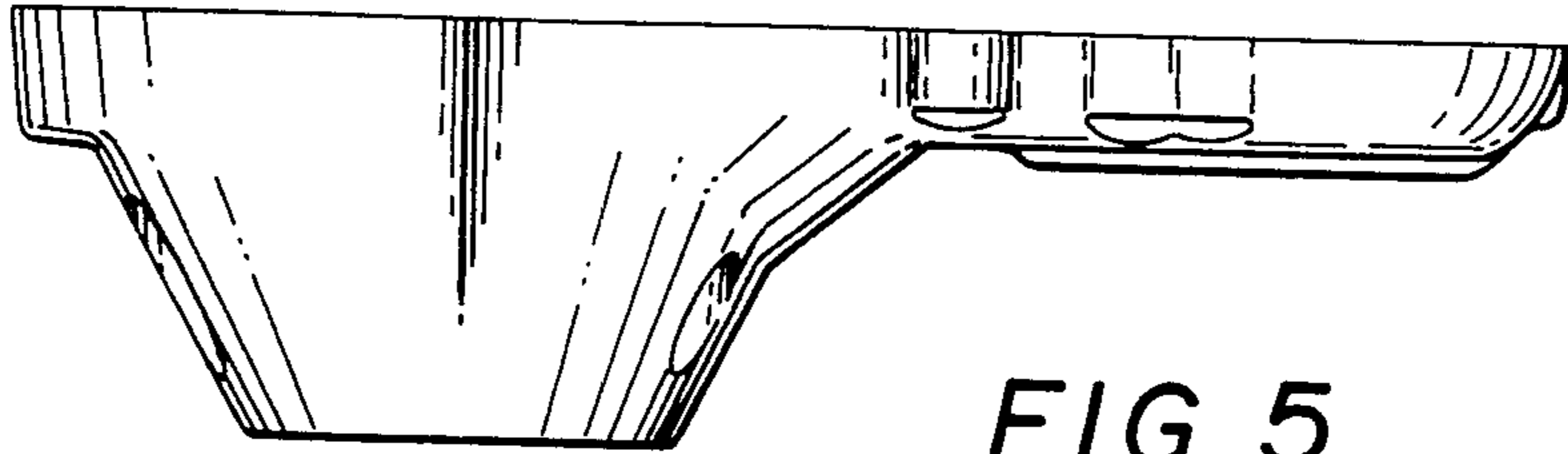


FIG. 5

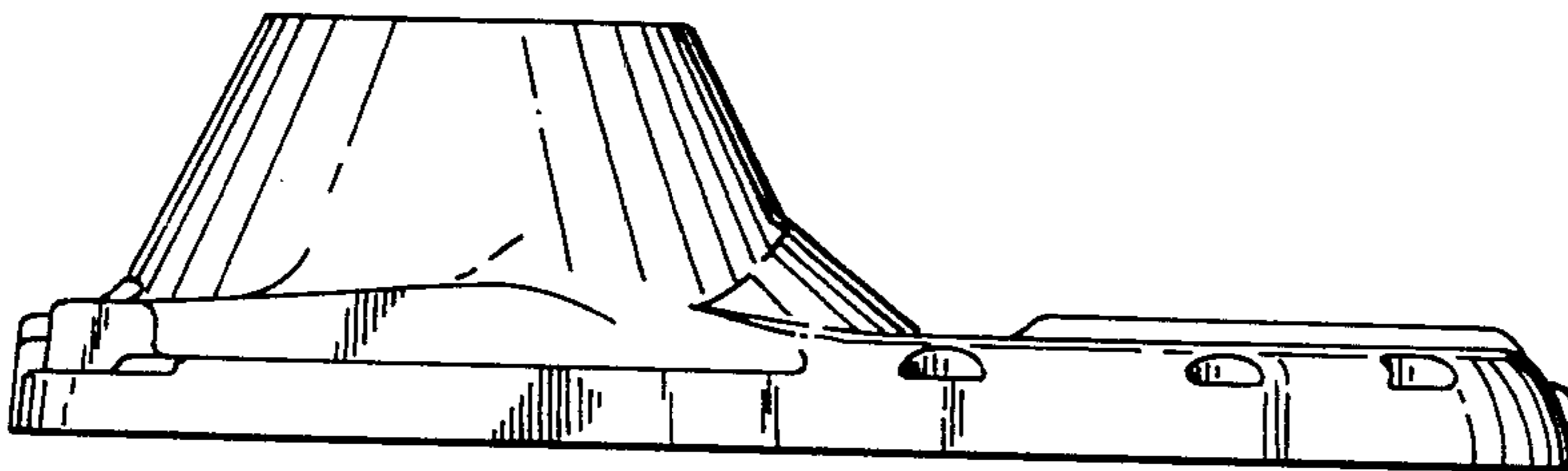


FIG. 6

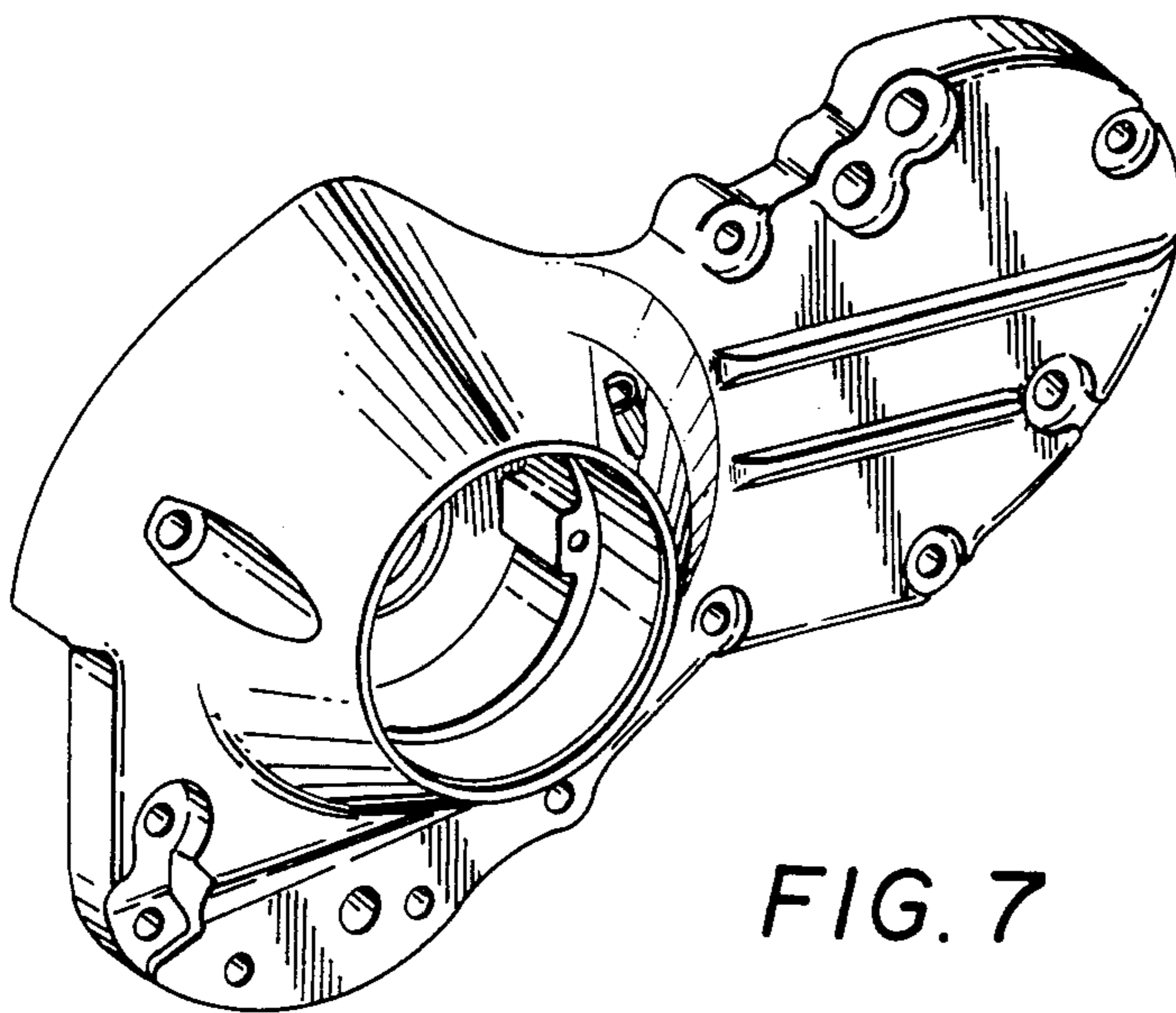


FIG. 7