

- [54] **SUPPORT TO HOLD POTTED PLANTS ABOVE WATER LEVEL**
- [76] Inventor: **Thomas L. Marantette**, 6119 E. Gold Dust, Scottsdale, Ariz. 85253
- [\*\*] Term: **14 Years**
- [21] Appl. No.: **107,333**
- [22] Filed: **Dec. 26, 1979**
- [51] Int. Cl. .... **D11-02**
- [52] U.S. Cl. .... **D11/164; D11/143**
- [58] Field of Search ..... **D8/1; D11/143-145, D11/149, 151-156, 164; 47/1.3, 17, 26, 28-32, 41, 41.12, 41.13, 59-69, 71, 72, 79-87**
- [56] **References Cited**  
**U.S. PATENT DOCUMENTS**  
 577,800 2/1897 Waterer ..... 47/80

737,581	9/1903	Chapman .....	47/71
910,905	1/1909	Clements .....	47/80
3,220,144	11/1965	Green .....	47/80
3,711,048	1/1973	Thalenfeld .....	47/41.13

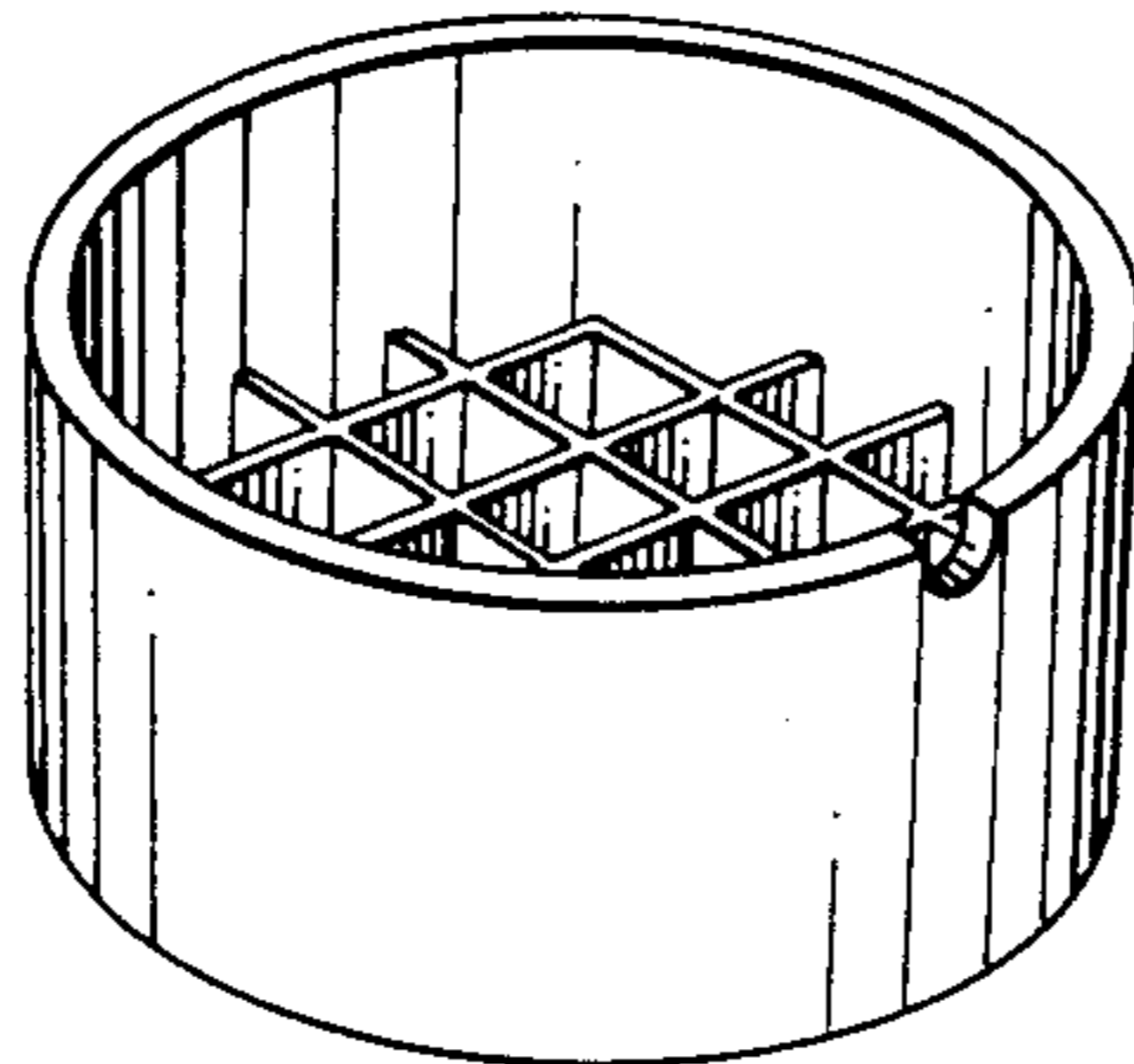
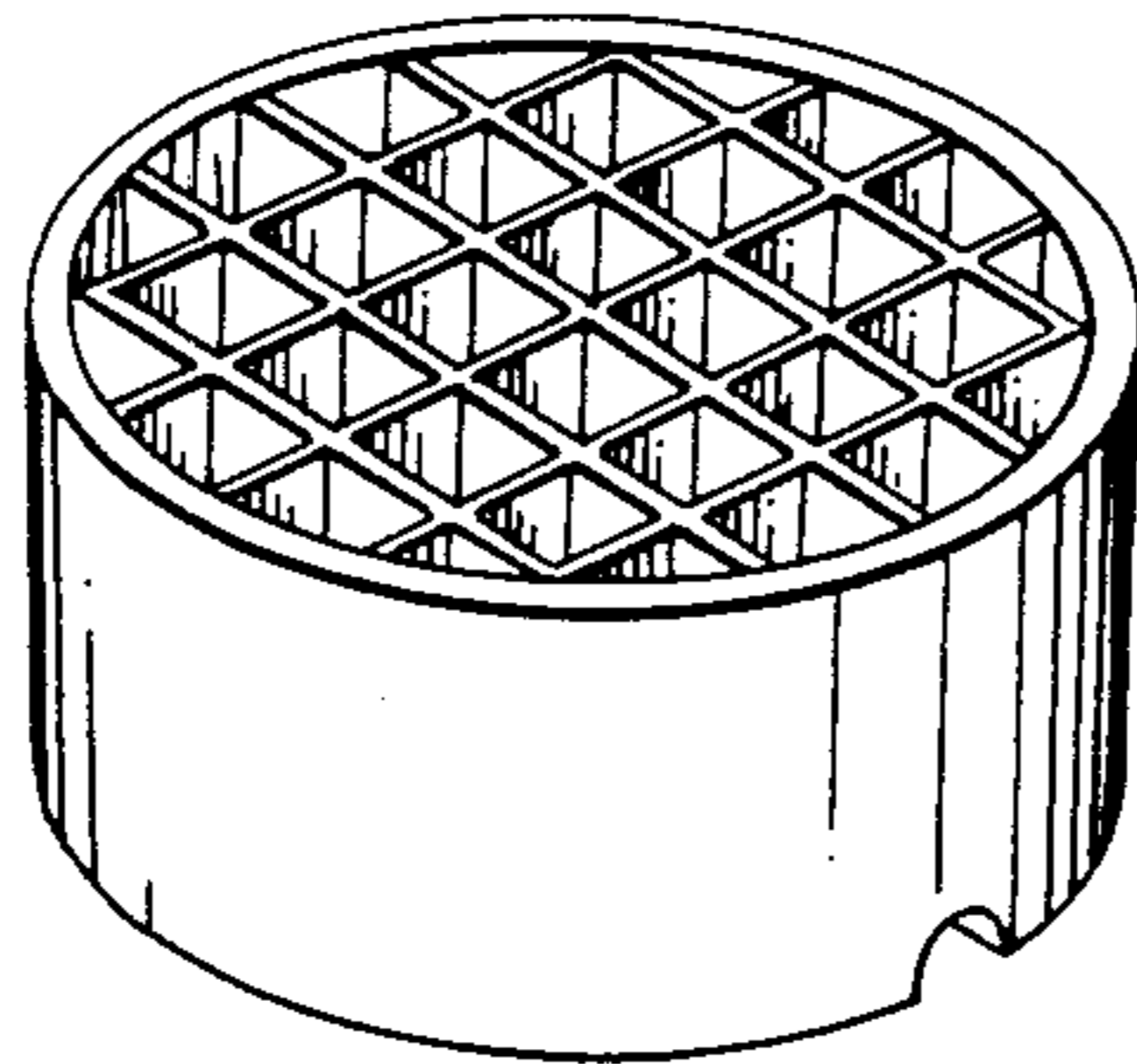
*Primary Examiner*—B. J. Bullock  
*Attorney, Agent, or Firm*—Cahill, Sutton & Thomas

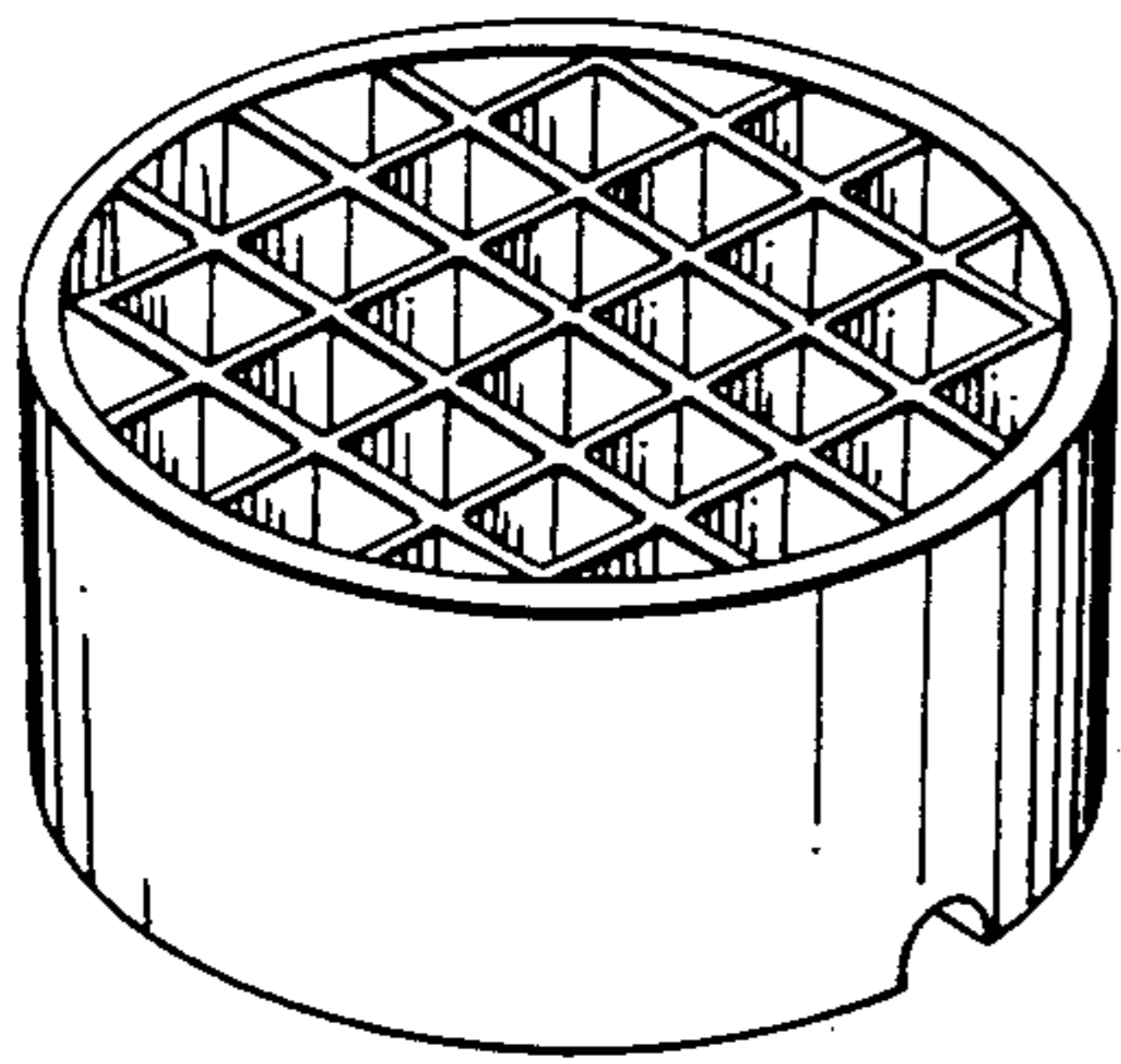
[57] **CLAIM**

The ornamental design for a support to hold potted plants above water level, as shown.

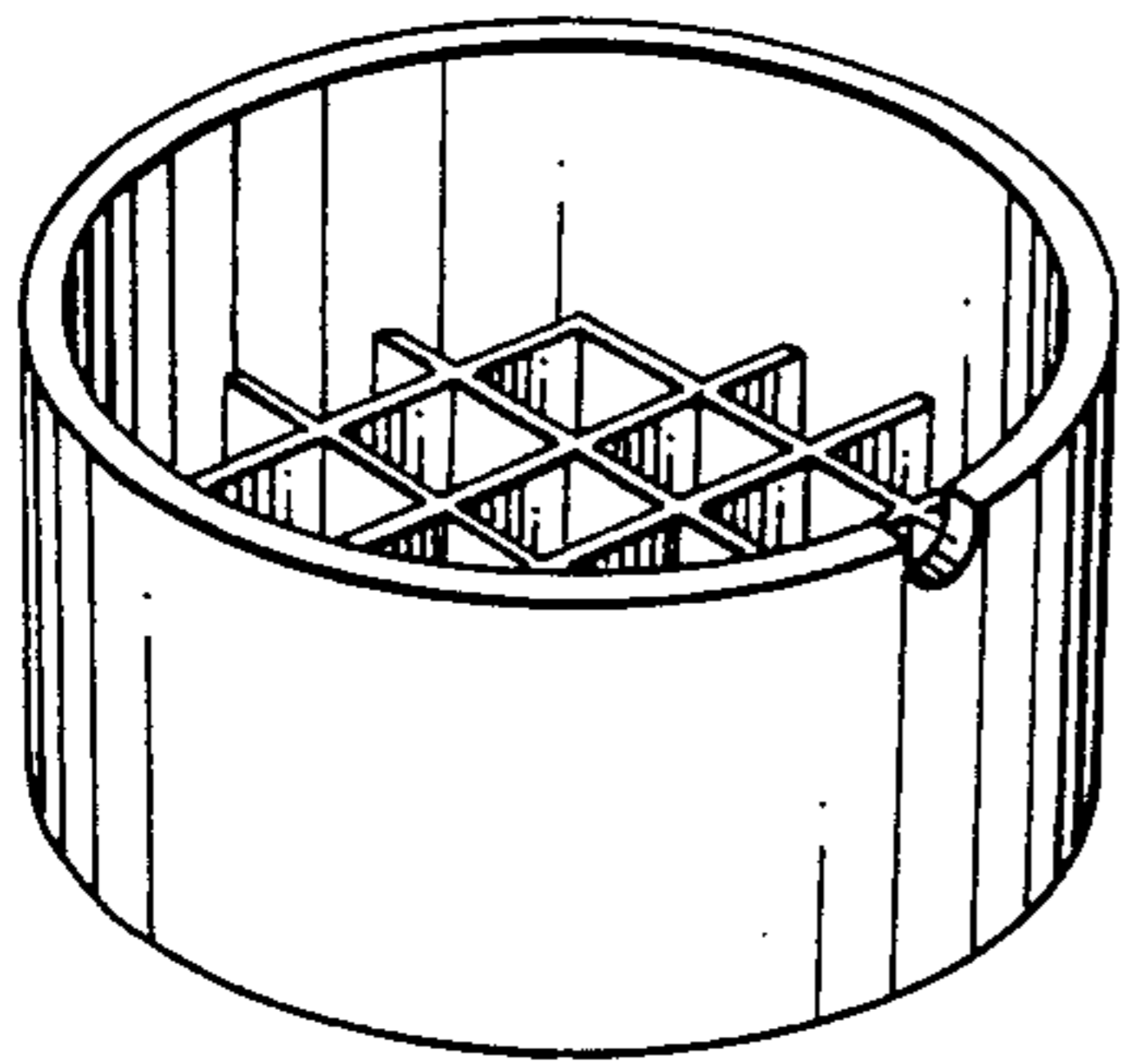
**DESCRIPTION**

FIG. 1 is a reduced top perspective view of a support to hold potted plants above water level showing my new design;  
 FIG. 2 is a reduced bottom perspective view thereof;  
 FIG. 3 is a side elevational view thereof;  
 FIG. 4 is a top view thereof; and  
 FIG. 5 is a bottom view thereof.

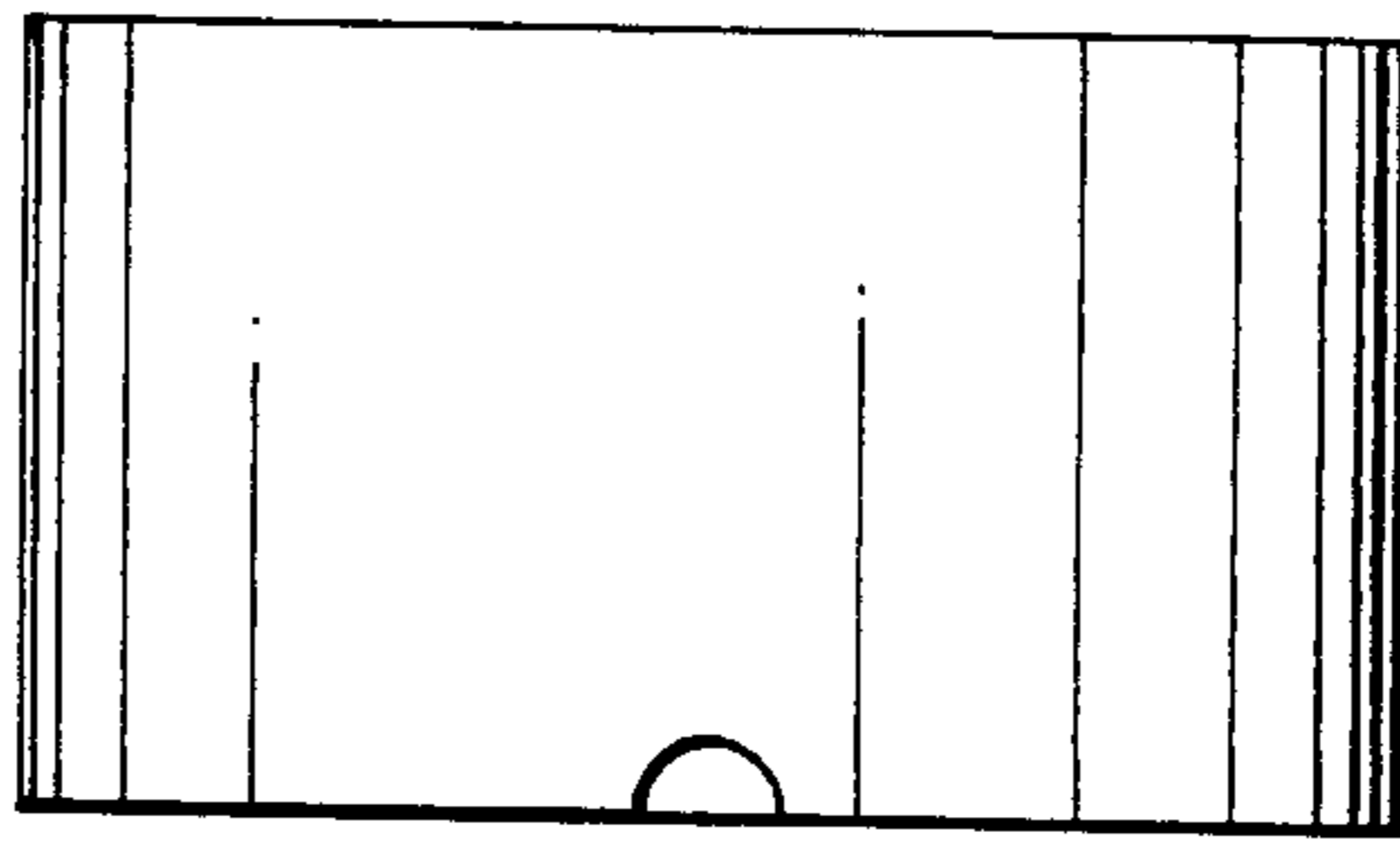




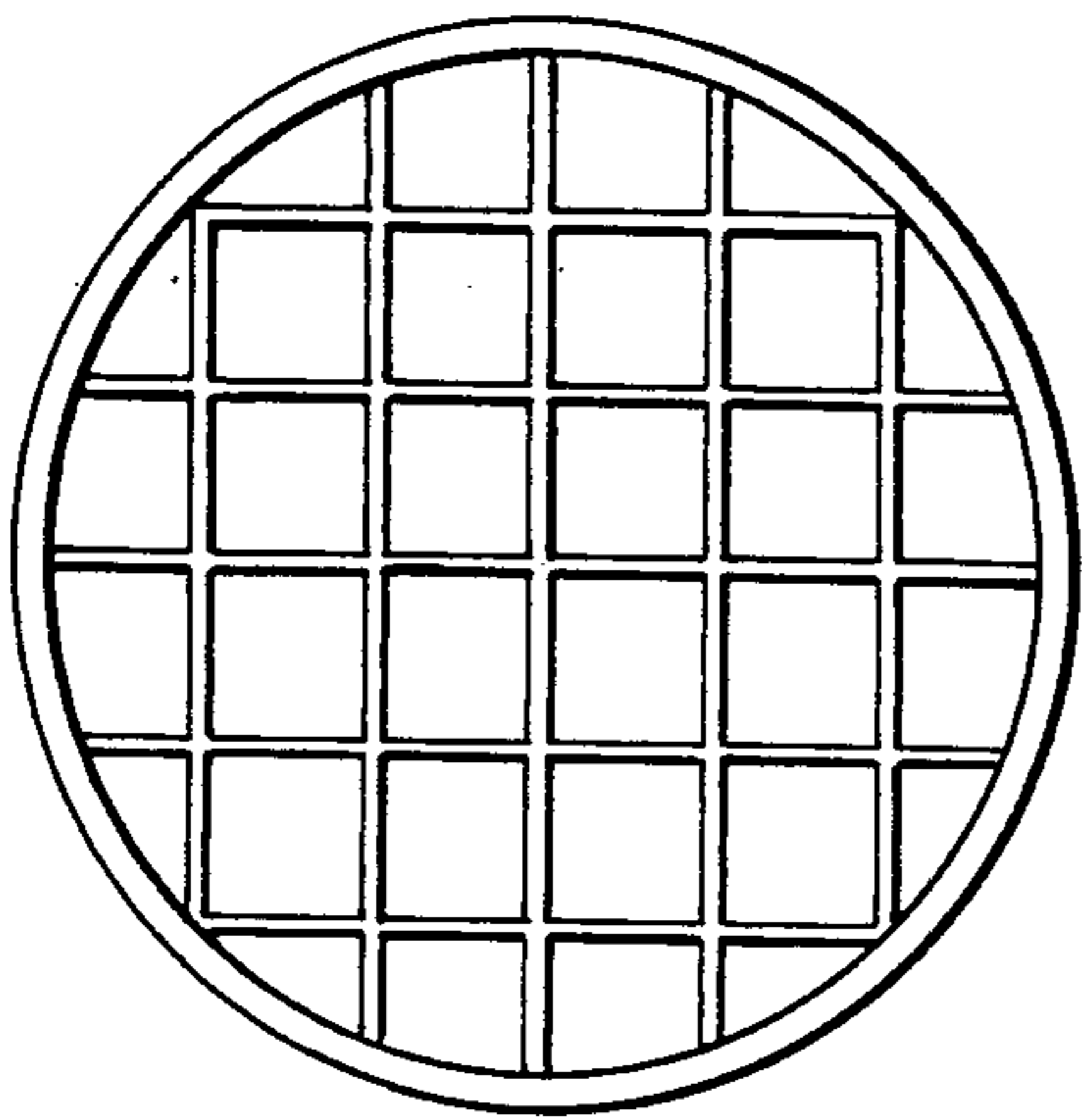
*fig. 1*



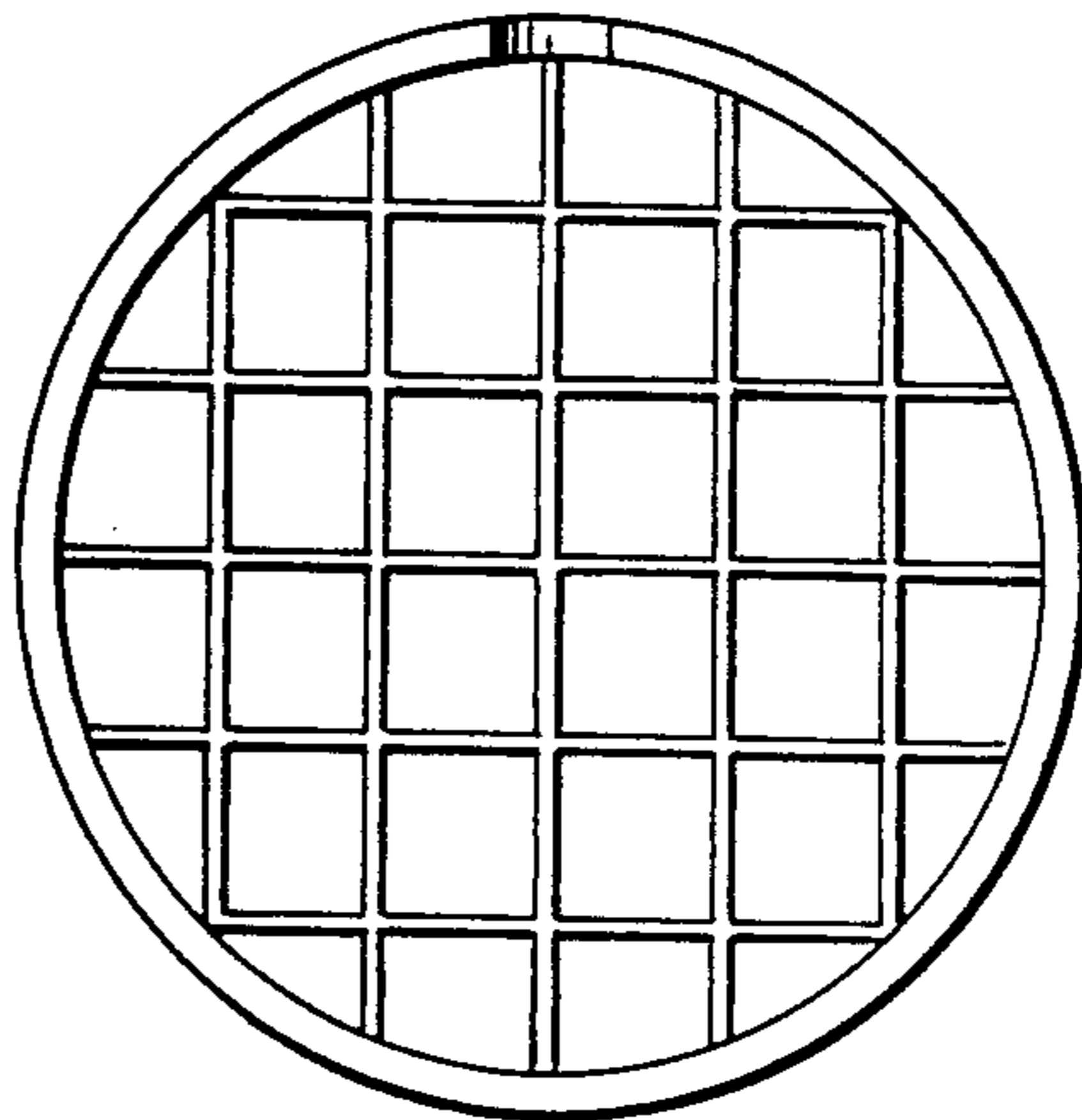
*fig. 2*



*fig. 3*



*fig. 4*



*fig. 5*