

[54] PLANTER

[75] Inventor: Helmut D. Julinot, Baltimore, Canada

[73] Assignee: Stewart Kenyon, Toronto, Canada

[**] Term: 14 Years

[21] Appl. No.: 28,157

[22] Filed: Apr. 9, 1979

[51] Int. Cl. D11-02

[52] U.S. Cl. D11/156; D11/143

[58] Field of Search D11/143-145, D11/149, 151-156, 164; D6/86; 47/41, 41.12, 41.13, 66-69, 71, 72, 79-87

[56] References Cited

U.S. PATENT DOCUMENTS

D. 212,374	10/1968	Hundt	D11/156
D. 234,654	4/1975	Woody	D6/86
D. 248,022	5/1978	Makilaakso	47/73
2,261,326	11/1941	Atkisson et al.	D11/156
3,561,158	2/1971	Marcan	47/87

Primary Examiner—B. J. Bullock

Attorney, Agent, or Firm—Rogers, Bereskin & Parr

[57] CLAIM

The ornamental design for a planter, as shown.

DESCRIPTION

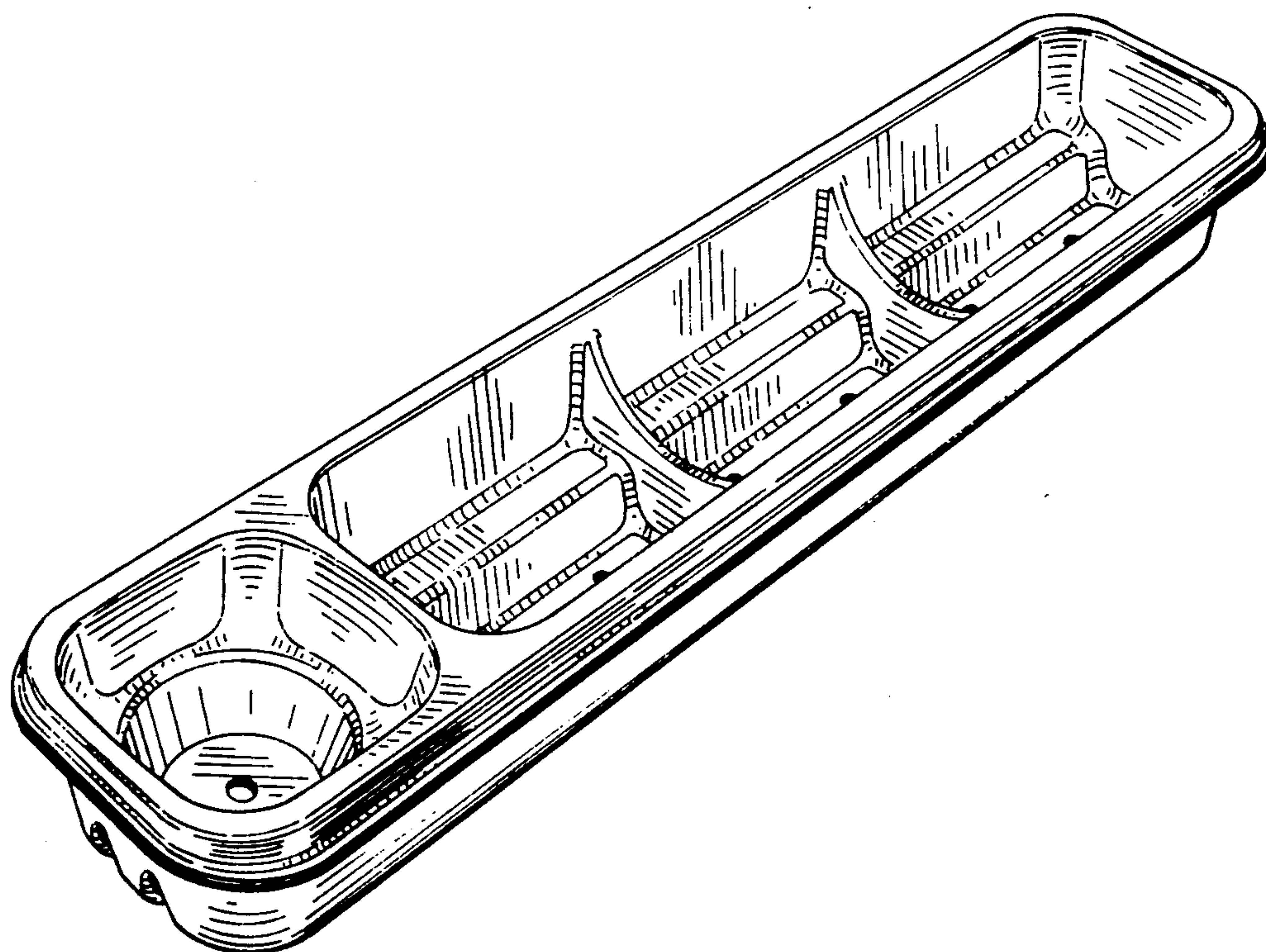
FIG. 1 is a front, top perspective view of a planter, showing my new design;

FIG. 2 is a rear, bottom perspective view thereof;

FIG. 3 is an end elevational view thereof;

FIG. 4 is a top plan view thereof;

FIG. 5 is a side elevational view thereof.



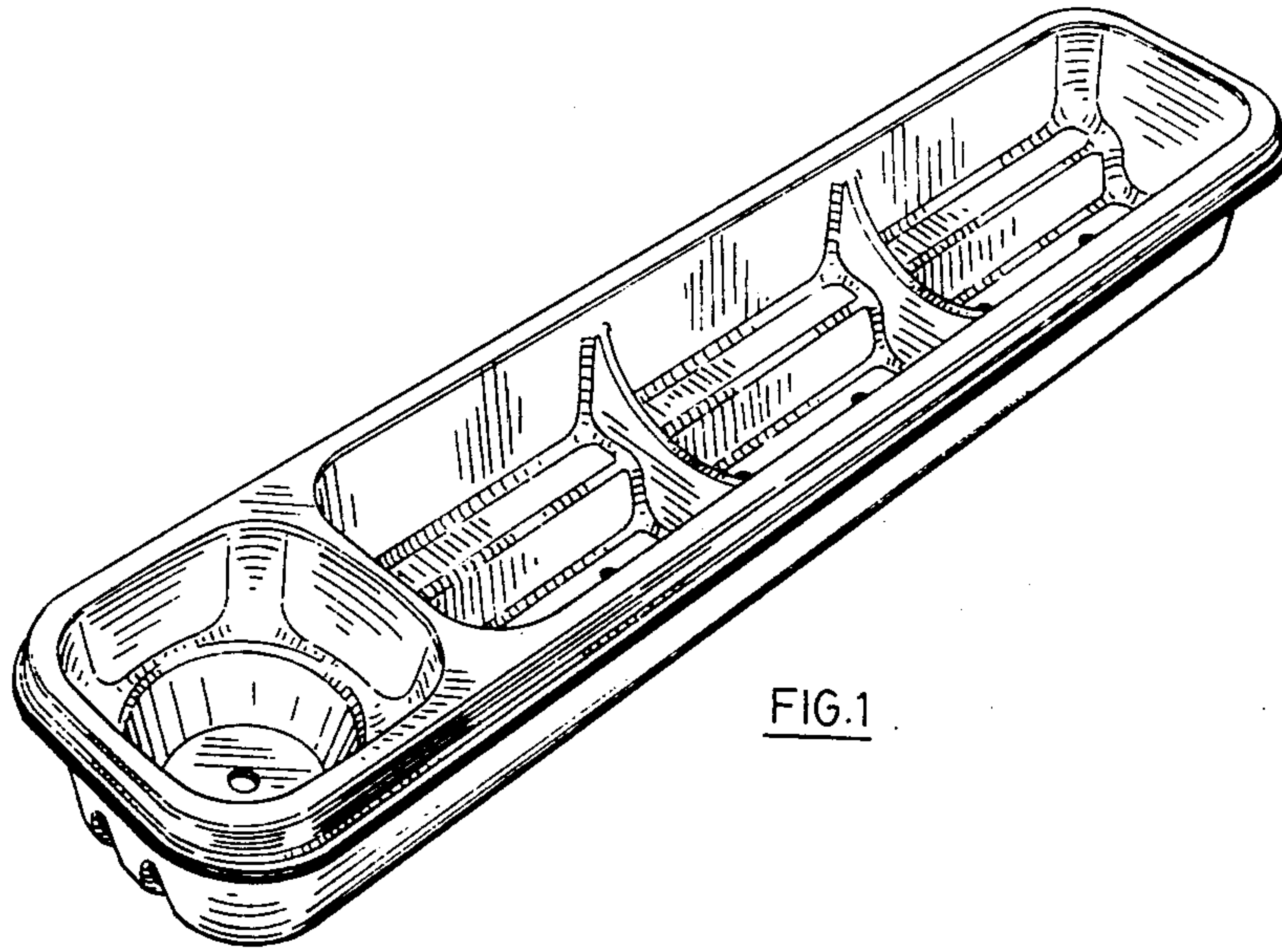


FIG. 1

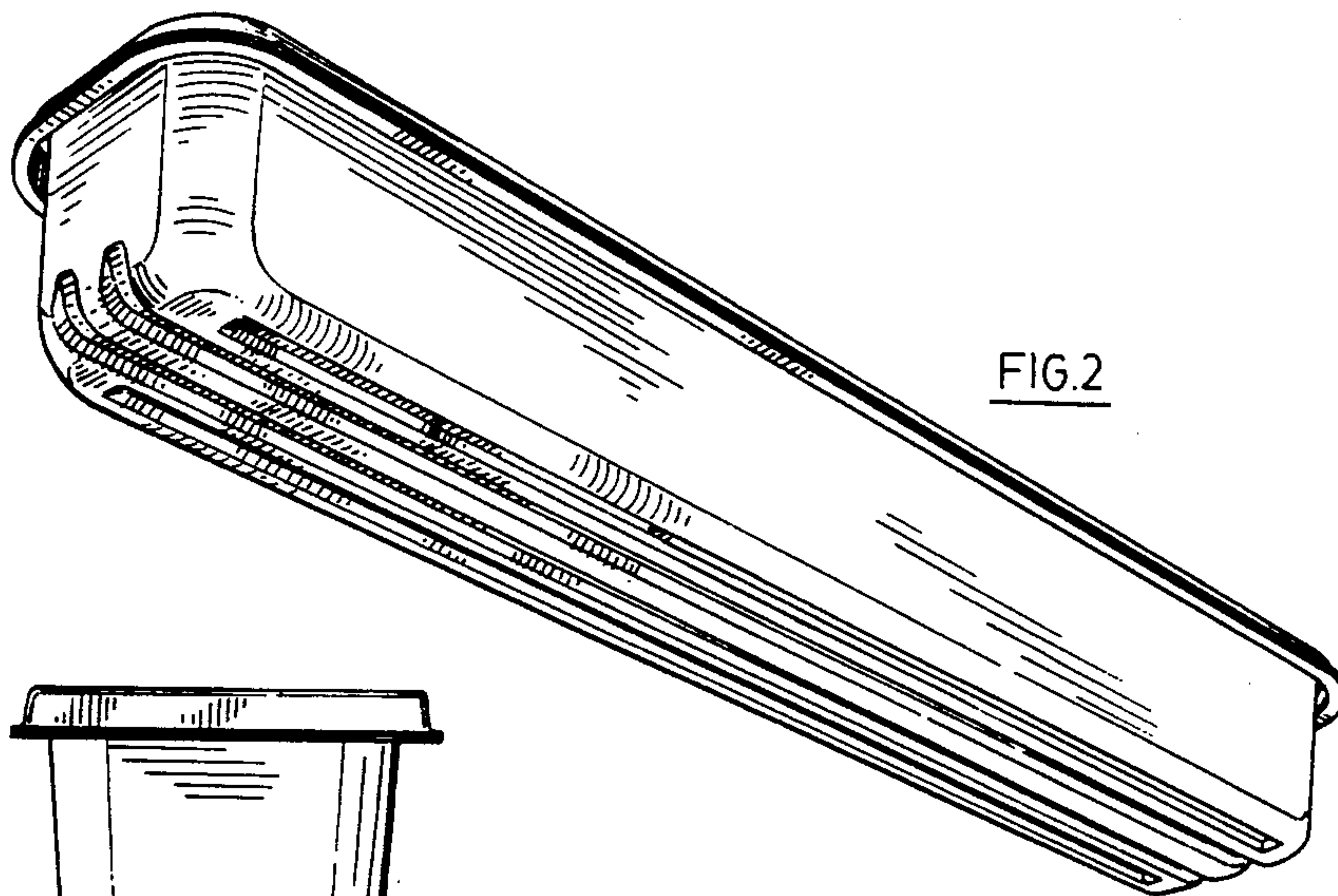


FIG. 2

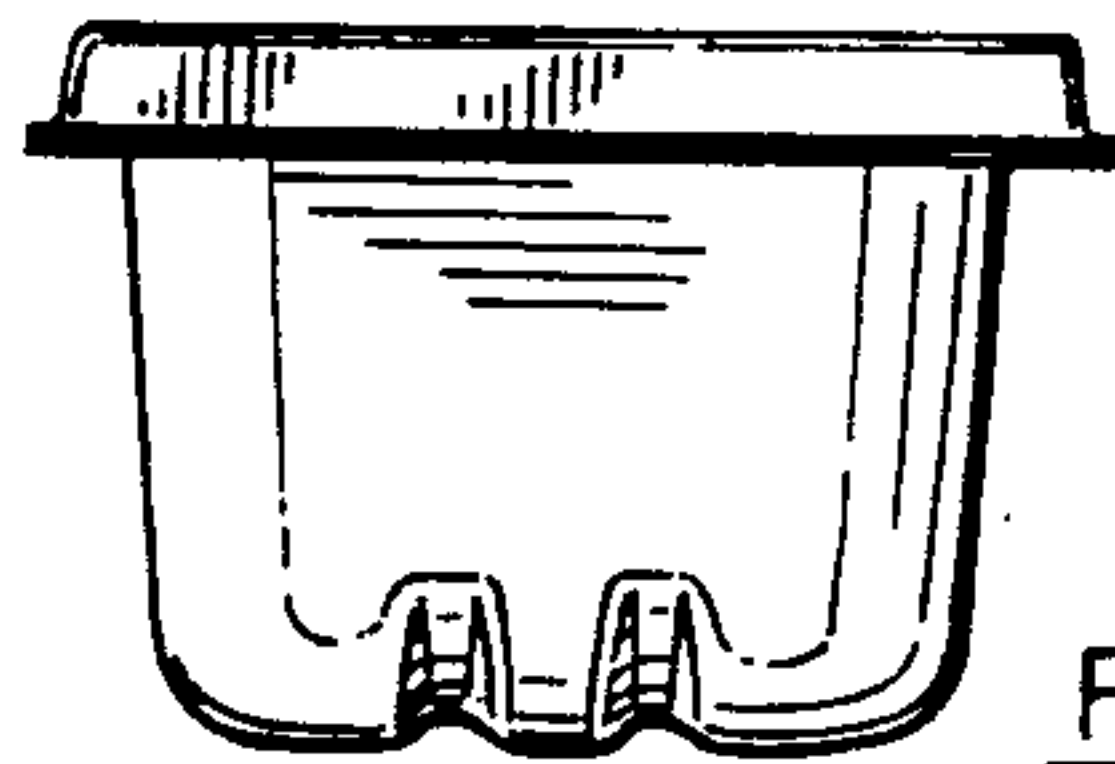


FIG. 3