

[54] HYDROPONIC GARDENING TRAY

[75] Inventors: Stewart T. Kenyon, 1134 Yonge St., Toronto, Ontario, Canada, M4W 2L8; Walter C. Kenyon, Toronto; Helmut D. Julinot, Baltimore, both of Canada

[73] Assignee: Stewart T. Kenyon, Toronto, Canada

[**] Term: 14 Years

[21] Appl. No.: 114,175

[22] Filed: Jan. 22, 1980

[51] Int. Cl. D11-02

[52] U.S. Cl. D11/155

[58] Field of Search D11/143-145, D11/149, 151-156, 164; 47/41, 41.12, 41.13, 66-69, 71, 72, 79-87

[56] References Cited

U.S. PATENT DOCUMENTS

D. 218,629	9/1970	Hasselbach	D11/156
D. 229,329	11/1973	Jansen	D11/156
D. 241,874	10/1976	Berglund	D11/156
3,992,809	11/1976	Chew	47/62

FOREIGN PATENT DOCUMENTS

1252929	11/1971	United Kingdom	47/86
---------	---------	----------------------	-------

Primary Examiner—B. J. Bullock

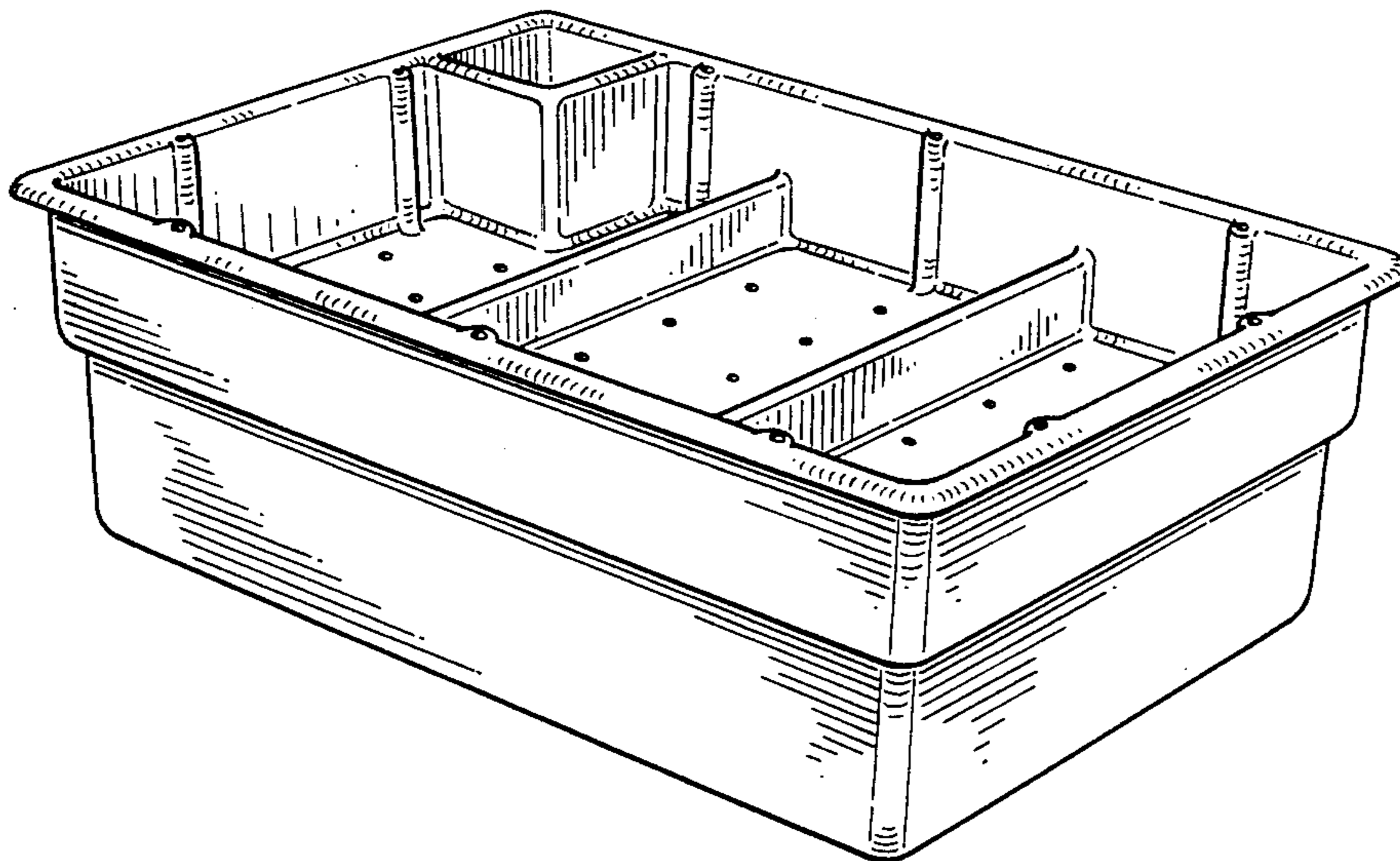
Attorney, Agent, or Firm—Rogers, Bereskin & Parr

[57] CLAIM

The ornamental design for a hydroponic gardening tray, as shown.

DESCRIPTION

FIG. 1 is a front, top perspective view of a hydroponic gardening tray showing our new design; FIG. 2 is a rear, bottom perspective view thereof; FIG. 3 is a top plan view thereof; FIG. 4 is an end elevational view thereof.



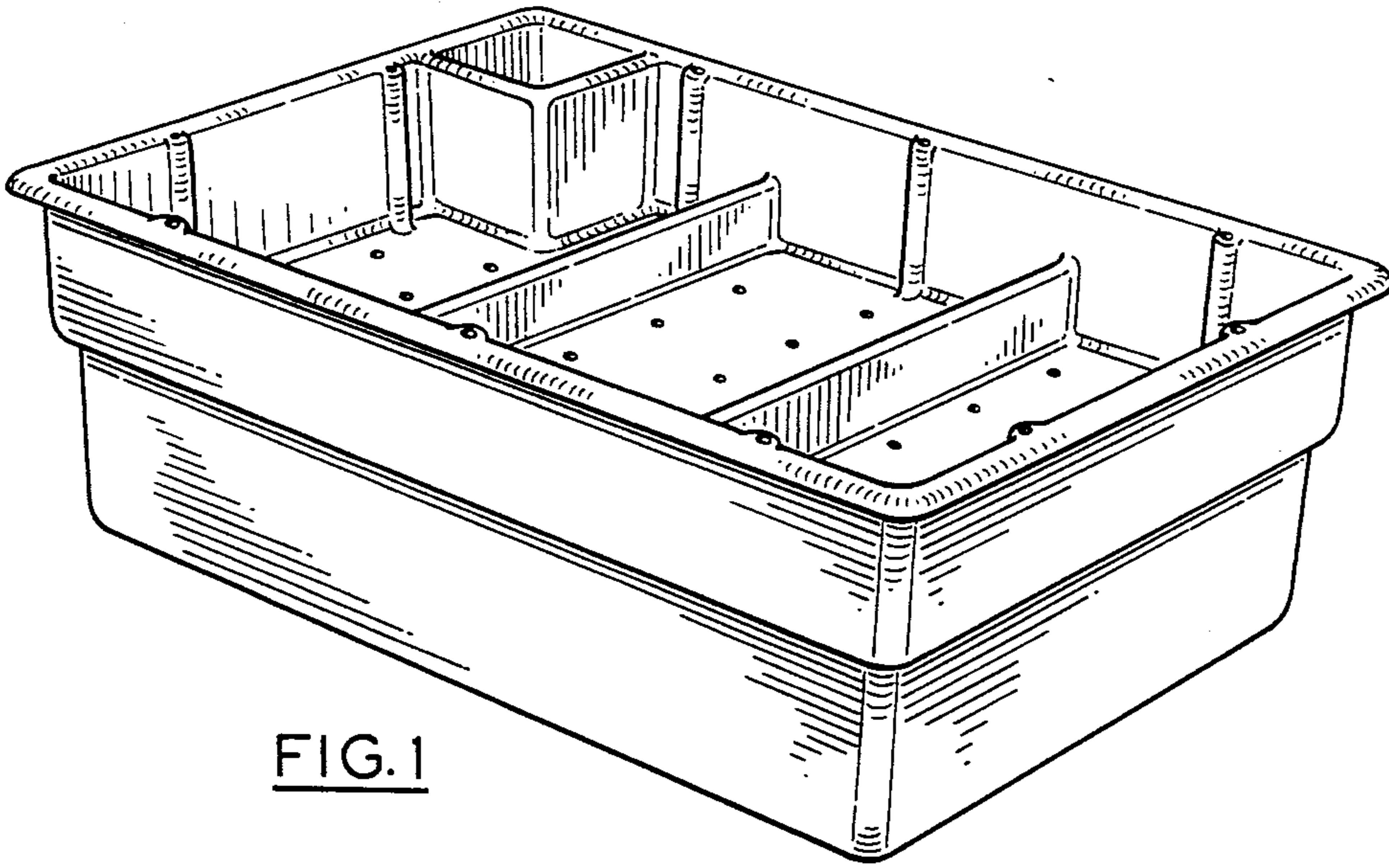


FIG. 1

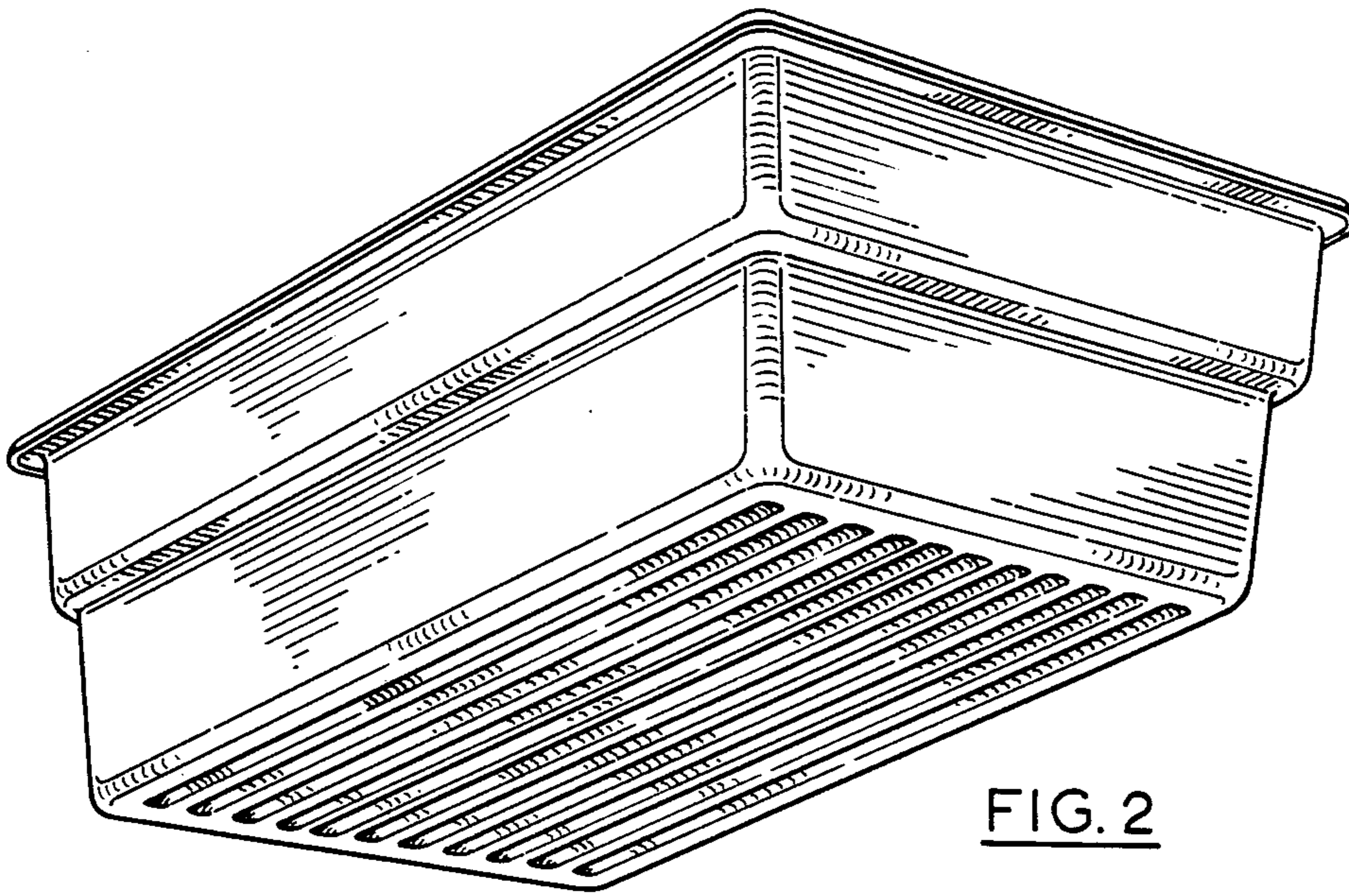


FIG. 2

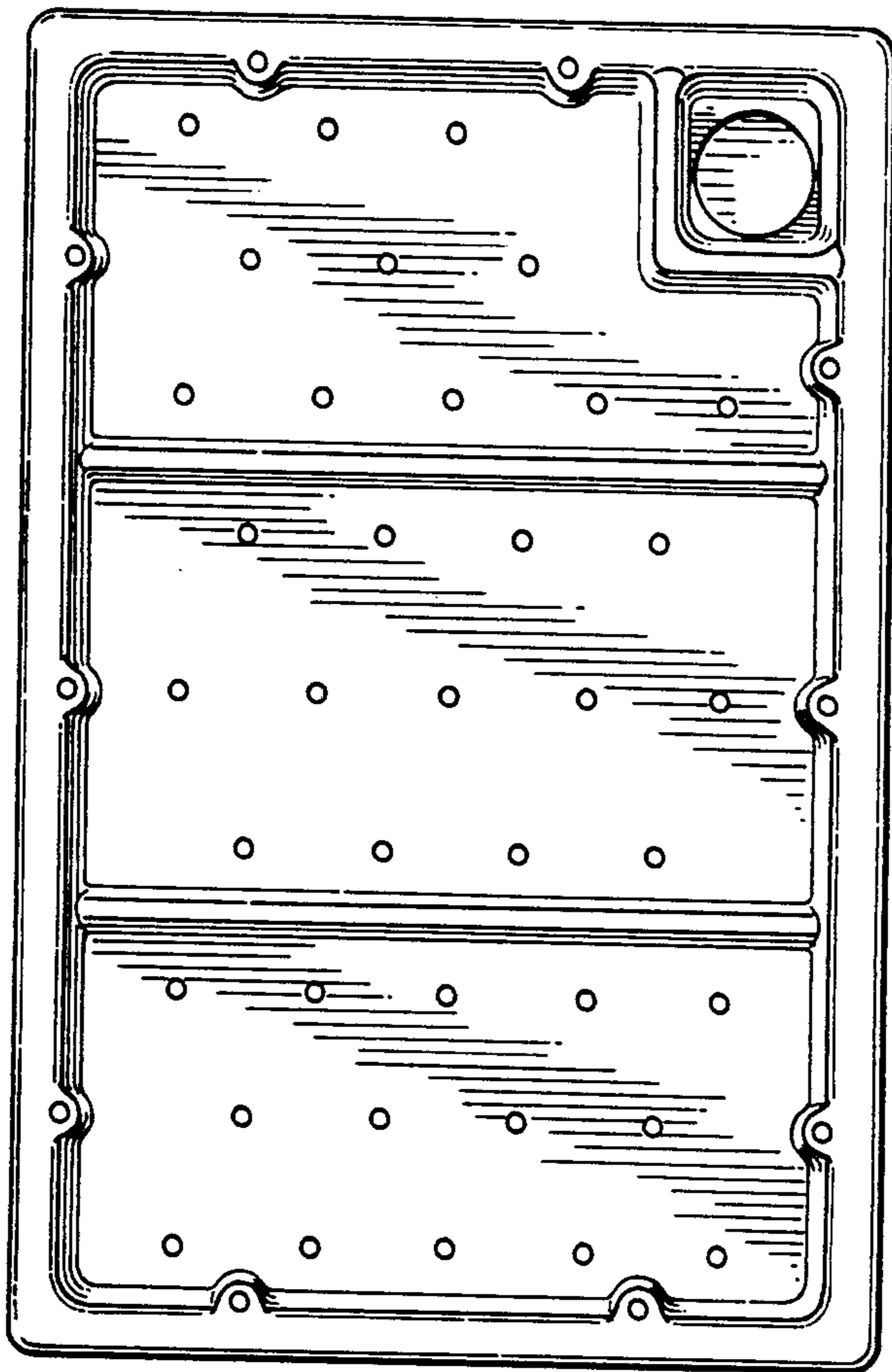


FIG. 3

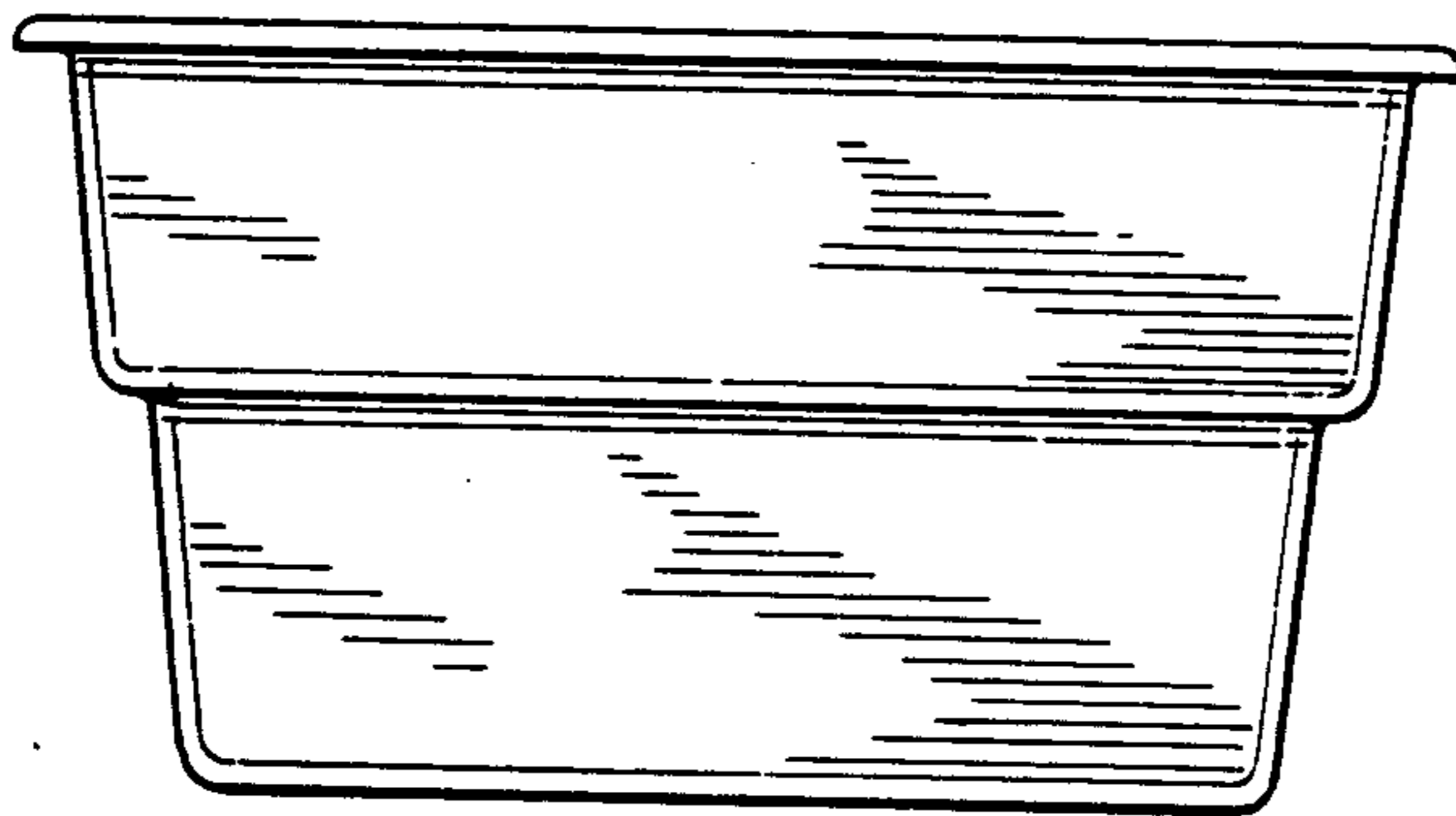


FIG. 4