

[54] DISAPPEARING SPHEROID DISPLAY

[76] Inventor: Karen G. A. Mortillaro, 8652 Salt Lake Dr., Huntington Beach, Calif. 92646

[**] Term: 14 Years

[21] Appl. No.: 111

[22] Filed: Jan. 2, 1979

[51] Int. Cl. D11-02

[52] U.S. Cl. D11/131; D19/59

[58] Field of Search D11/131, 157; 428/13, 428/14; D19/59

[56] References Cited

FOREIGN PATENT DOCUMENTS

462002 2/1951 Italy 428/14

OTHER PUBLICATIONS

Modern Plastics, May 1977, p. 150-Egg within a cube.
Interiors, Jun. 1960, p. 181-Habitat Light at top right.
Laping Models For Mathematics and Technical Education, 1966, p. 1, Partitioned Cube at center.
Gift & Tableware Reporter, Feb. 1975, 1st issue, p. 48-Lucite Coaster Set at left center.

Primary Examiner—Louis S. Zarfes
Attorney, Agent, or Firm—F. Munro Redman

[57] CLAIM

The ornamental design for a disappearing spheroid display, as shown.

DESCRIPTION

FIG. 1 is a perspective view of a disappearing spheroid display showing my new design; FIG. 2 is an end elevational view thereof; and FIG. 3 is a side elevational view thereof.

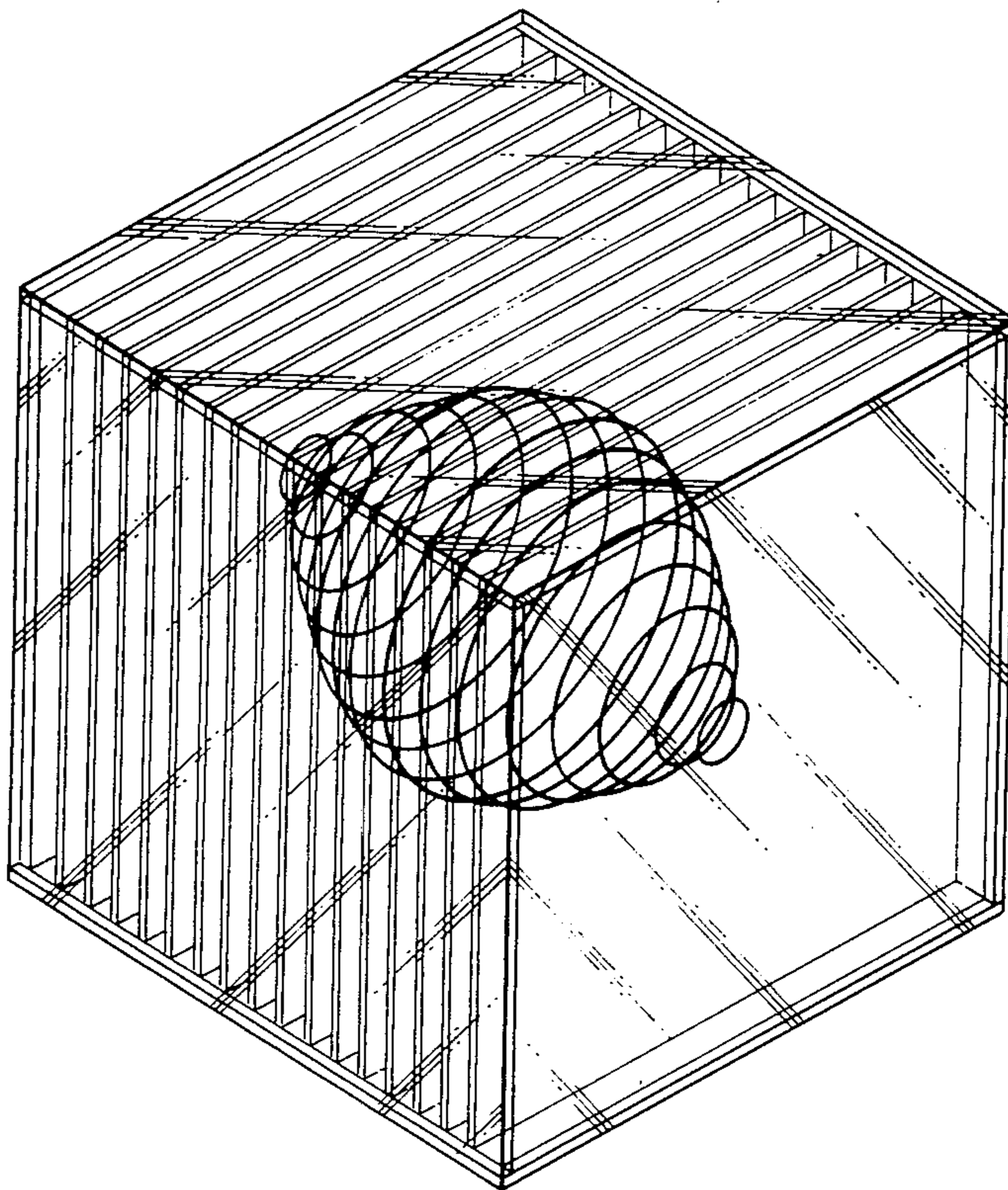


FIG. 1.

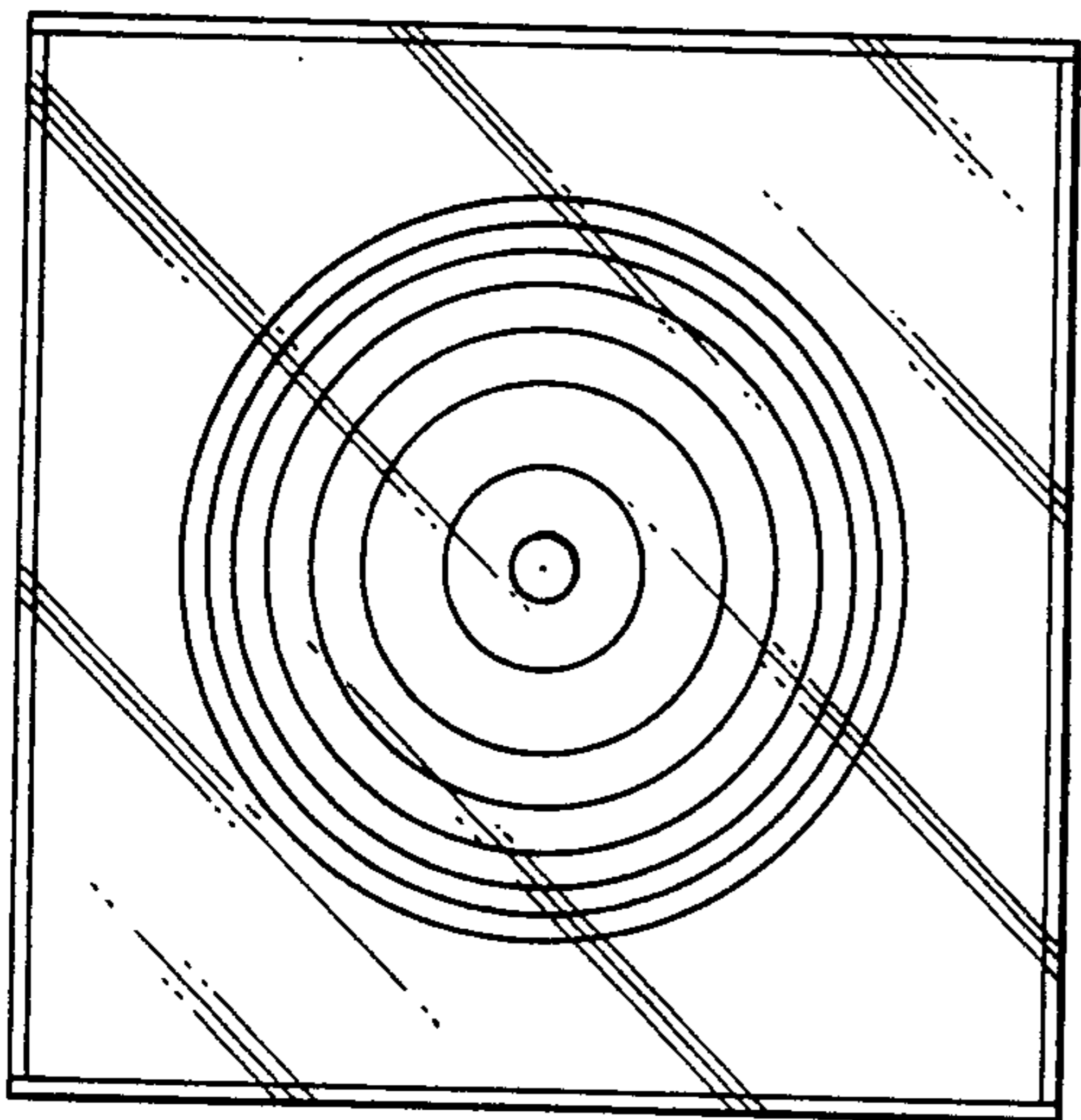
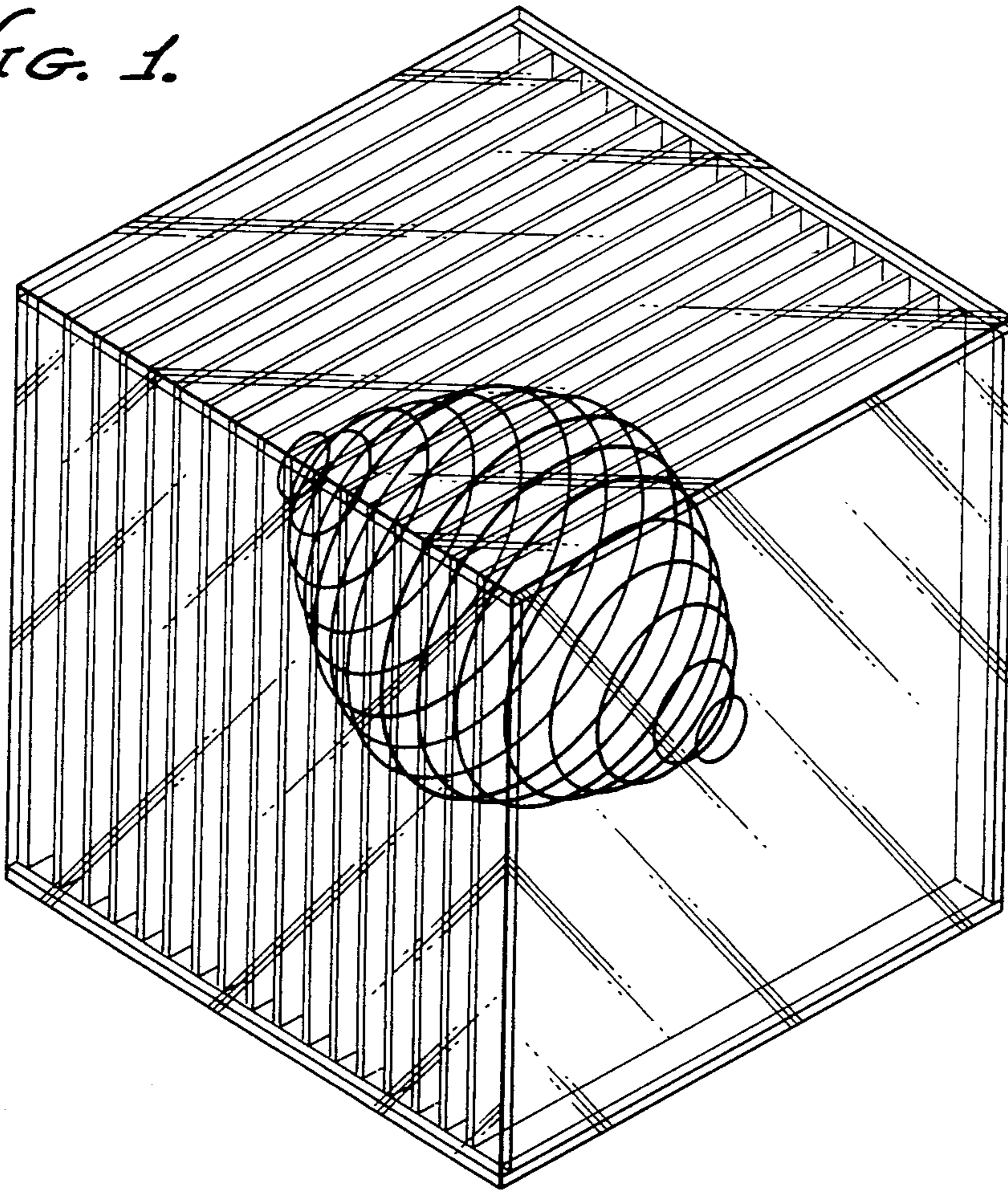


FIG. 2.

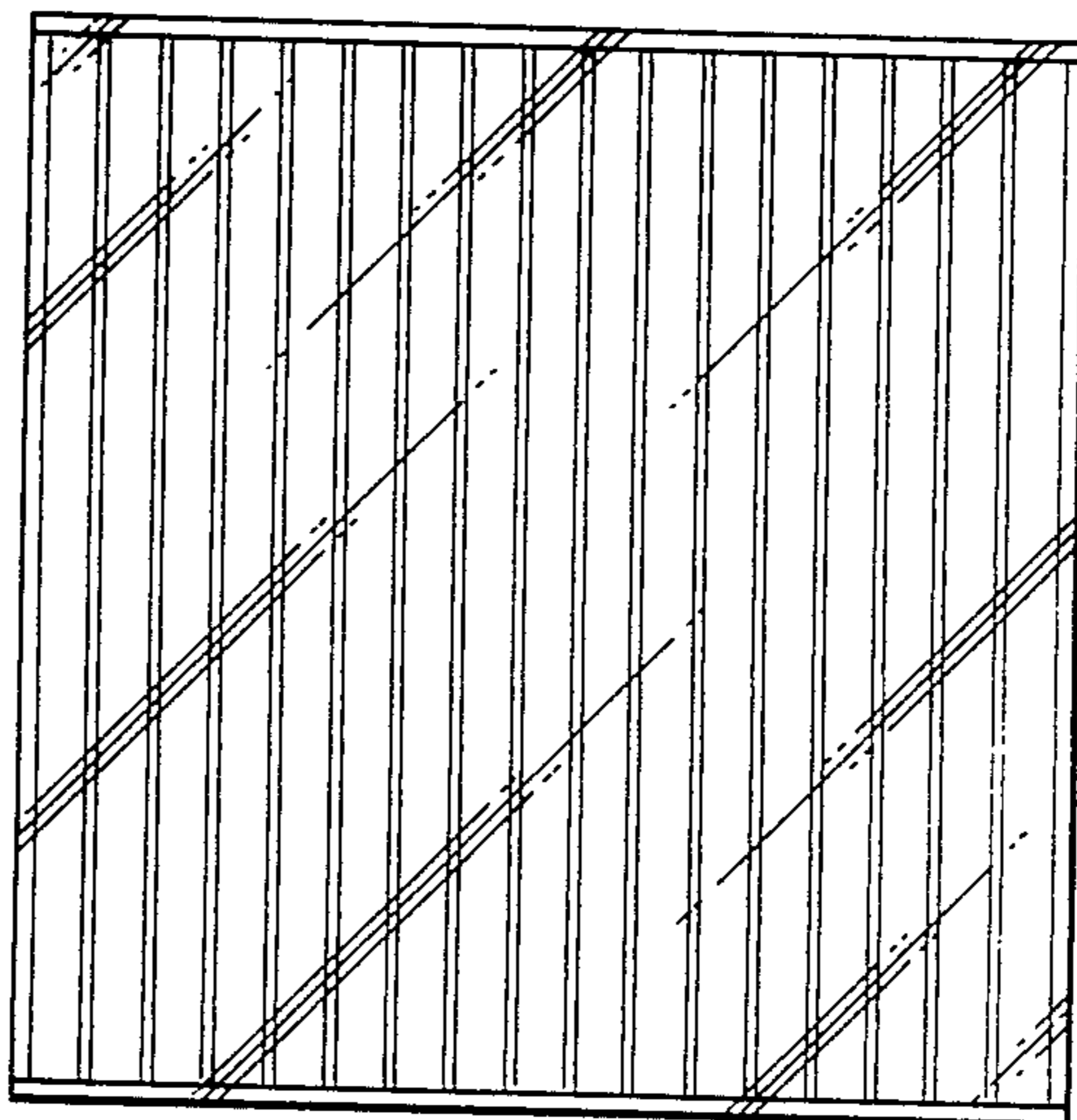


FIG. 3.