

[54] COMBINED DOOR LOCK BOLT AND COVER PLATE

[76] Inventor: David M. Ciener, P.O. Box 288M, Geneva, Fla. 32732

[**] Term: 14 Years

[21] Appl. No.: 3,112

[22] Filed: Jan. 15, 1979

[51] Int. Cl. D8-07

[52] U.S. Cl. D8/331; D8/343; 292/346

[58] Field of Search D8/331, 343, 344, 346; 292/333, 346

[56] References Cited

U.S. PATENT DOCUMENTS

2,921,461	1/1960	Schlage	292/337
3,405,962	10/1968	Sushan	292/346
4,130,311	12/1978	Sushan	292/346

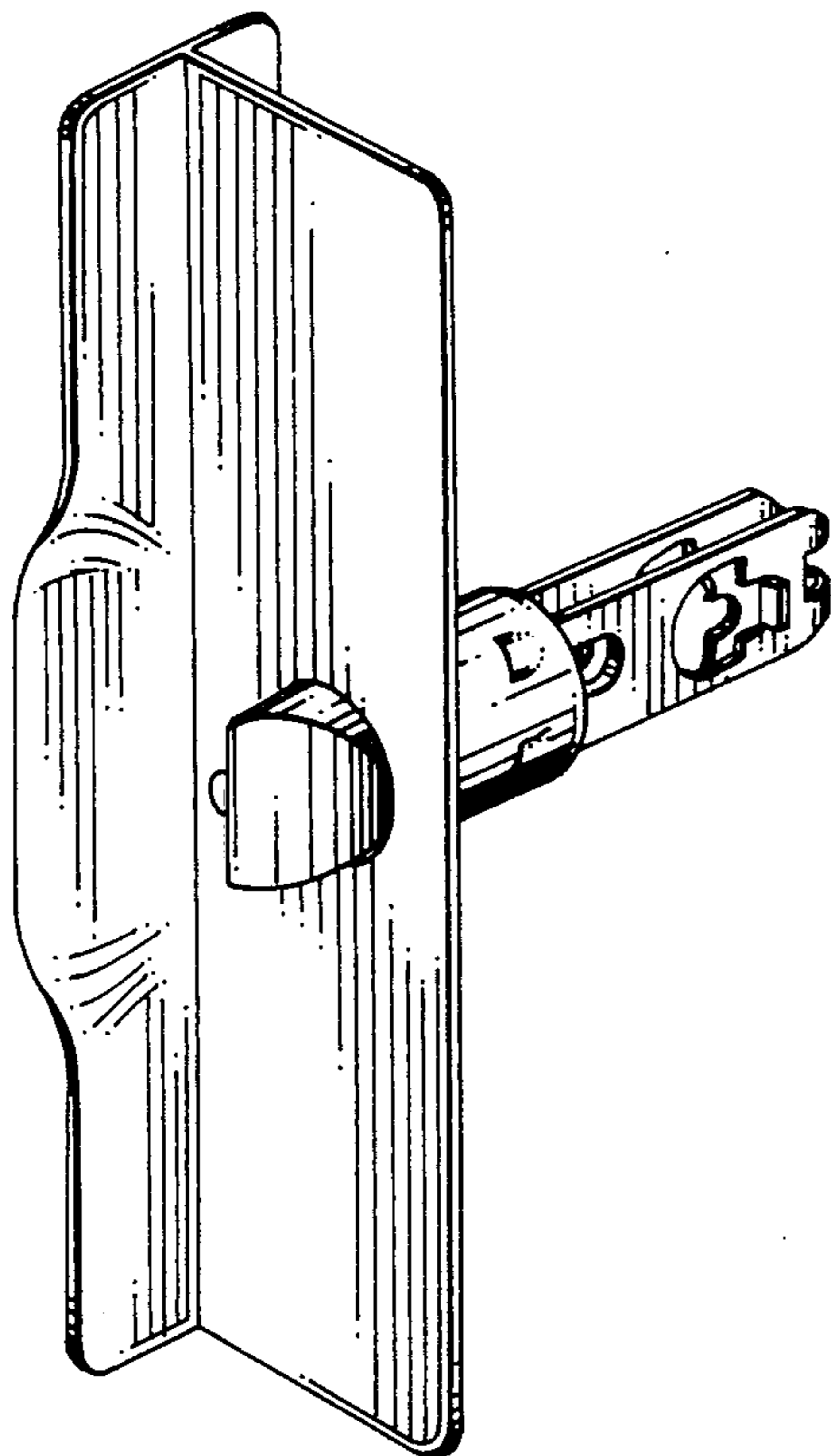
Primary Examiner—James M. Gandy
Attorney, Agent, or Firm—Duckworth, Hobby, Allen, Dyer & Pettis

[57] CLAIM

The ornamental design for a combined door lock bolt and cover plate, as shown.

DESCRIPTION

FIG. 1 is a front perspective view of a combined door lock bolt and cover plate showing my new design; FIG. 2 is a rear perspective view thereof; FIG. 3 is a front elevational view thereof; FIG. 4 is a side elevational view thereof; and FIG. 5 is a top plan view thereof.



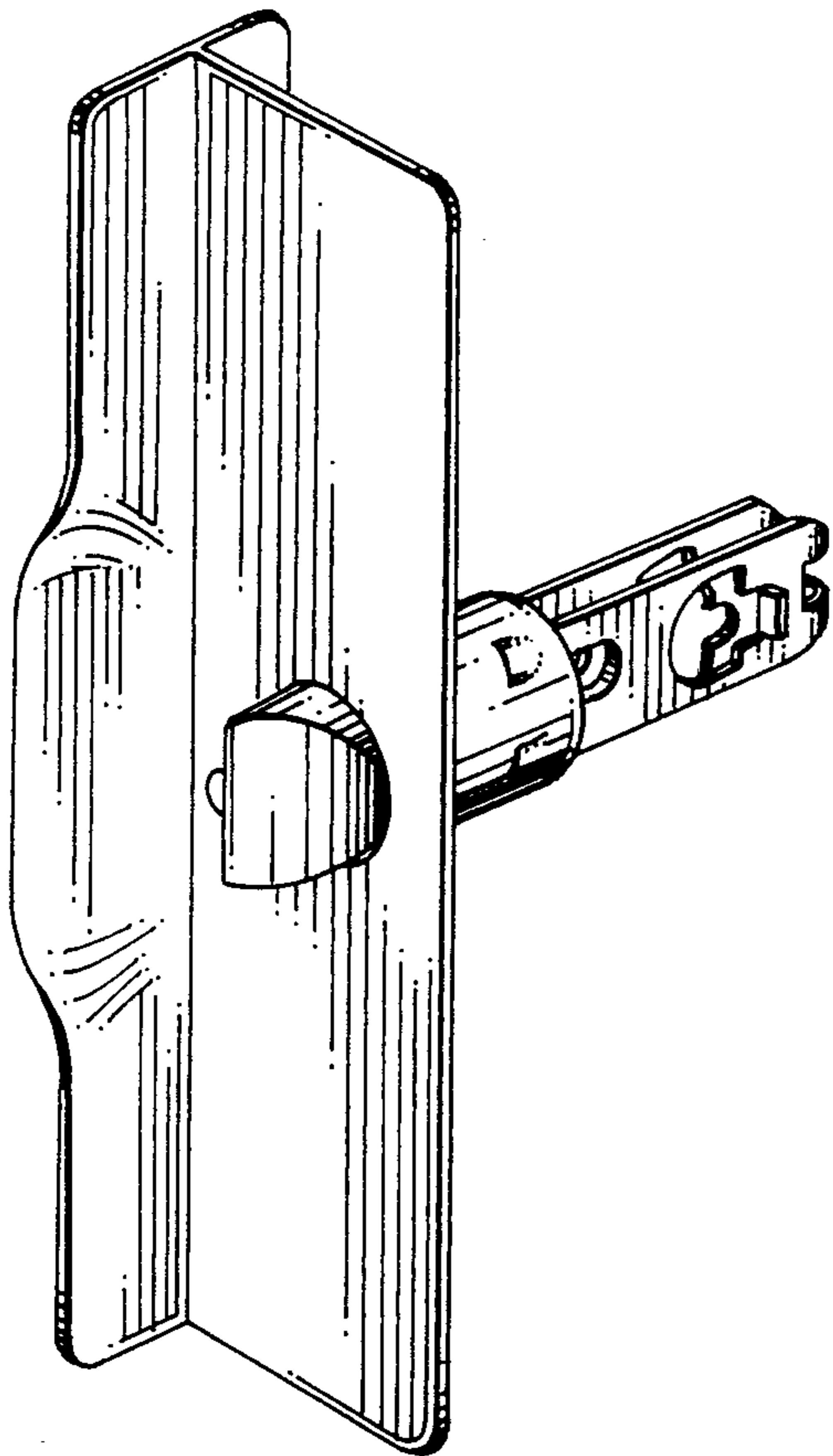


FIG. 1

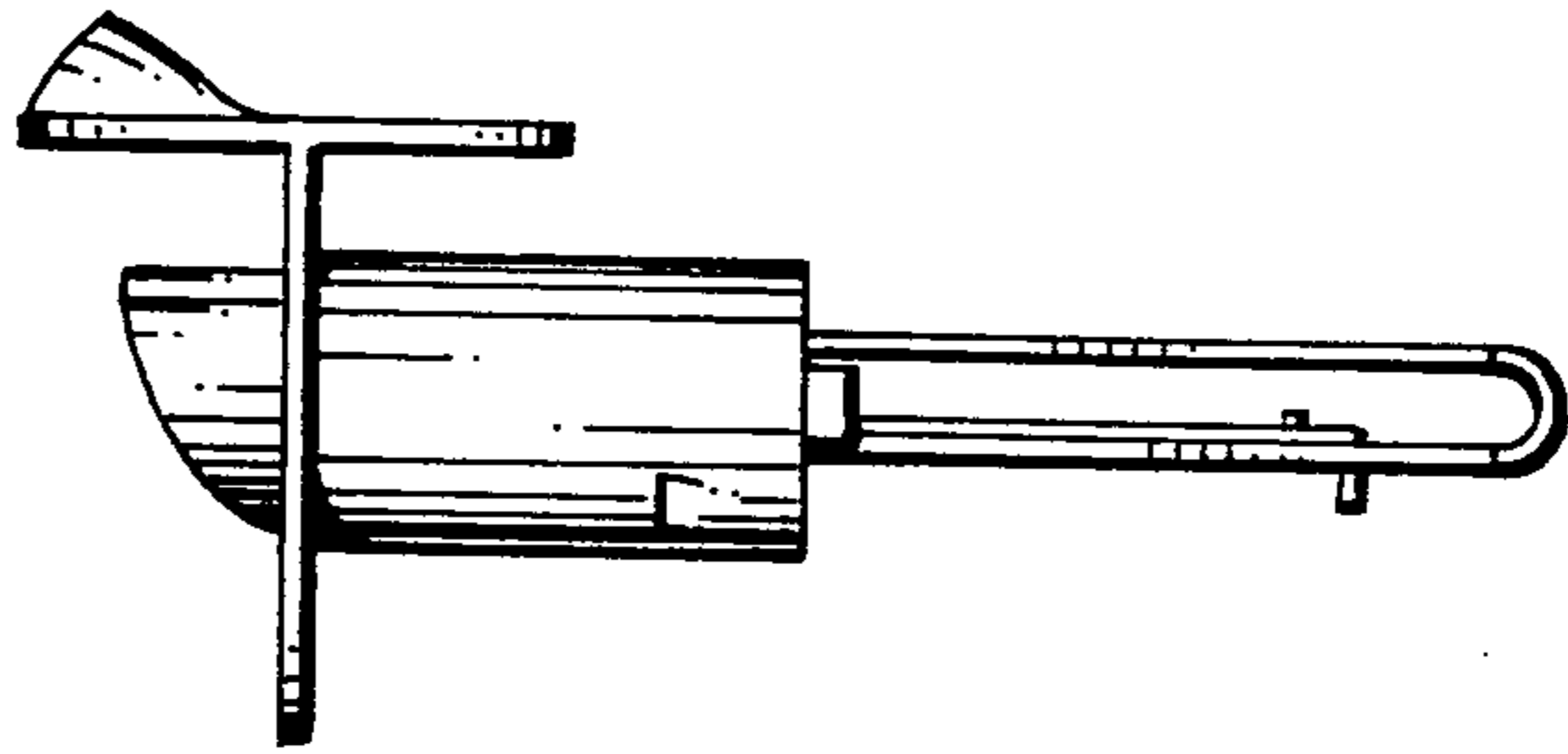


FIG. 5

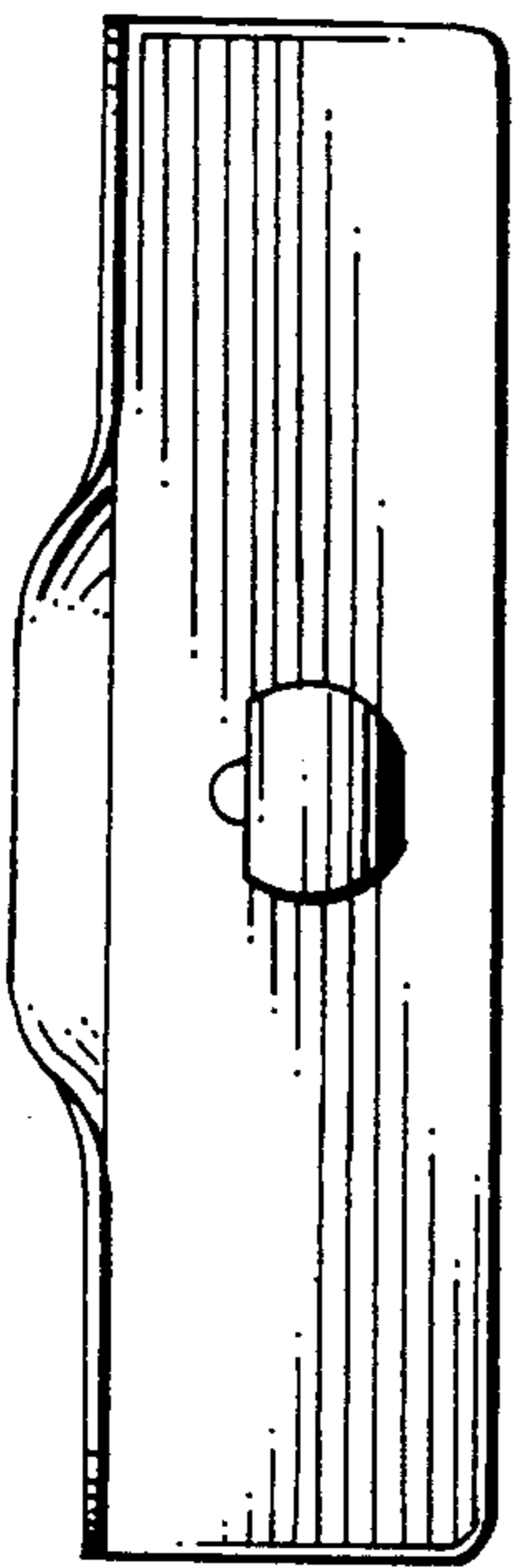


FIG. 3

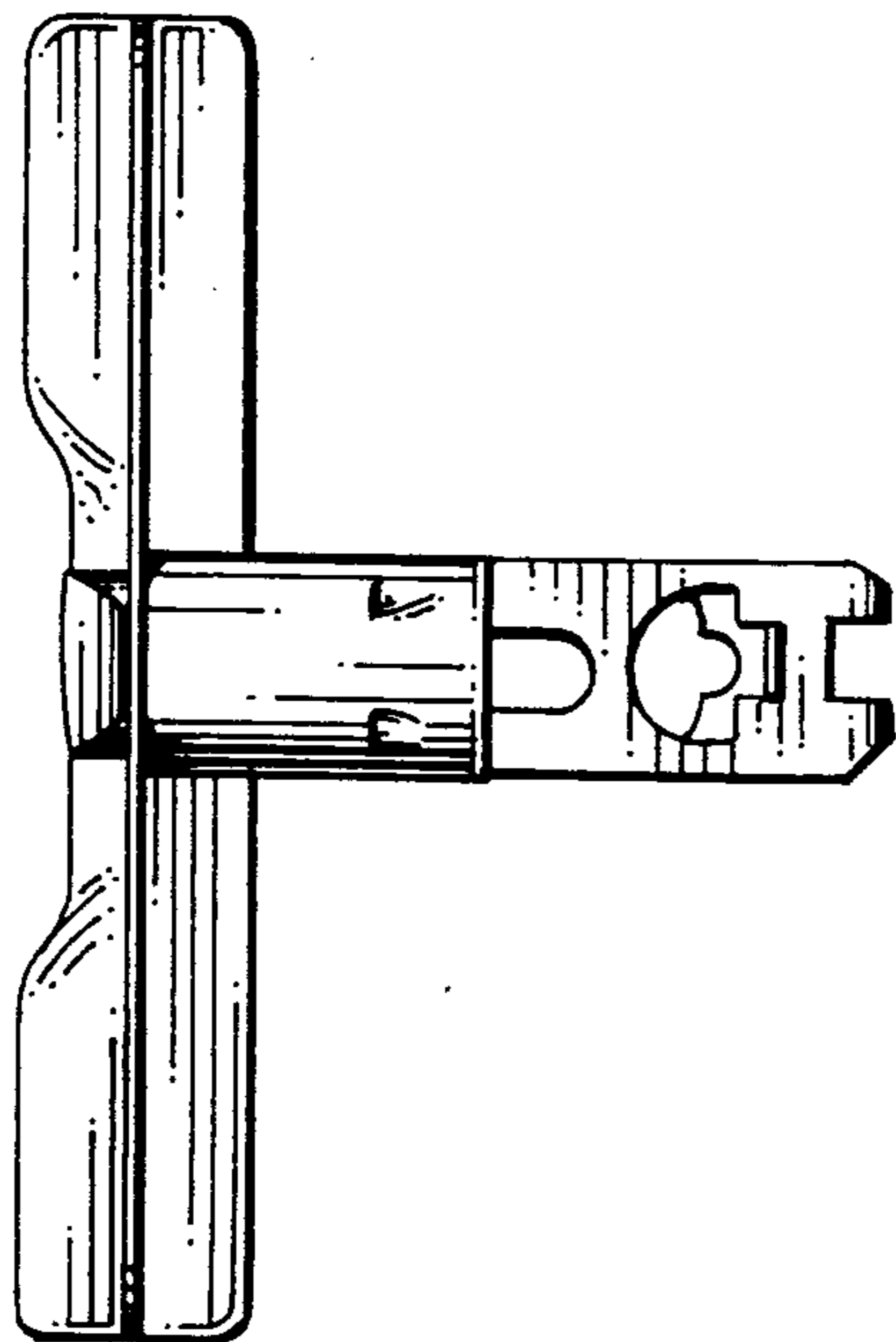


FIG. 4

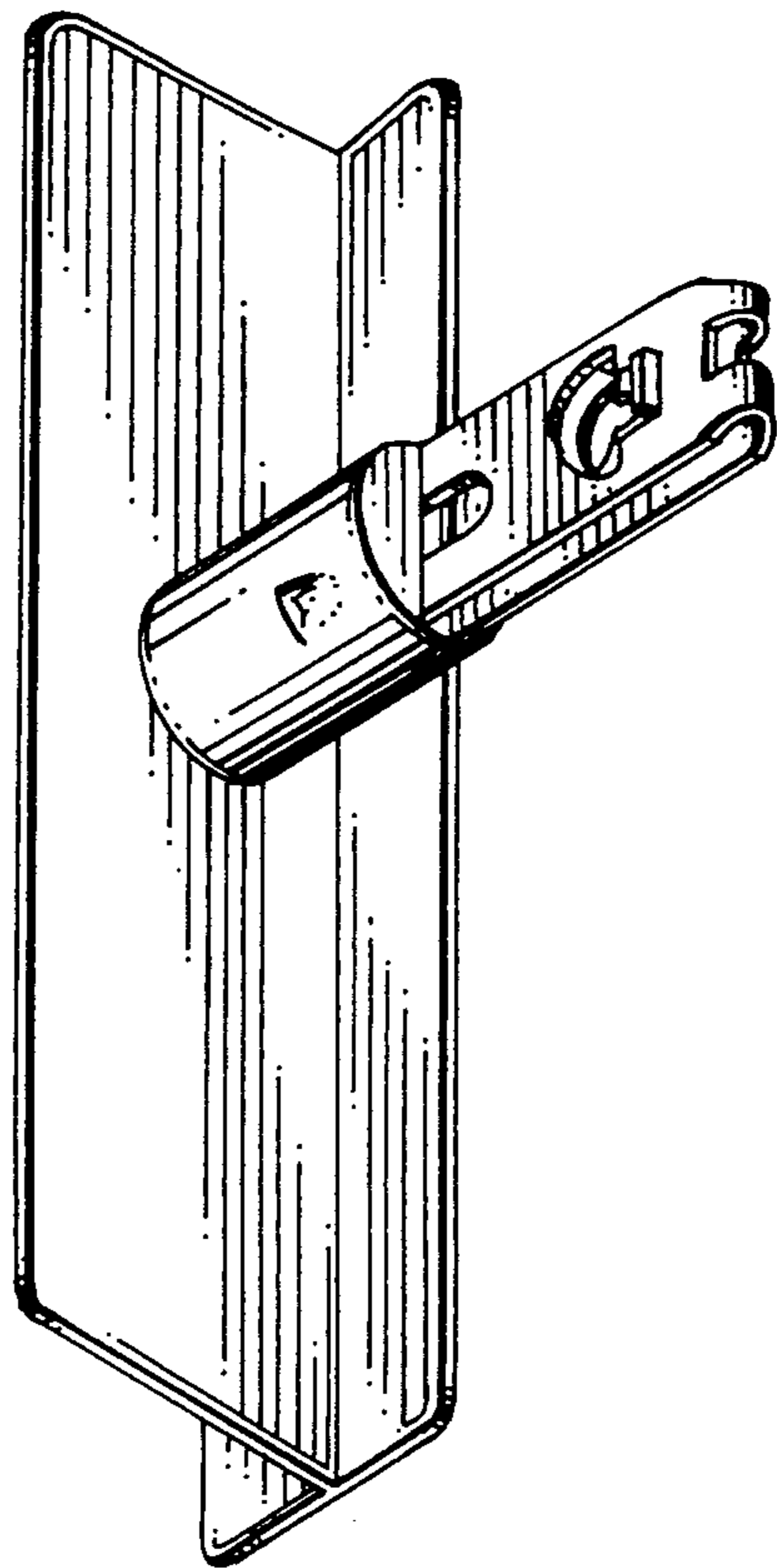


FIG. 2