

[54] DRILL CHUCK

[75] Inventor: George C. Derbyshire, Sheffield, England

[73] Assignee: The Jacobs Manufacturing Co., Ltd., Sheffield, England

[**] Term: 14 Years

[21] Appl. No.: 934,524

[22] Filed: Aug. 17, 1978

[30] Foreign Application Priority Data

May 26, 1978 [GB] United Kingdom 984831/78

[51] Int. Cl. D8-01

[52] U.S. Cl. D8/68

[58] Field of Search D8/68; 279/62, 60, 61, 279/63, 64, 65

[56]

References Cited

U.S. PATENT DOCUMENTS

D. 76,379	9/1928	Connell	D8/68
1,940,405	12/1933	Englund	279/61
2,075,031	3/1937	Emrick	279/63

Primary Examiner—W. Stallard

Attorney, Agent, or Firm—Stephen J. Rudy

[57]

CLAIM

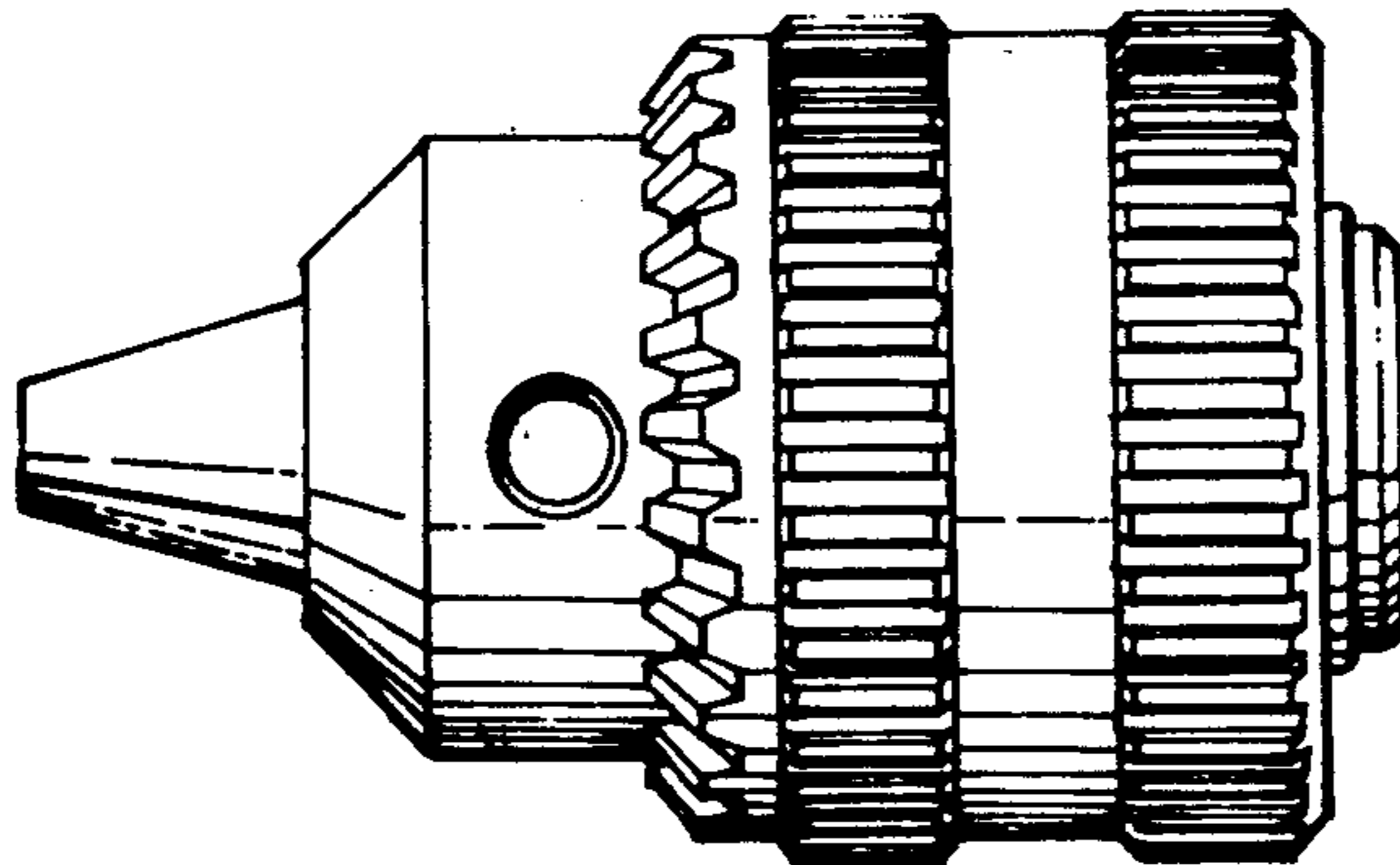
The ornamental design for a drill chuck, substantially as shown and described.

DESCRIPTION

FIG. 1 is a side elevation view of a drill chuck embodying my new design; a view from the opposite side would be substantially the same;

FIG. 2 is a rear elevation view thereof; and

FIG. 3 is a front elevation view thereof.



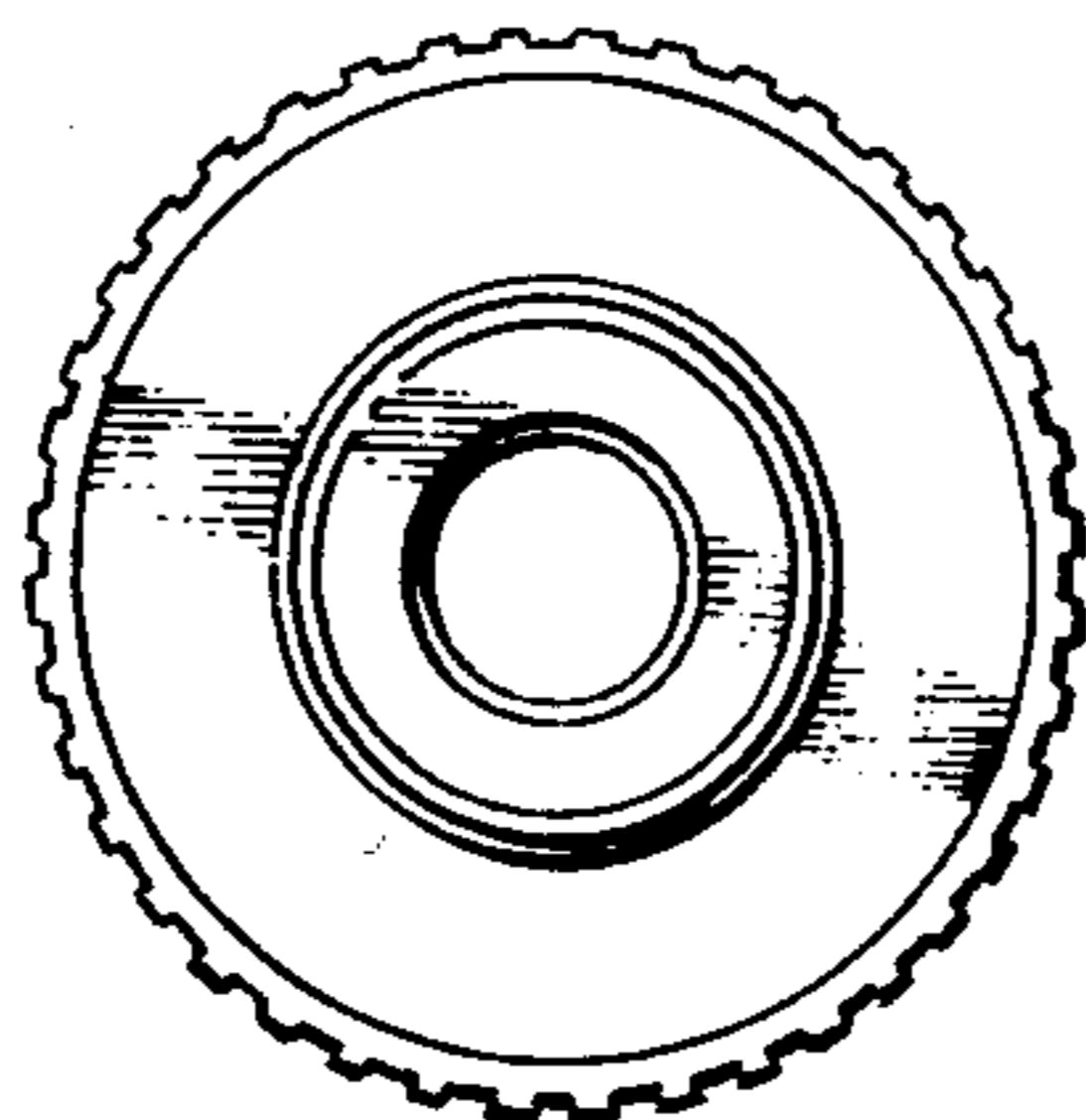


FIG. 2

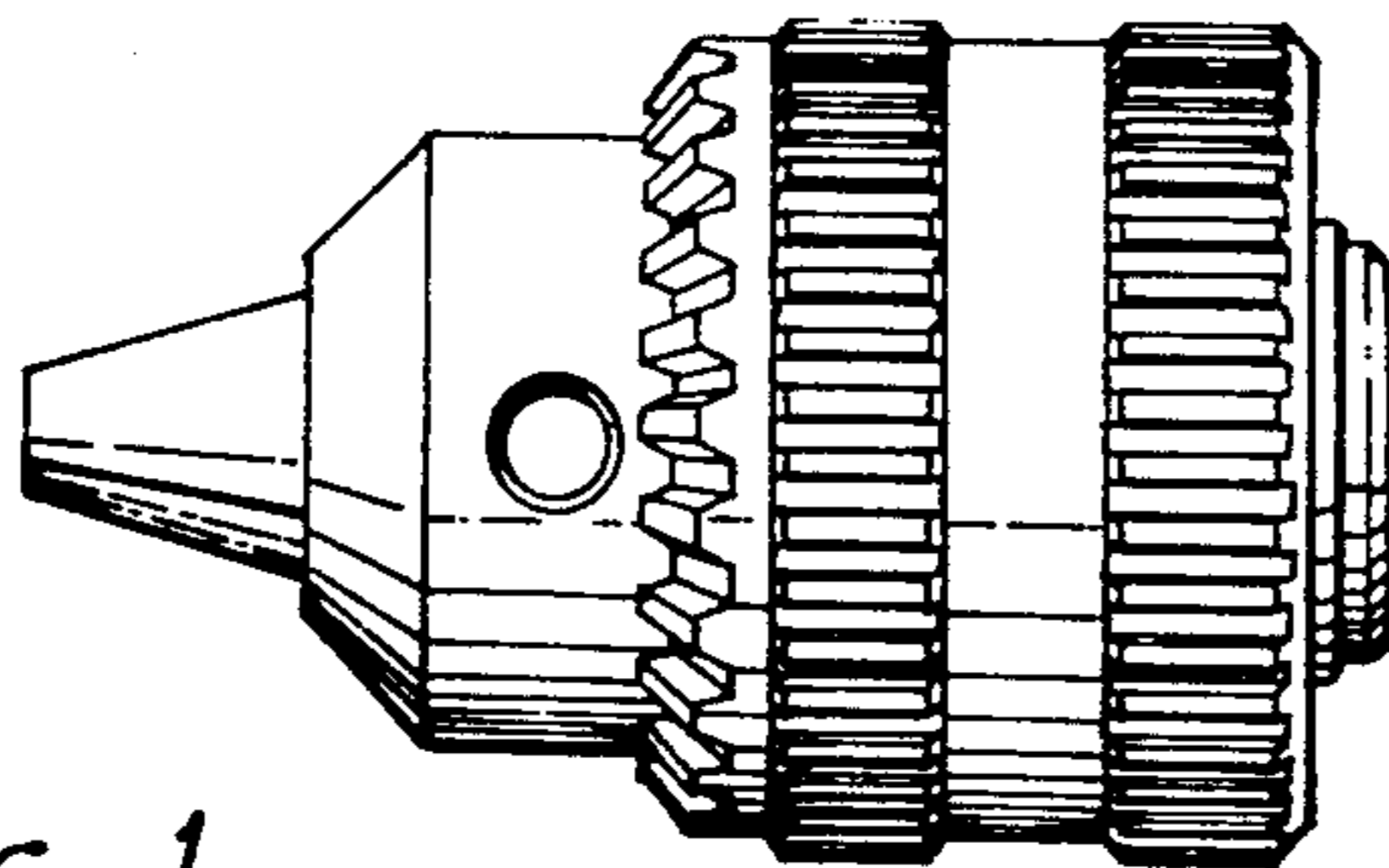


FIG. 1

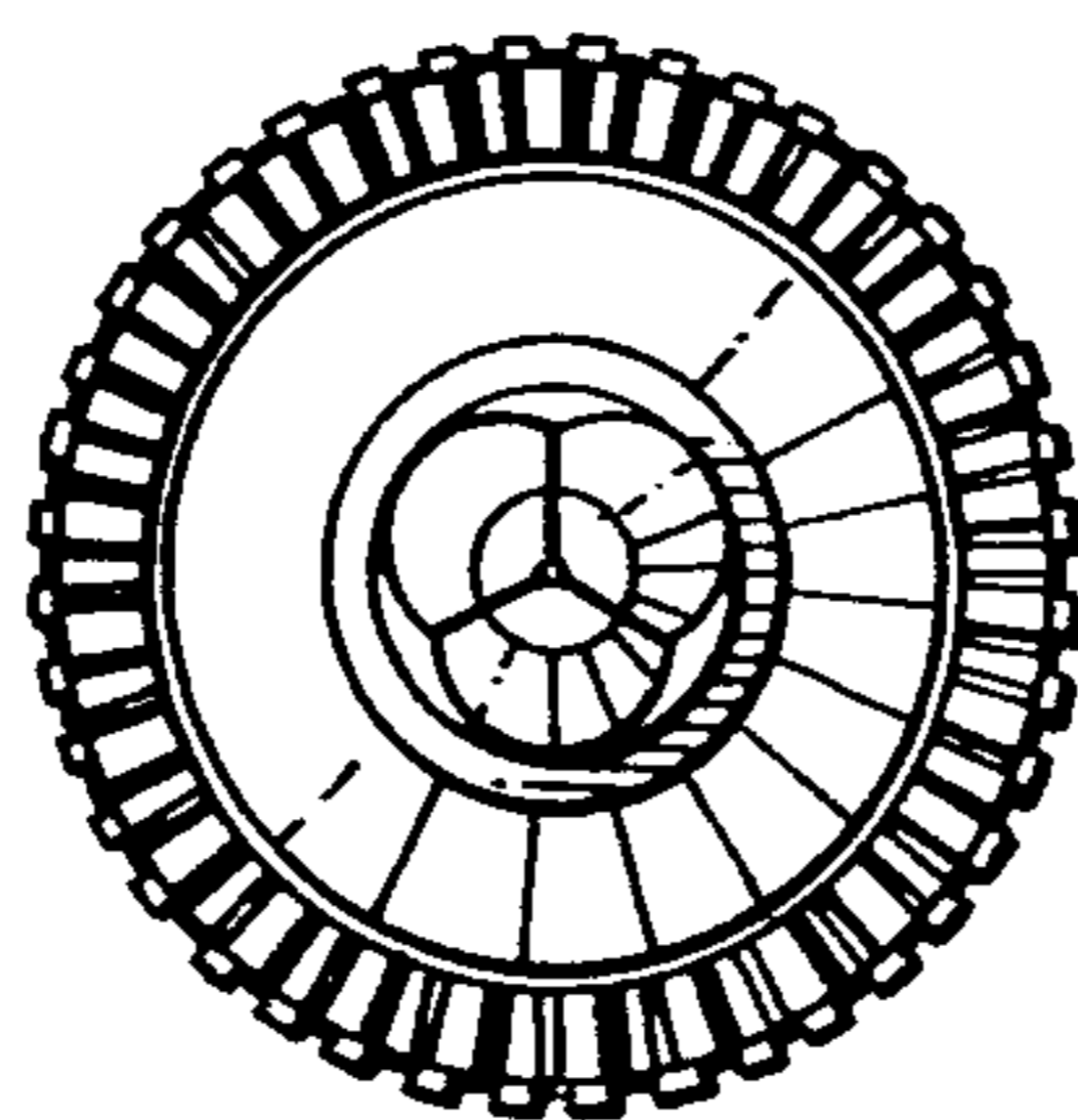


FIG. 3