

[54] FLAME SPRAYING TORCH

[75] Inventors: Daniel Audemars, Echanchens;  
Wolfgang Simm, Lausanne;  
Hans-Theo Steine, Crissier, all of  
Switzerland

[73] Assignee: Castolin S.A., Vaud, Switzerland

[\*\*] Term: 14 Years

[21] Appl. No.: 926,219

[22] Filed: Jul. 19, 1978

[51] Int. Cl. .... D8-05

[52] U.S. Cl. .... D8/30; D8/68

[58] Field of Search ..... D8/30, 68; D23/17, 18;  
266/48, 66, 74, 75; 148/9, 9.5; 239/526

[56] References Cited

U.S. PATENT DOCUMENTS

D. 159,162 6/1950 Pavey et al. .... D23/17  
2,448,159 8/1948 Spreng ..... 239/526

Primary Examiner—W. Stallard  
Attorney, Agent, or Firm—Hopgood, Calimafde, Kalil,  
Blaustein & Judlowe

[57] CLAIM

The ornamental design for a flame spraying torch, sub-  
stantially as shown in the drawing.

DESCRIPTION

FIG. 1 is a side view from the left hand side of a flame  
spraying torch showing our new design;  
FIG. 2 is a side view from the right hand side thereof;  
FIG. 3 is a view from above of the said torch;  
FIG. 4 is a view from below of the said torch;  
FIG. 5 is a front view thereof;  
FIG. 6 is a rear view thereof.

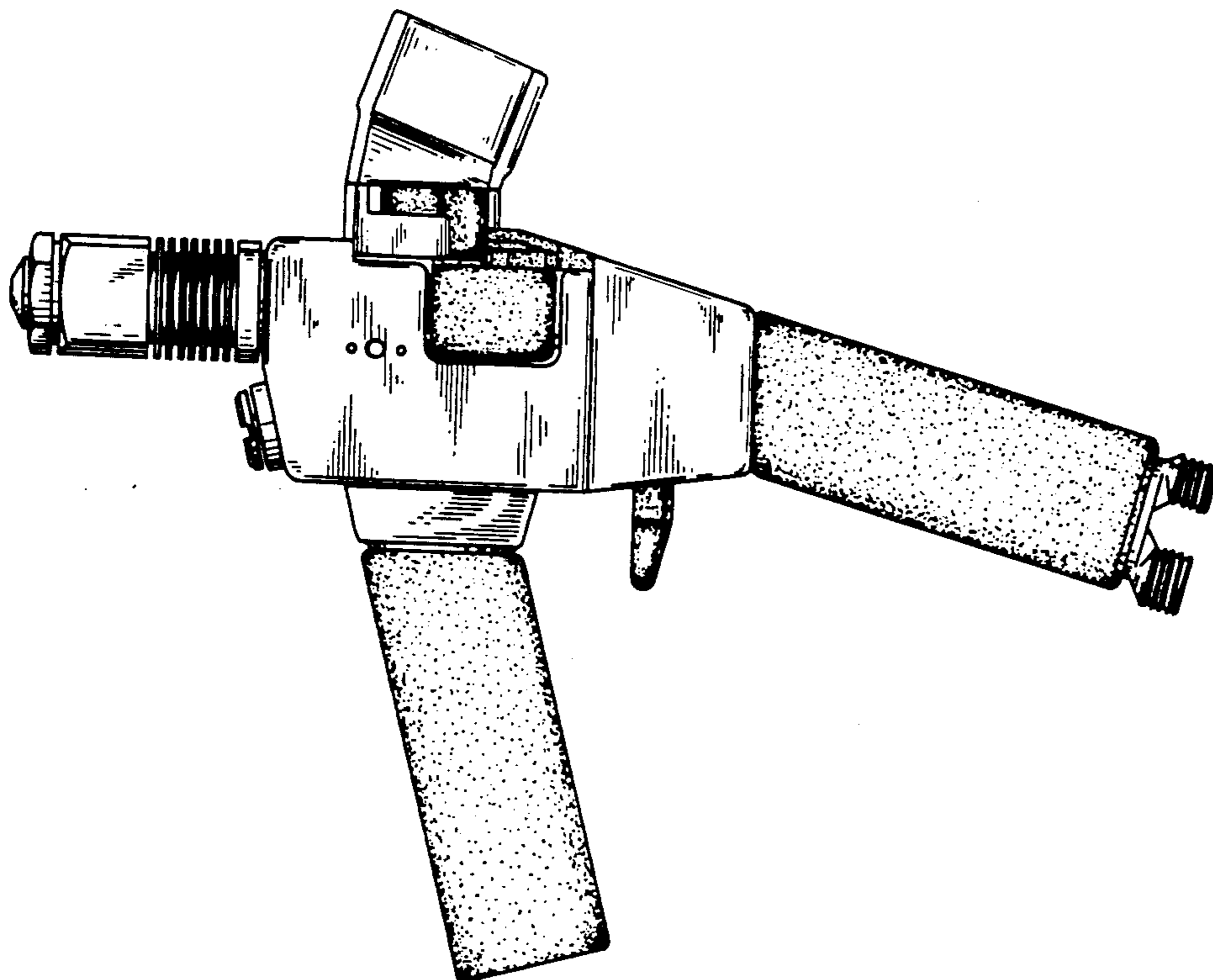


FIG. 1

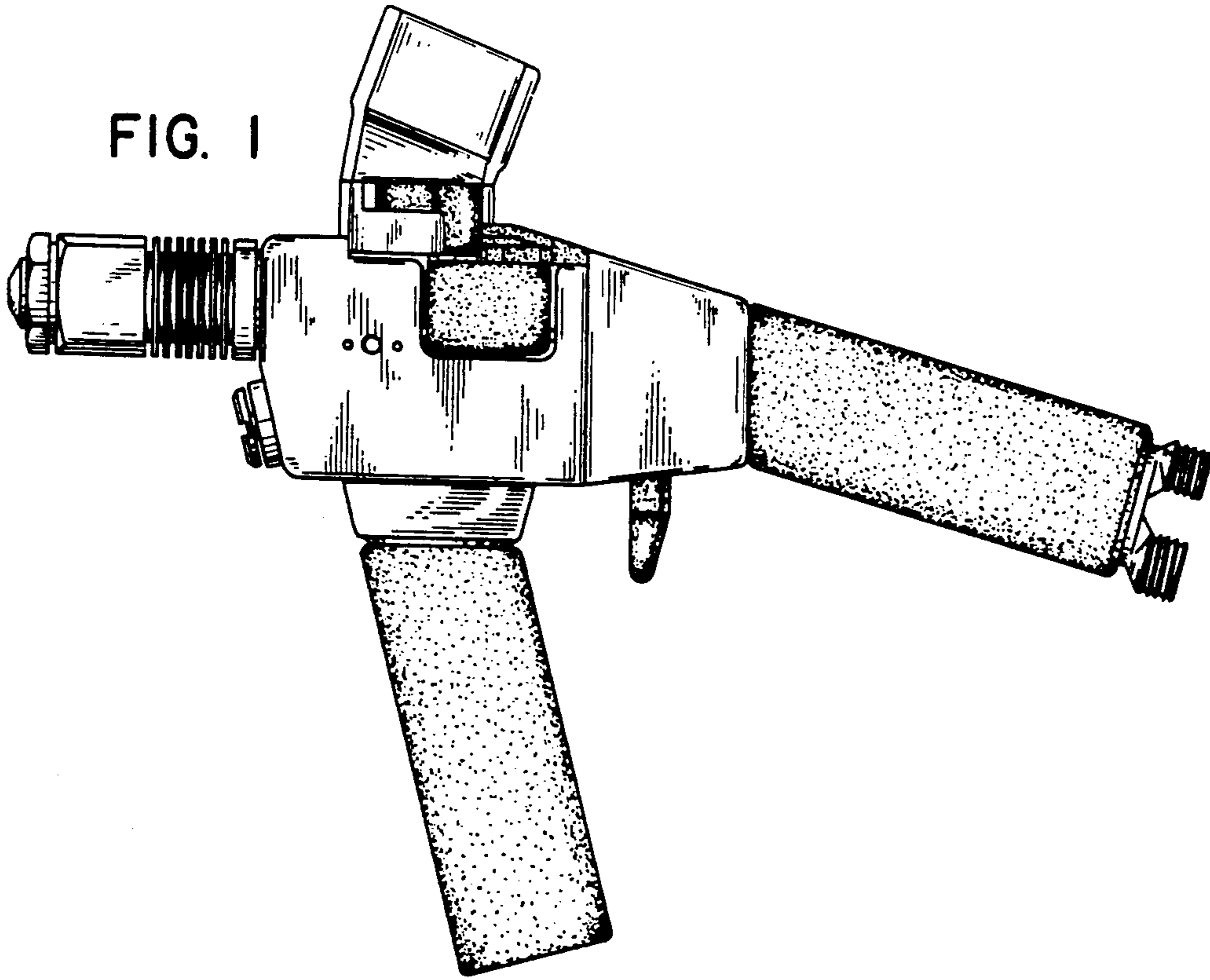


FIG. 2

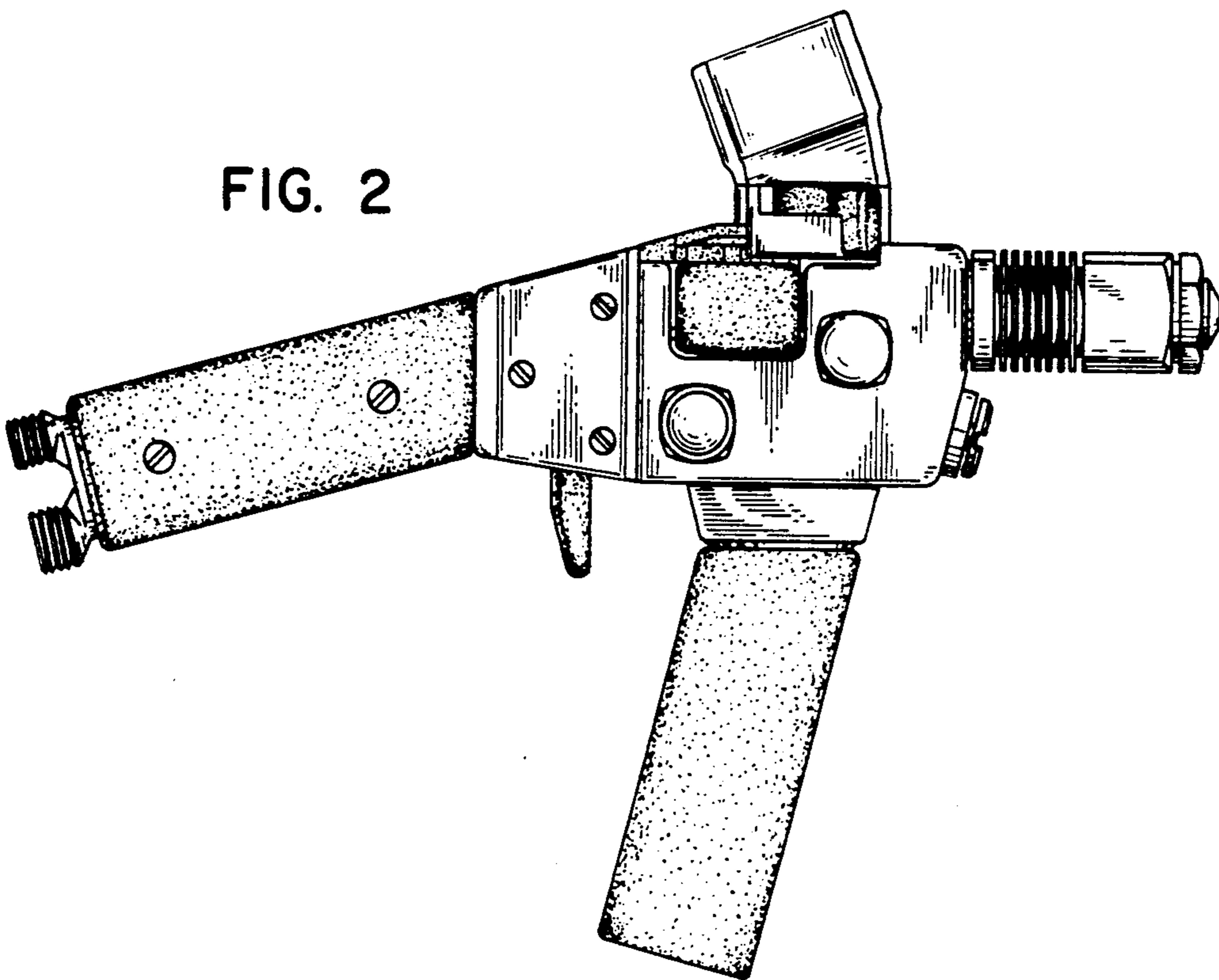


FIG. 3

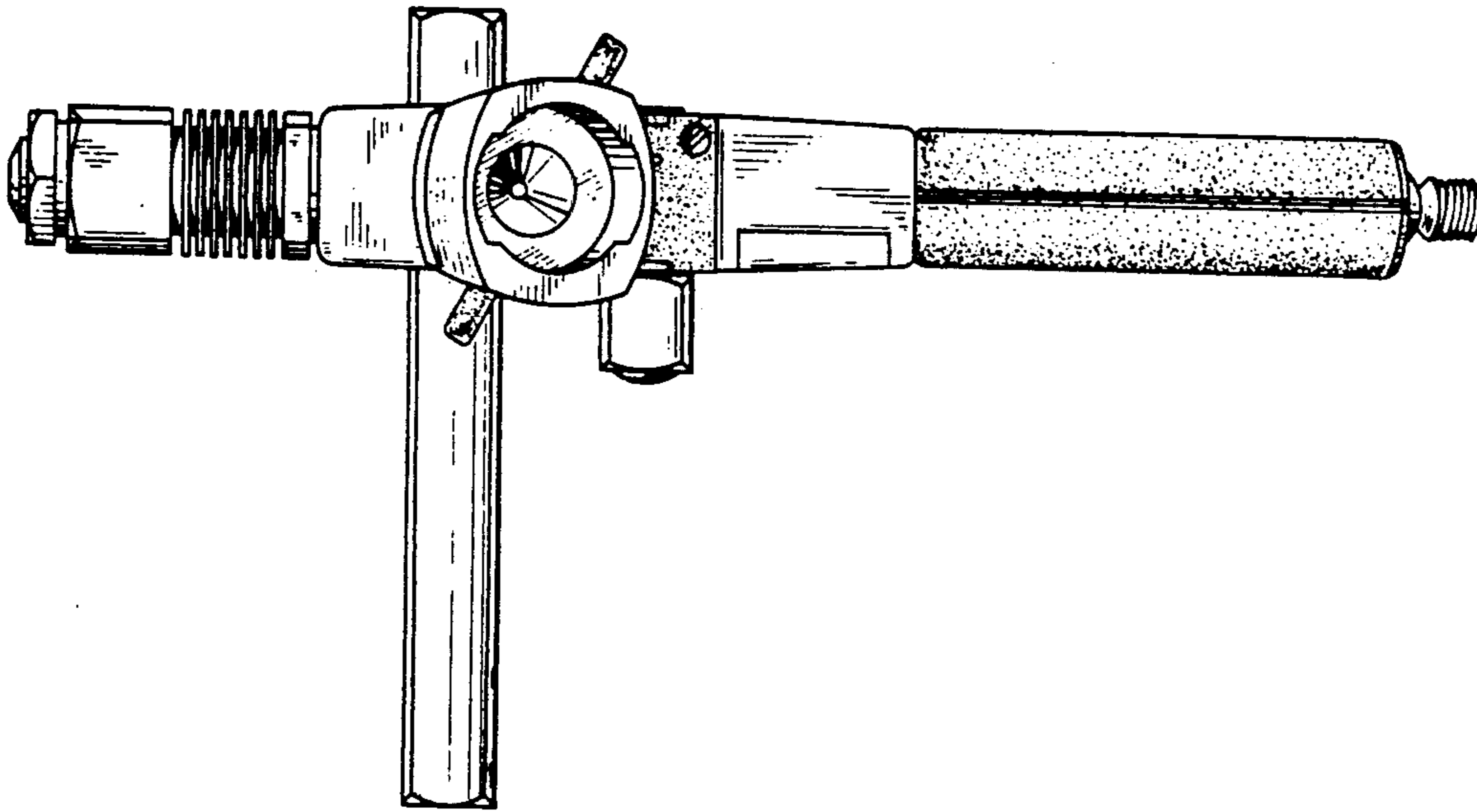


FIG. 4

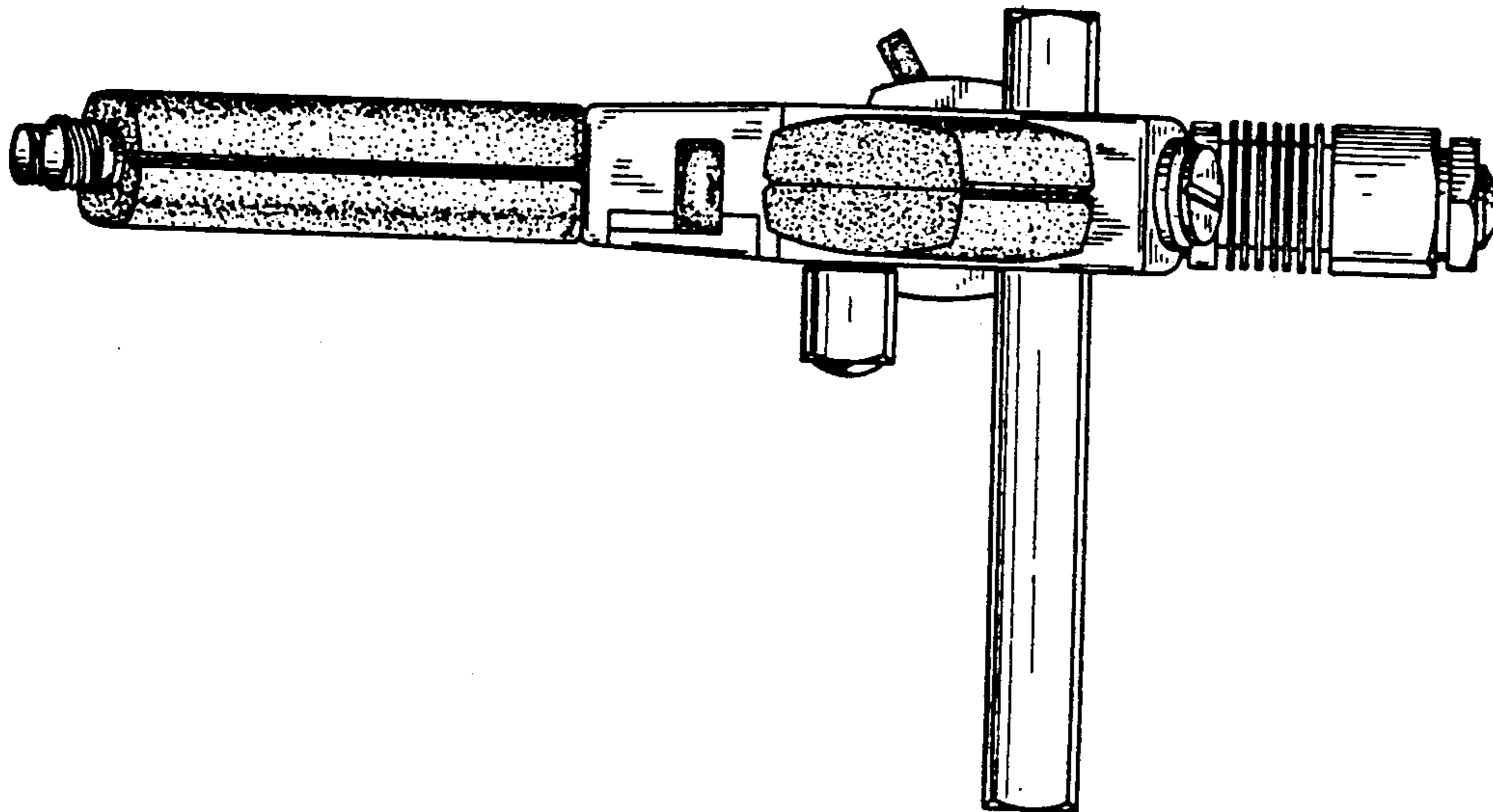


FIG. 5

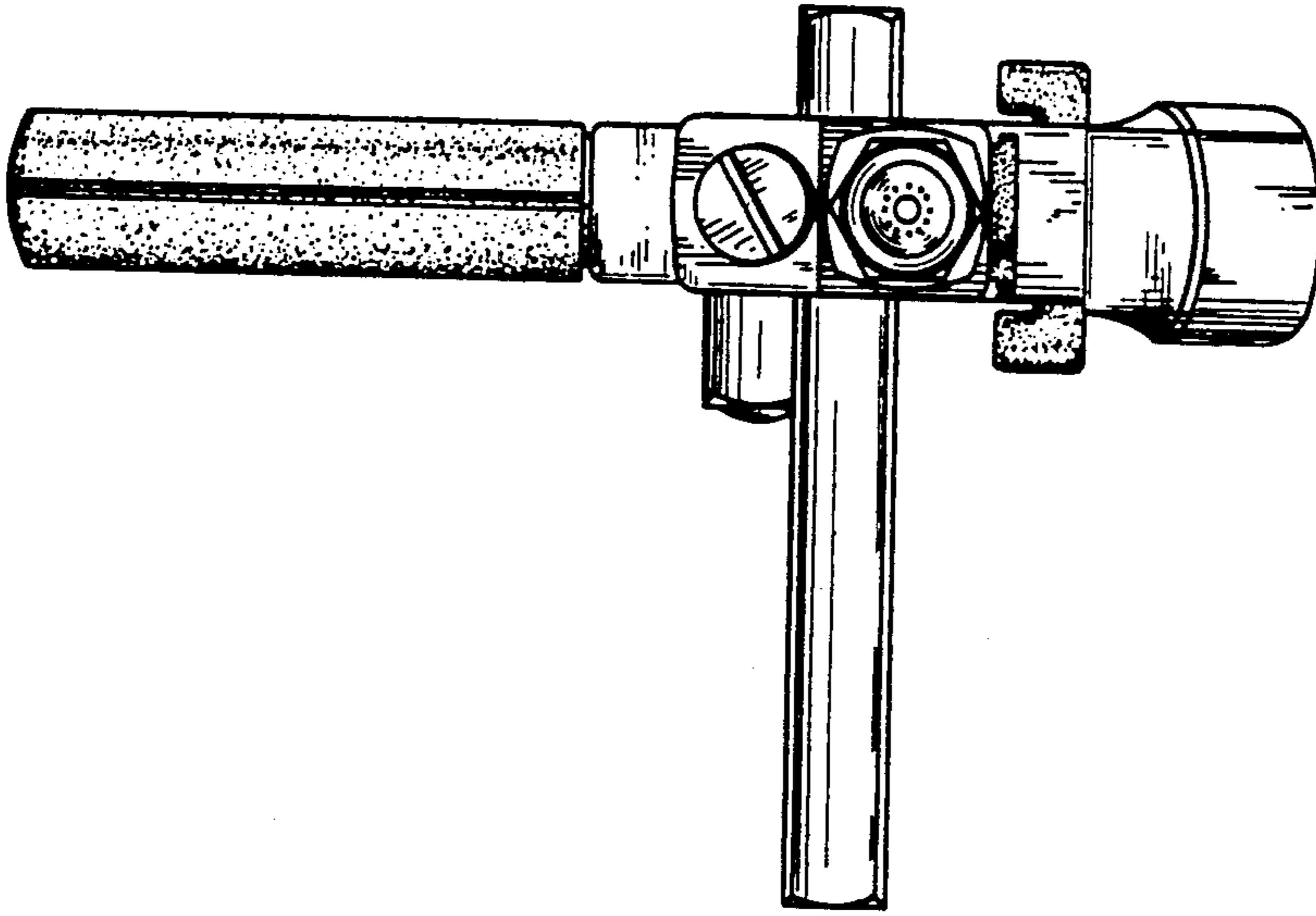


FIG. 6

