

[54] ANDIRON

2,446,894 8/1948 Waggoner ..... 126/298 X  
4,161,168 7/1979 Cagle ..... 126/164

[76] Inventor: Richard B. Estes, 20 Sandra La.,  
Athens, Ala. 35611

Primary Examiner—Catherine E. Kemper  
Attorney, Agent, or Firm—C. A. Phillips

[\*\*] Term: 14 Years

[57] CLAIM

[21] Appl. No.: 897,657

The ornamental design for an andiron, substantially as shown and described.

[22] Filed: Apr. 18, 1978

[51] Int. Cl. .... D7-08

[52] U.S. Cl. .... D7/211

[58] Field of Search ..... D7/206, 207, 211;  
D23/94, 95, 96, 97, 135; 126/120, 121, 163, 164,  
165, 298

DESCRIPTION

FIG. 1 is a top perspective view of an andiron showing my new design, shown partially in section for clarity of disclosure.

FIG. 2 is a top plan view thereof.

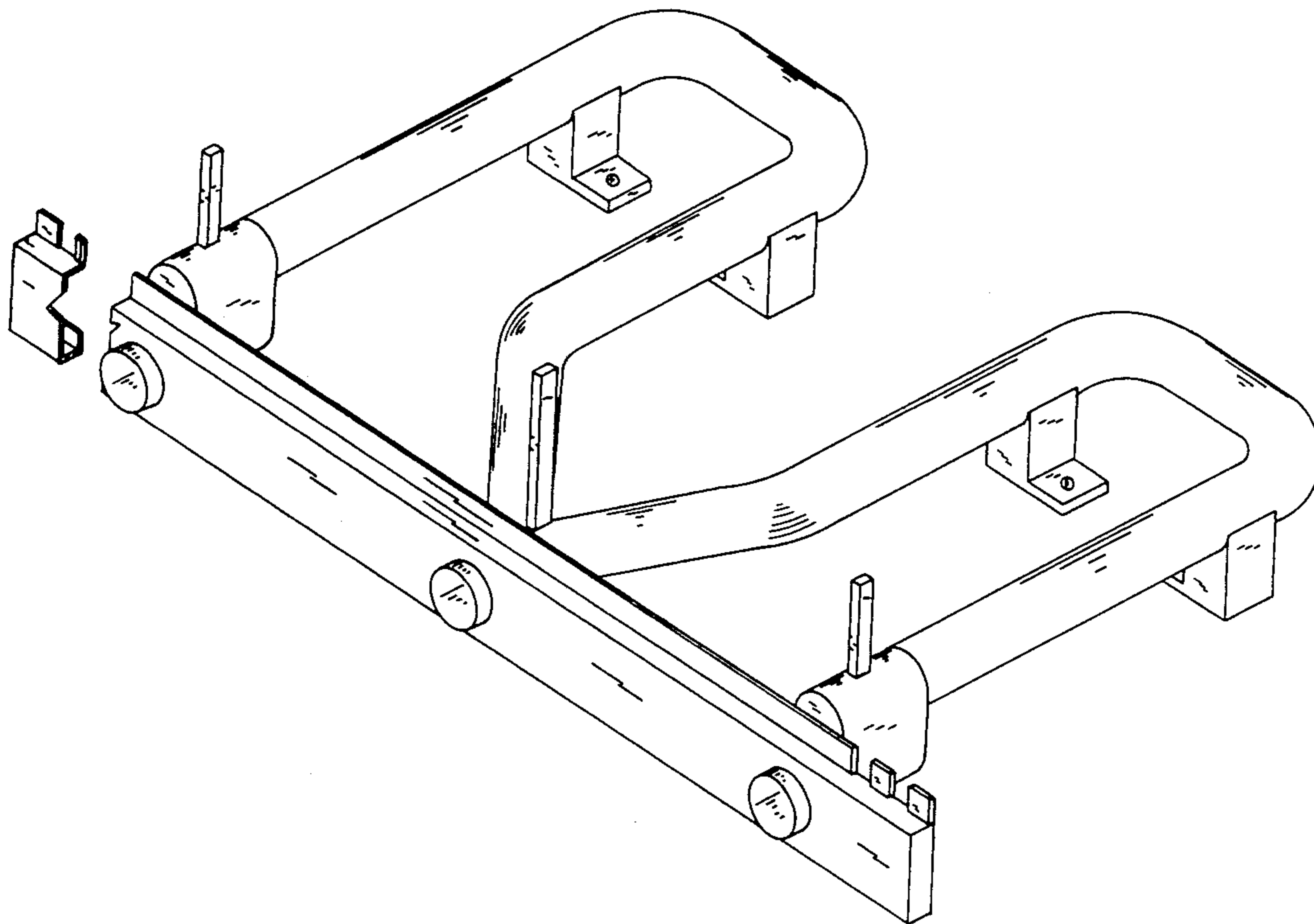
FIG. 3 is a rear elevational view thereof, with one of the support legs shown fragmentarily for completeness of disclosure.

FIG. 4 is a side elevational view, the opposite side being a mirror image thereof.

[56] References Cited

U.S. PATENT DOCUMENTS

2,161,194 6/1939 Plym ..... 126/298



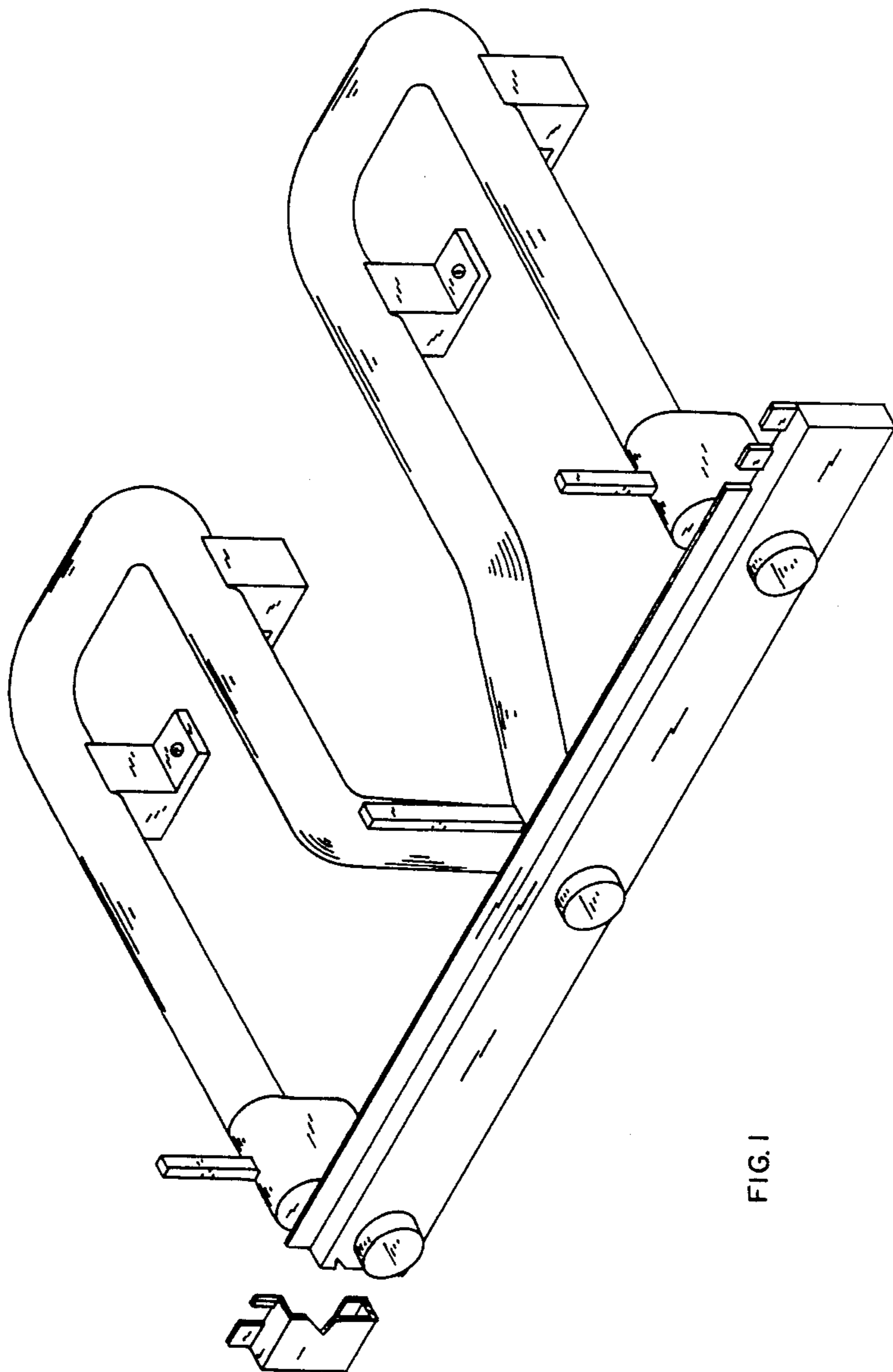


FIG. 1

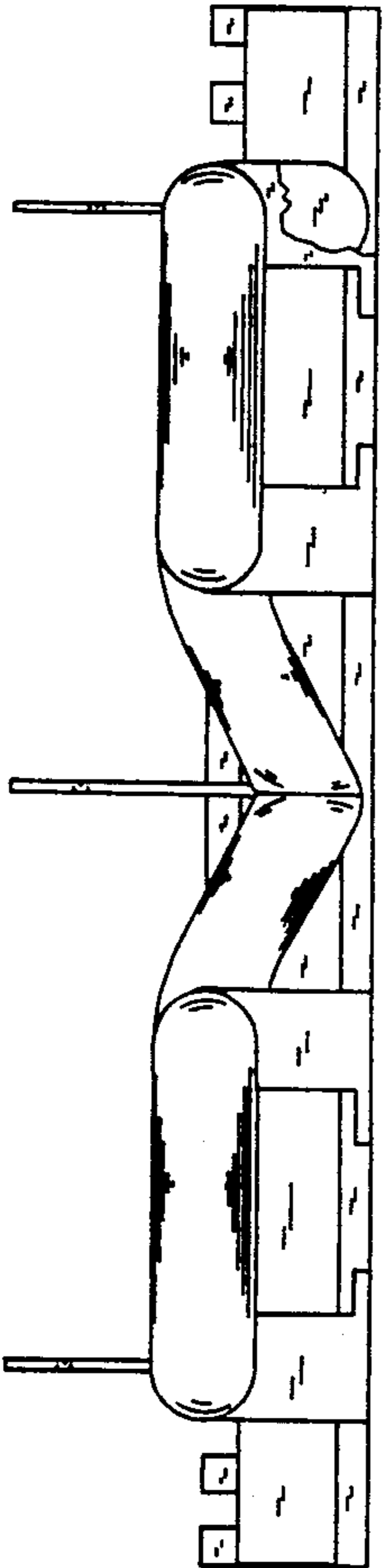


FIG. 3

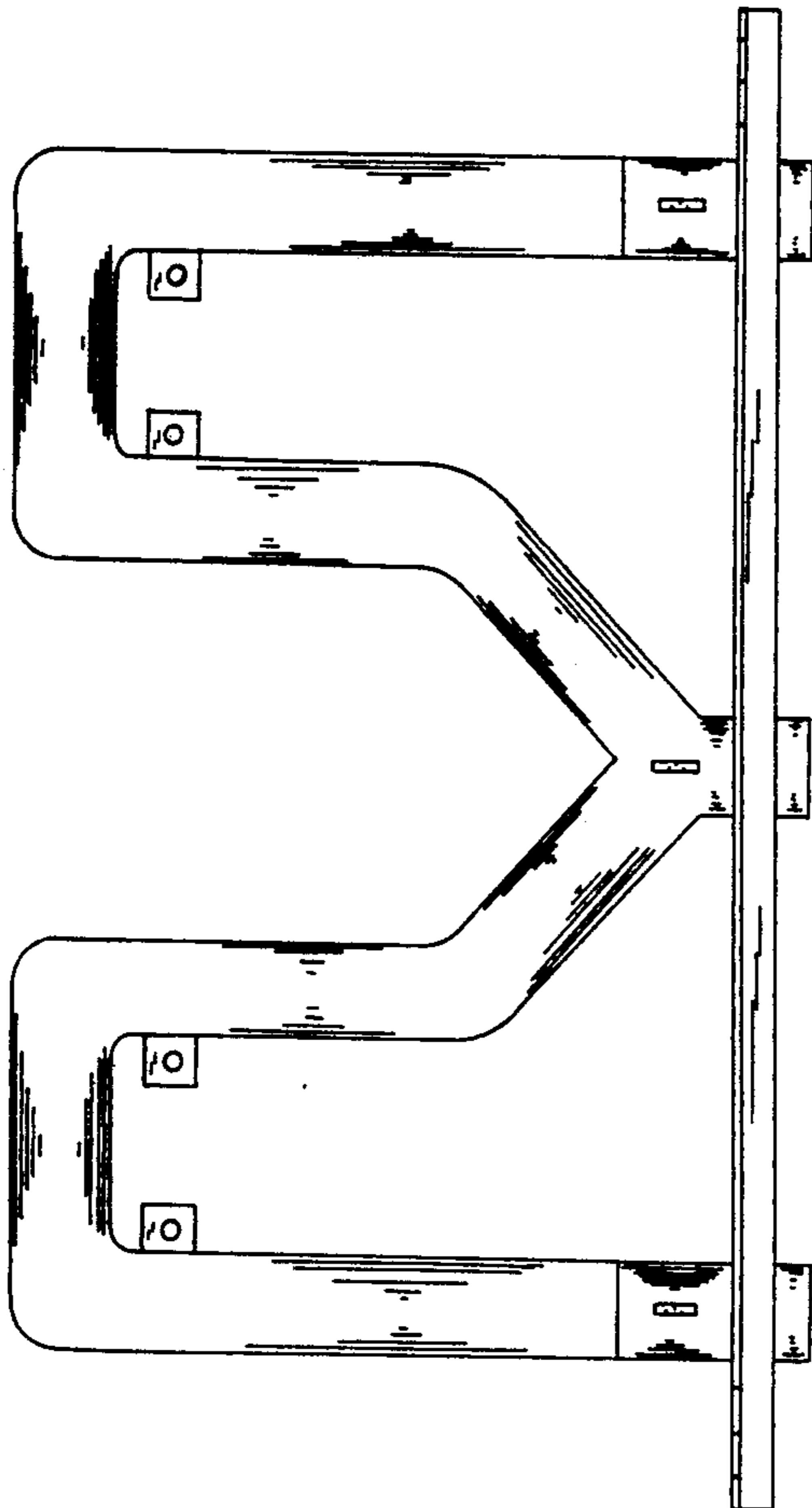


FIG. 2

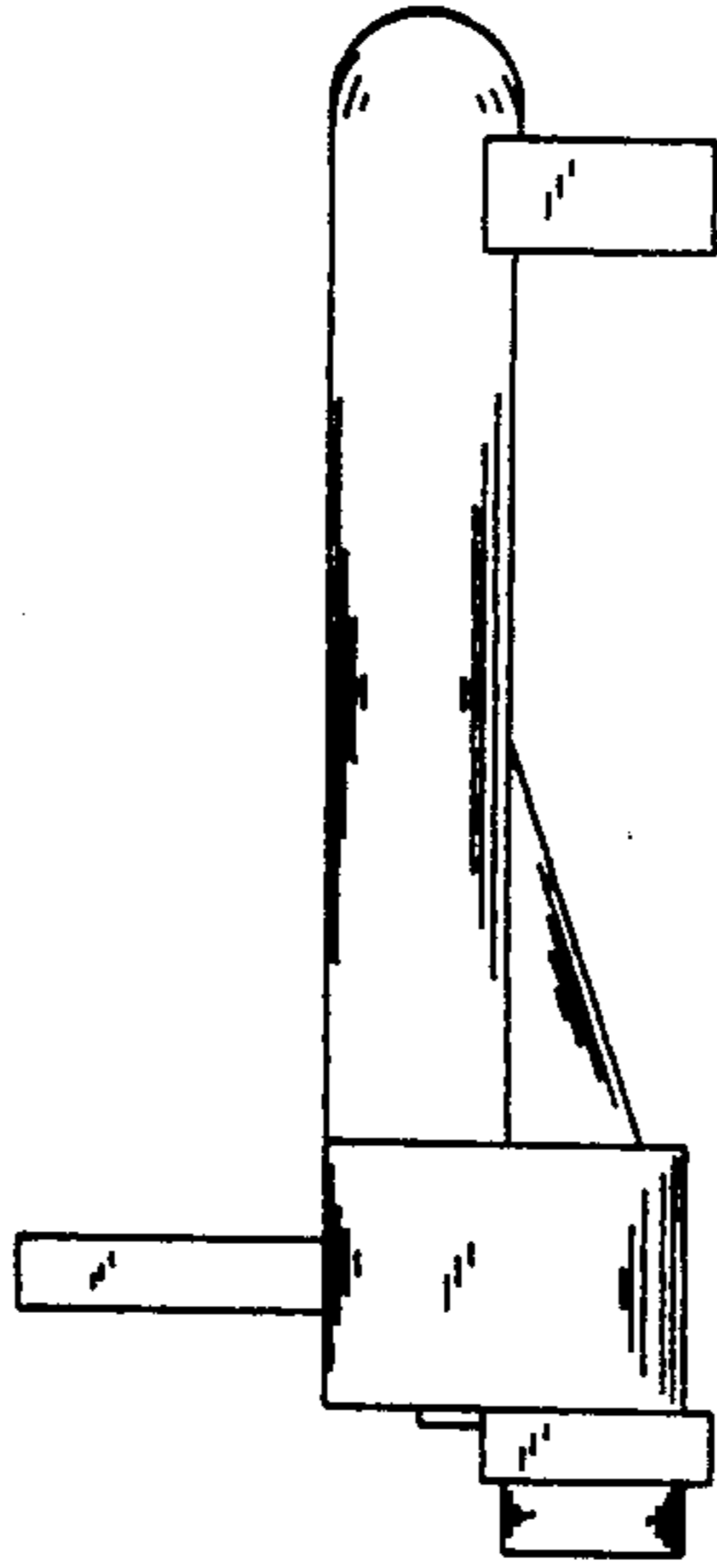


FIG. 4