

[54] FLATWARE RACK

[75] Inventor: Robert L. Hamby, Dodge City, Kans.

[73] Assignees: Leo L. Carrick; Della Carrick, both of Fort Collins, Colo.

[**] Term: 14 Years

[21] Appl. No.: 24,328

[22] Filed: Mar. 27, 1979

[51] Int. Cl. D07-06

[52] U.S. Cl. D7/74; D3/75; D6/157; D6/171; D6/173

[58] Field of Search D7/41, 73, 74; 248/37.6, 37.3; 312/245, 283, 227; 211/60 T; D6/94, 127, 171, 173, 157, 159; D3/75

[56] References Cited

U.S. PATENT DOCUMENTS

- D. 28,898 6/1898 Keith D6/171
- D. 93,636 10/1934 Sawin D6/173

- D. 250,440 12/1978 Millspaugh D6/127 X
- 646,012 3/1900 Strow 248/37.6 X
- 1,635,911 7/1927 Vegkley D7/74 X
- 2,215,923 9/1940 Goodwin D6/125 X
- 3,677,400 7/1972 Spier 248/37.3 X

Primary Examiner—Winifred E. Herrmann
Attorney, Agent, or Firm—Harvey B. Jacobson

[57] CLAIM

The ornamental design for a flatware rack, as shown and described.

DESCRIPTION

FIG. 1 is a perspective view of a flatware rack showing my new design;
 FIG. 2 is a front elevational view thereof, the rear being a mirror image thereto;
 FIG. 3 is an elevational view thereof, the other end being a mirror image thereto; and
 FIG. 4 is a top plan view thereof.
 The bottom surface (not shown) of the flatware rack is substantially plain and unornamented.

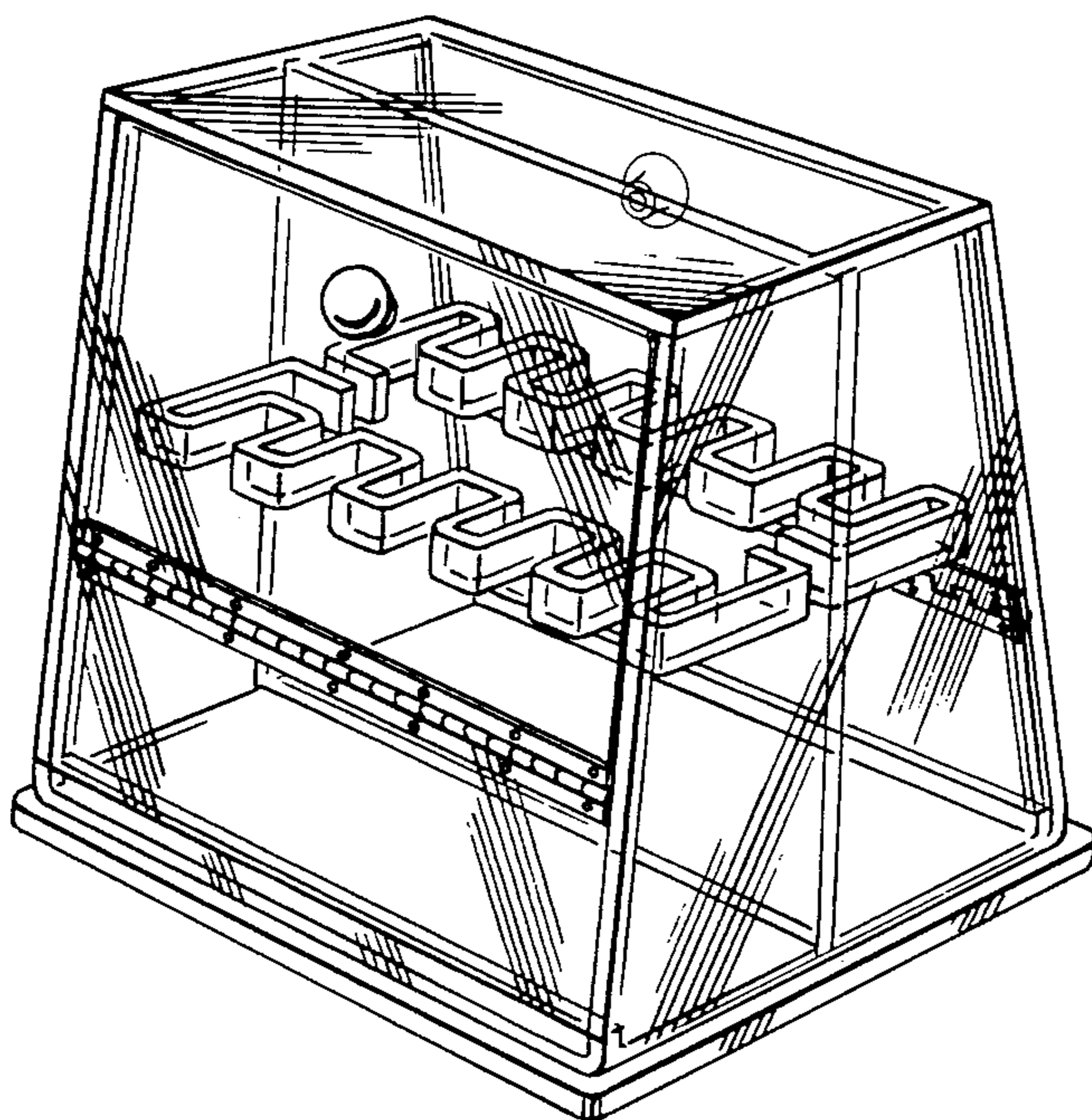


Fig. 1

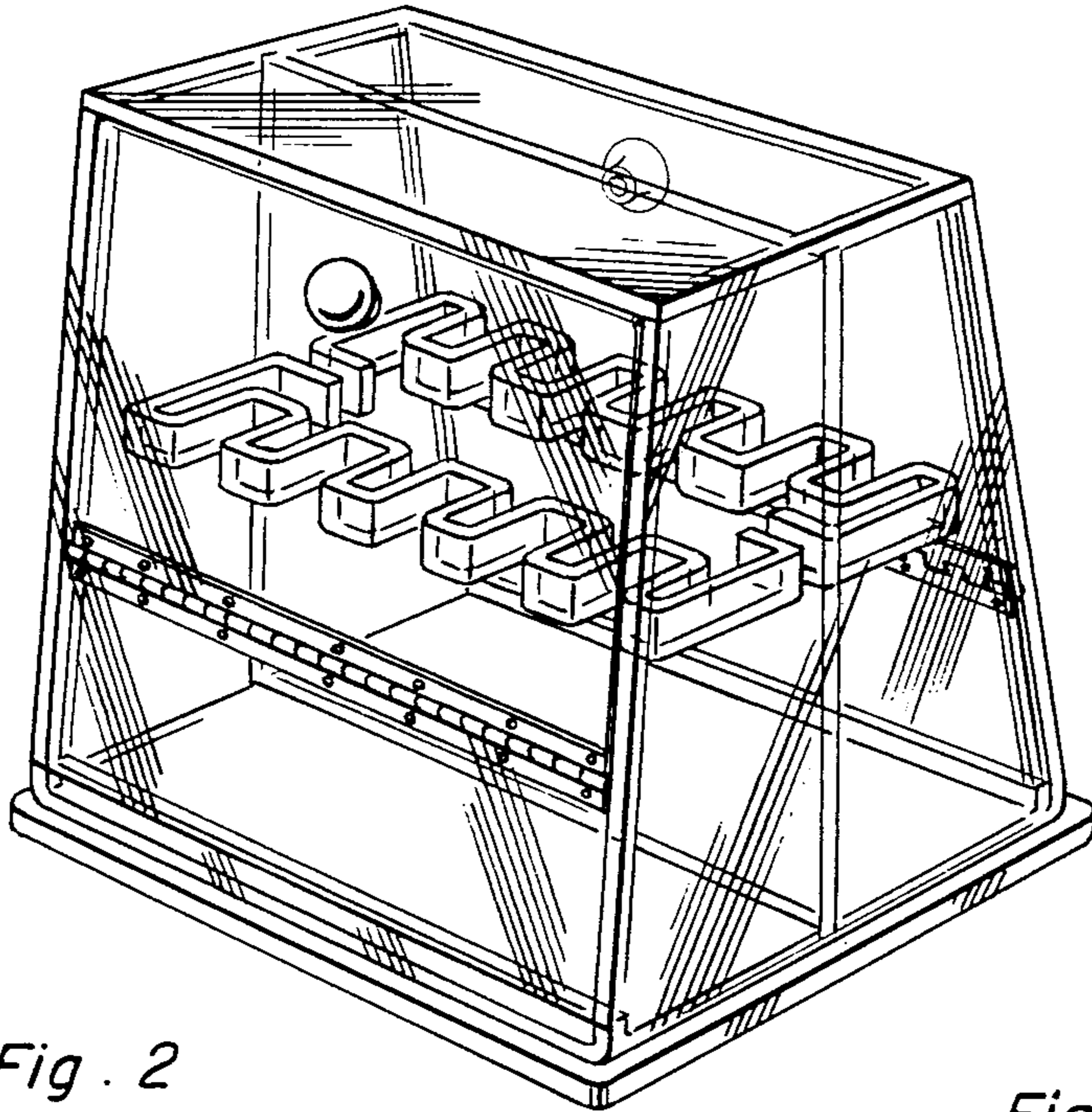


Fig. 2

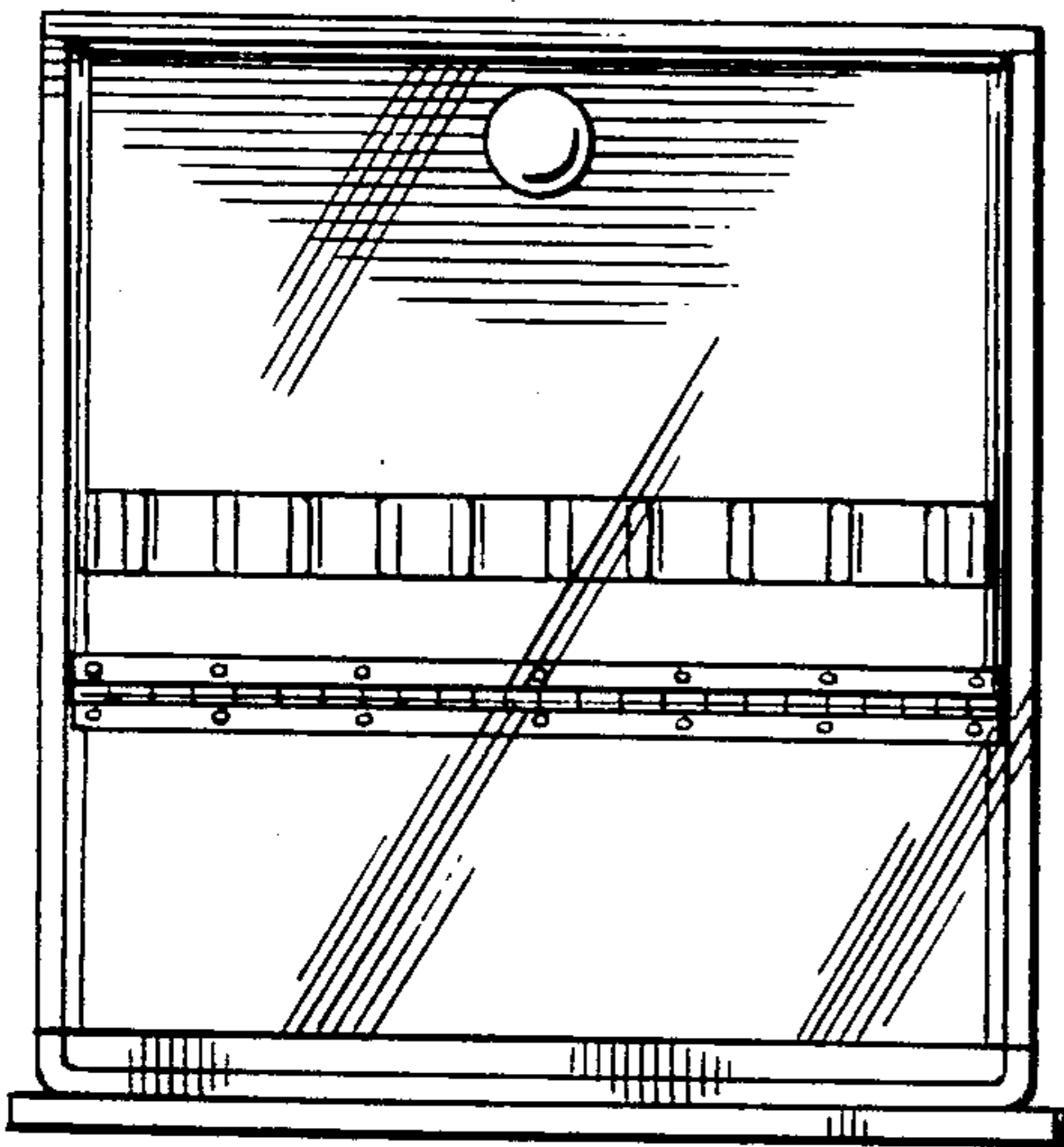


Fig. 3

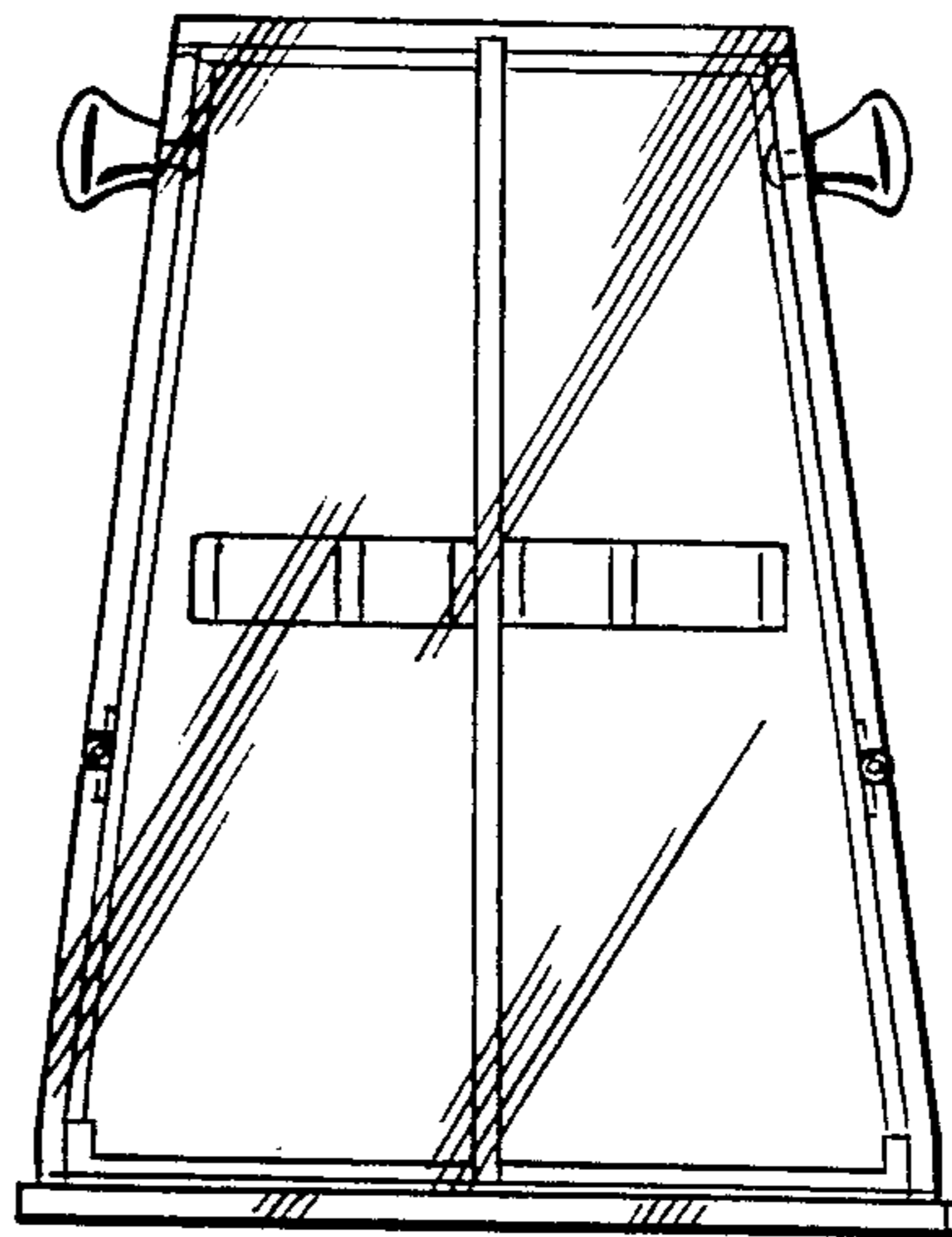


Fig. 4

