

[54] FOG LIGHT

[75] Inventor: Hisao Yabata, Takasaki, Japan

[73] Assignee: Ichikawa Press Industries Co., Ltd., Takasaki, Japan

[**] Term: 14 Years

[21] Appl. No.: 27,599

[22] Filed: Apr. 5, 1979

[30] Foreign Application Priority Data

Feb. 16, 1979 [JP] Japan 54-5567

[51] Int. Cl. D26-06

[52] U.S. Cl. D26/28

[58] Field of Search D26/28, 29, 31, 34, D26/35, 36; 362/61, 64, 235, 257, 268, 269, 362, 374, 375

[56] References Cited

U.S. PATENT DOCUMENTS

D. 229,774 1/1974 Cibie D26/29
D. 237,648 11/1975 Cibie D26/28

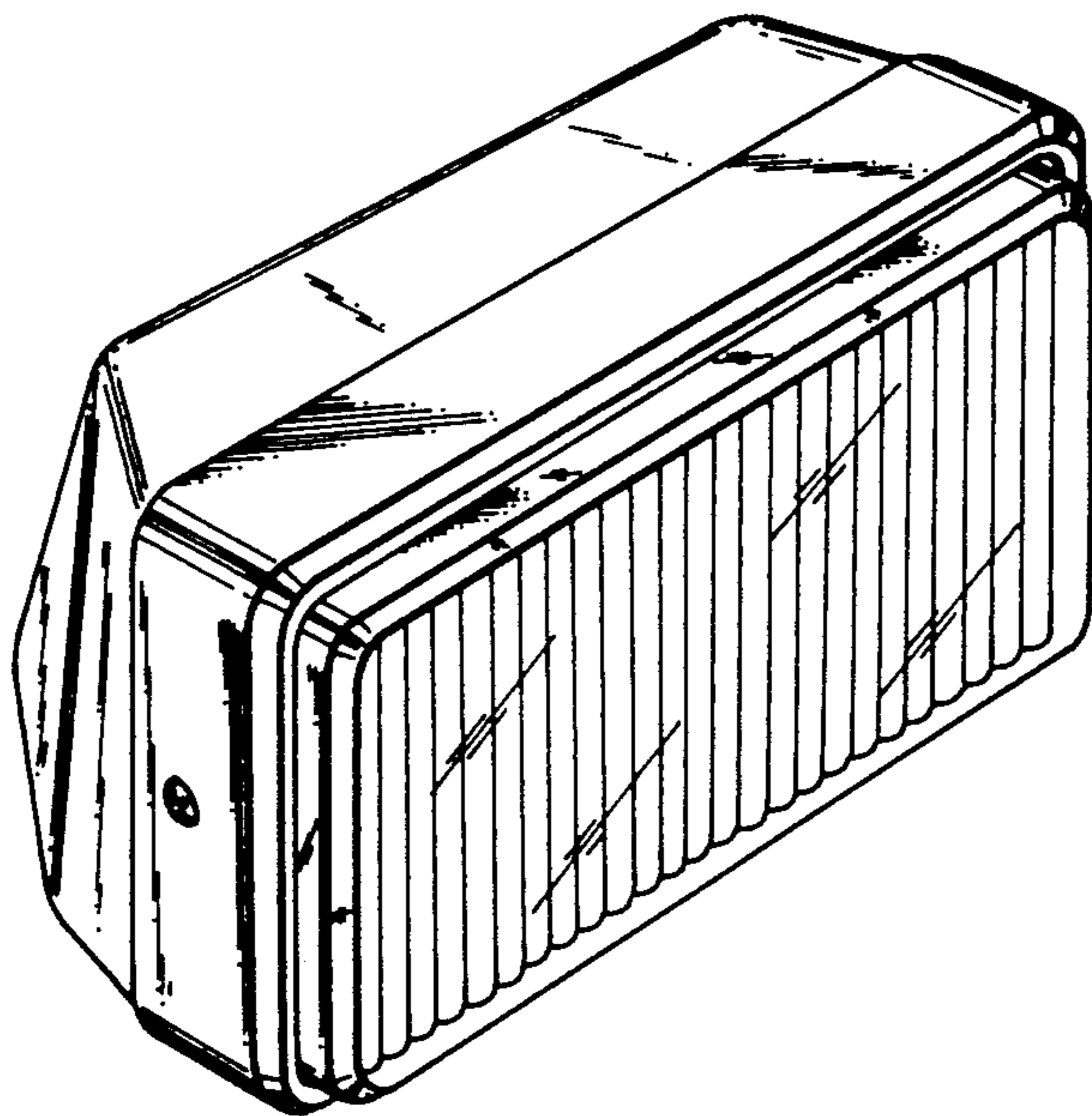
Primary Examiner—Susan J. Lucas
Attorney, Agent, or Firm—Blanchard, Flynn, Thiel, Boutell & Tanis

[57] CLAIM

The ornamental design for a fog light, as shown and described.

DESCRIPTION

FIG. 1 is a front perspective view of a fog light showing my new design;
FIG. 2 is a rear perspective view thereof;
FIG. 3 is a side elevational view thereof, the opposite side view being identical thereto.



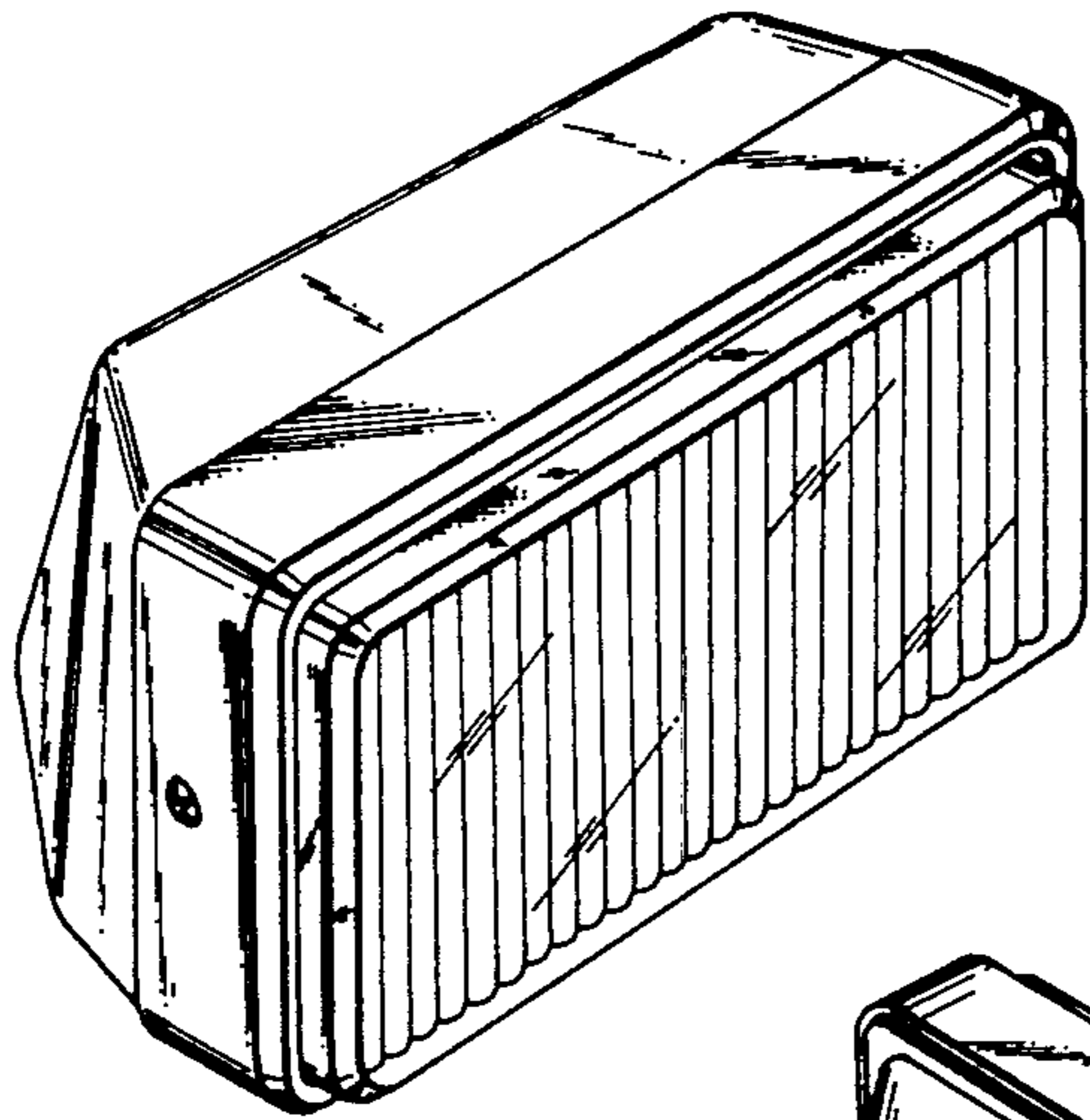


FIG. 1

FIG. 2

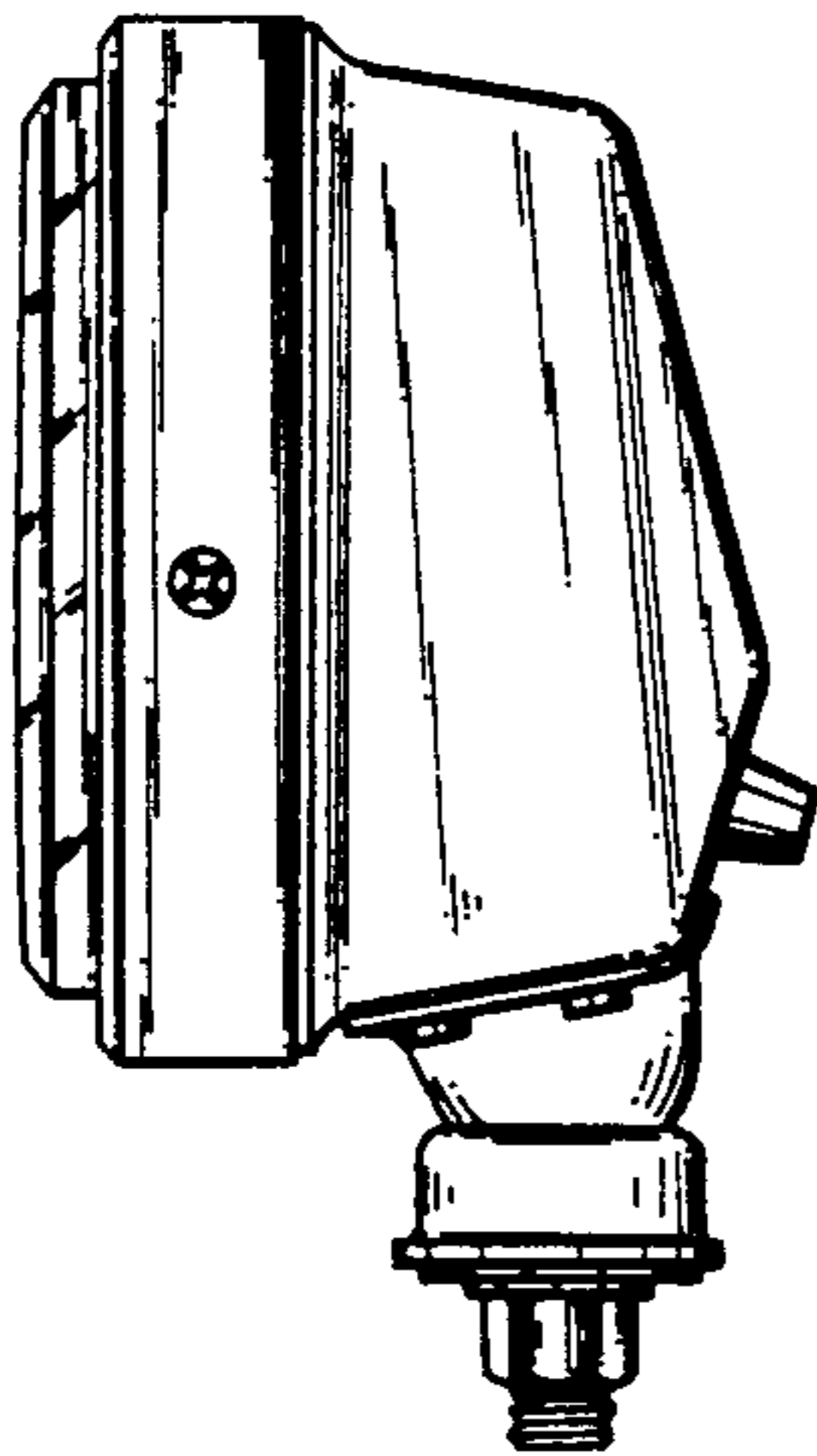
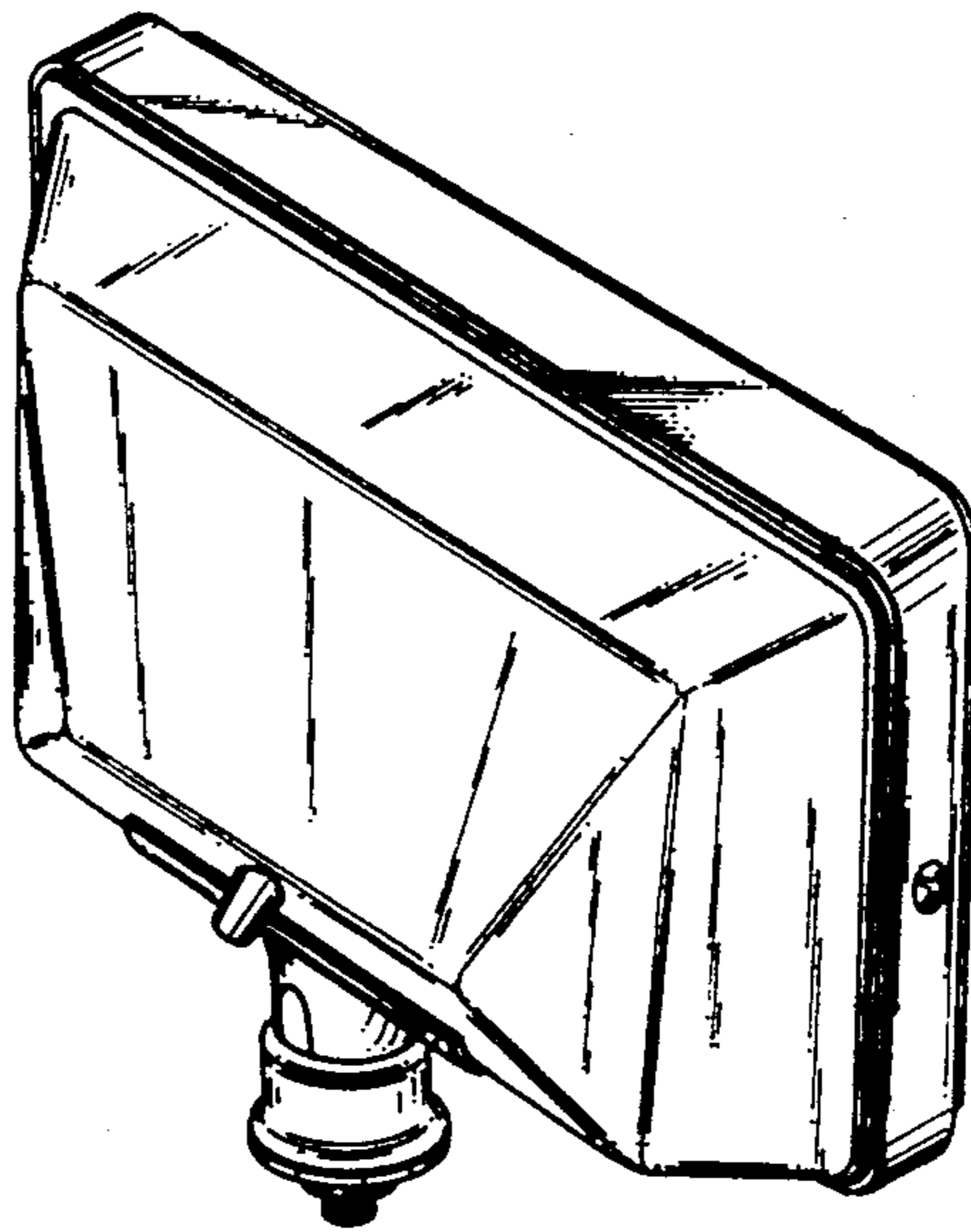


FIG. 3