

[54] ROOF PANEL

[75] Inventor: Warren D. Smith, South Bend, Ind.

[73] Assignee: Glaspec Corporation, South Bend, Ind.

[**] Term: 14 Years

[21] Appl. No.: 46,208

[22] Filed: Jun. 7, 1979

[51] Int. Cl. D25-02

[52] U.S. Cl. D25/80; D25/74

[58] Field of Search 285/43; 52/97, 58, 98, 52/105; D23/153, 154; D25/80, 74

[56] References Cited

U.S. PATENT DOCUMENTS

853,897	5/1907	Porter	52/58 X
1,721,715	7/1929	Schindler	52/58 X
1,875,640	9/1932	Moore	52/58 X

3,423,889	1/1969	Elconin	52/97 X
3,521,414	7/1970	Malissa	52/98 X

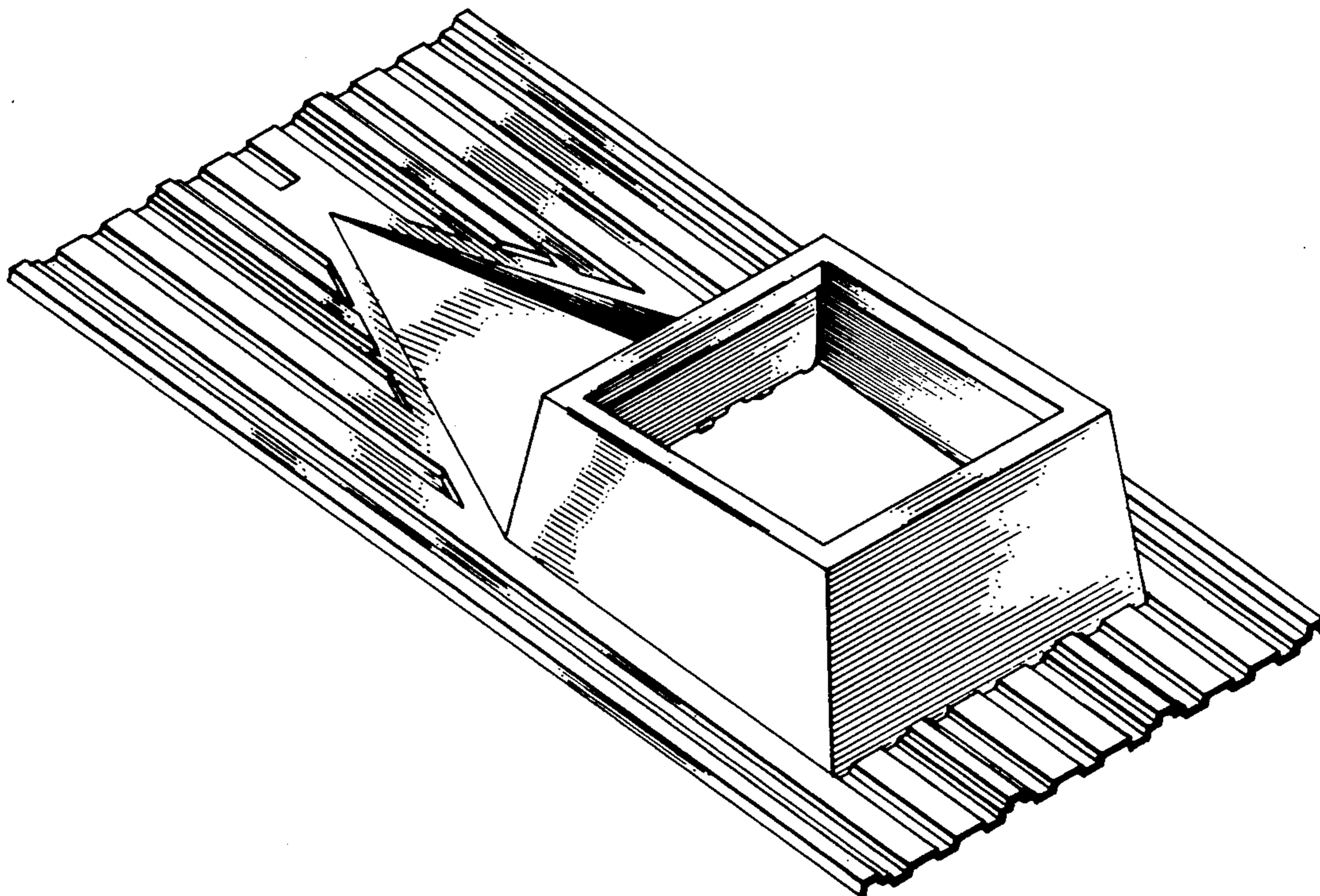
Primary Examiner—A. Hugo Word
Attorney, Agent, or Firm—Marmaduke A. Hobbs

[57] CLAIM

The ornamental design for a roof panel, substantially as shown.

DESCRIPTION

FIG. 1 is a perspective view of a roof panel embodying the present design;
FIG. 2 is an elevational view of the side of the roof panel, opposite that shown in FIG. 1;
FIG. 3 is a top plan view of the roof panel shown in the preceding figures;
FIG. 4 is an end elevational view of the roof panel shown in the preceding figures; and
FIG 5 is an end elevational view of the panel, opposite that shown in FIG. 4.



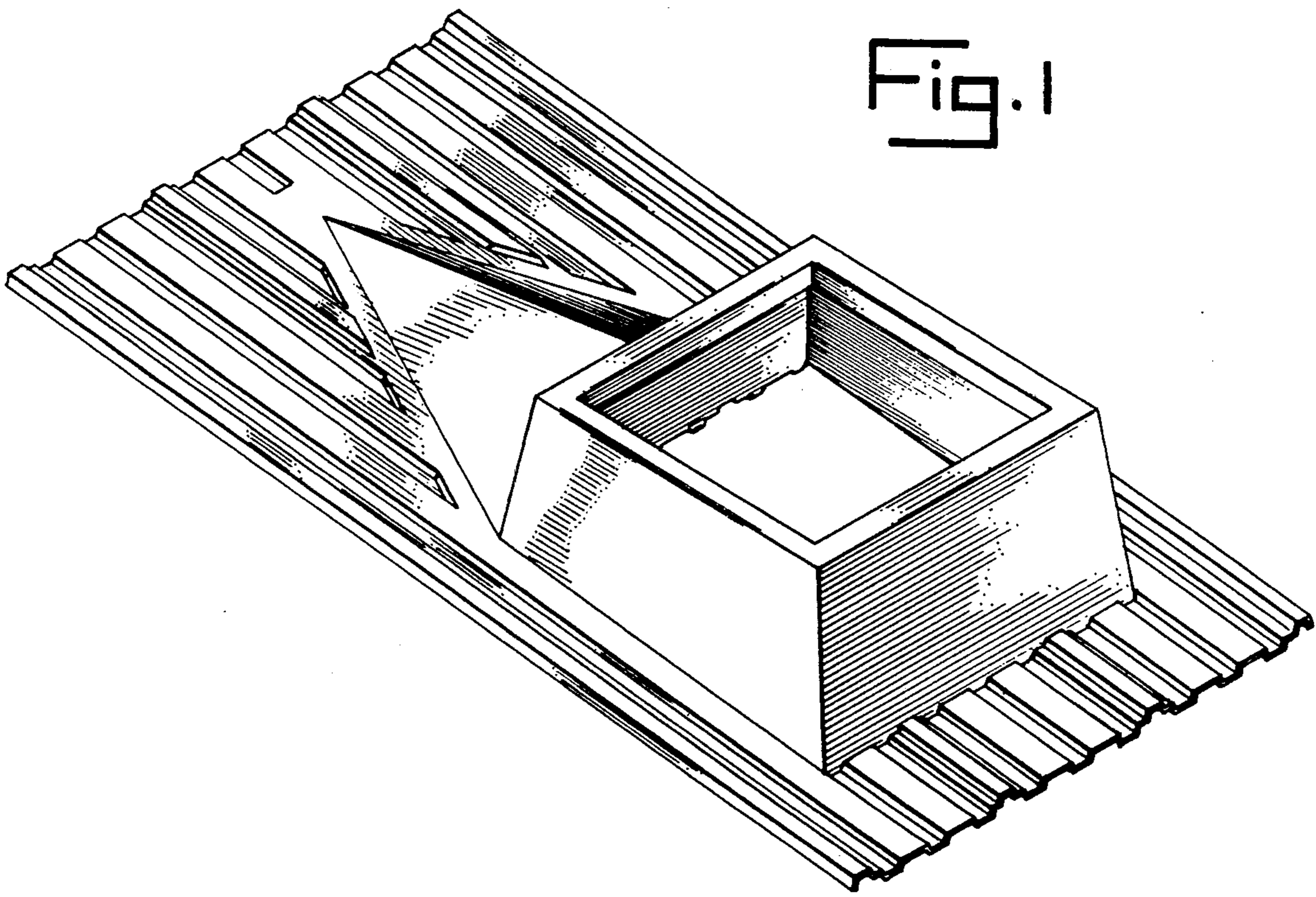


Fig. 2

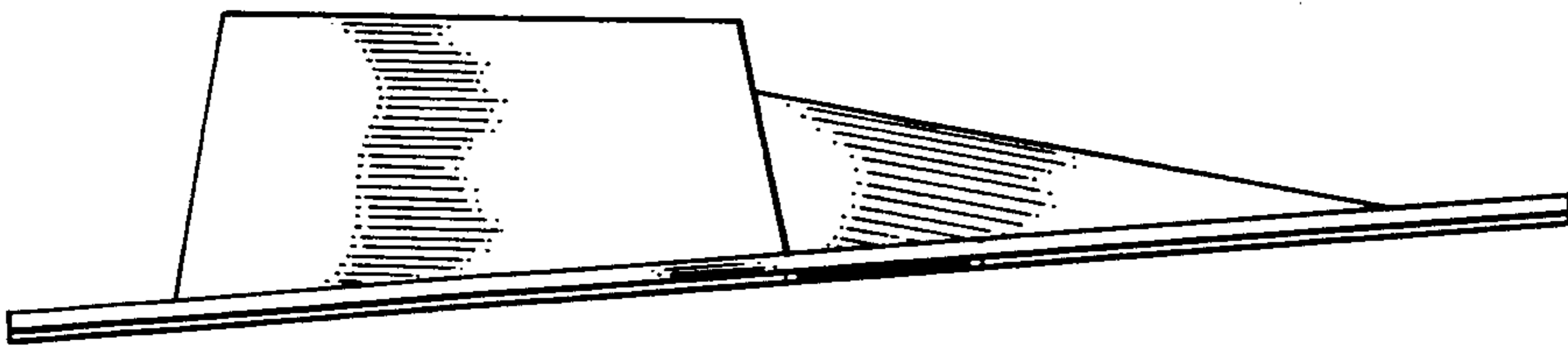


Fig. 3

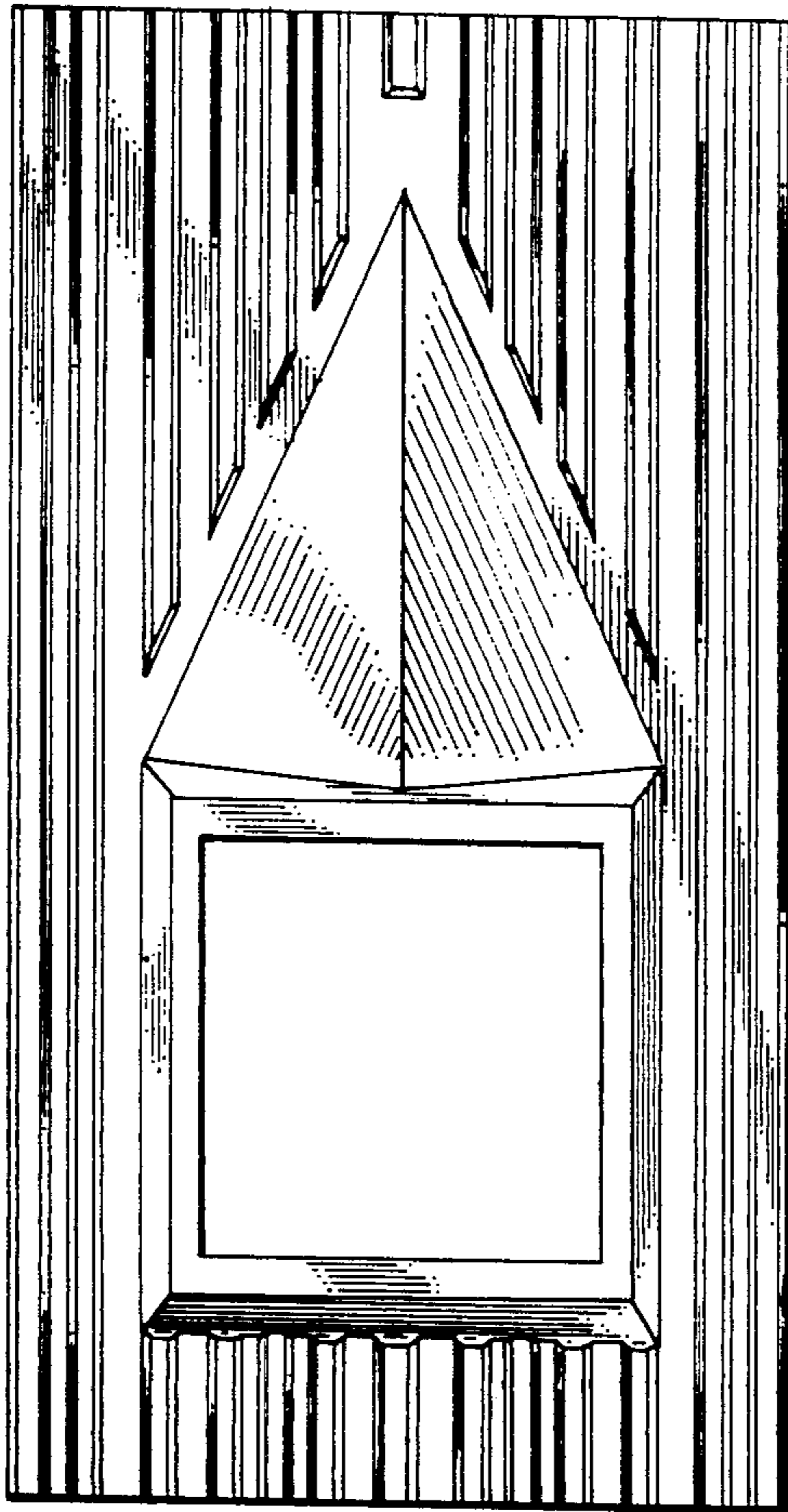


Fig. 4

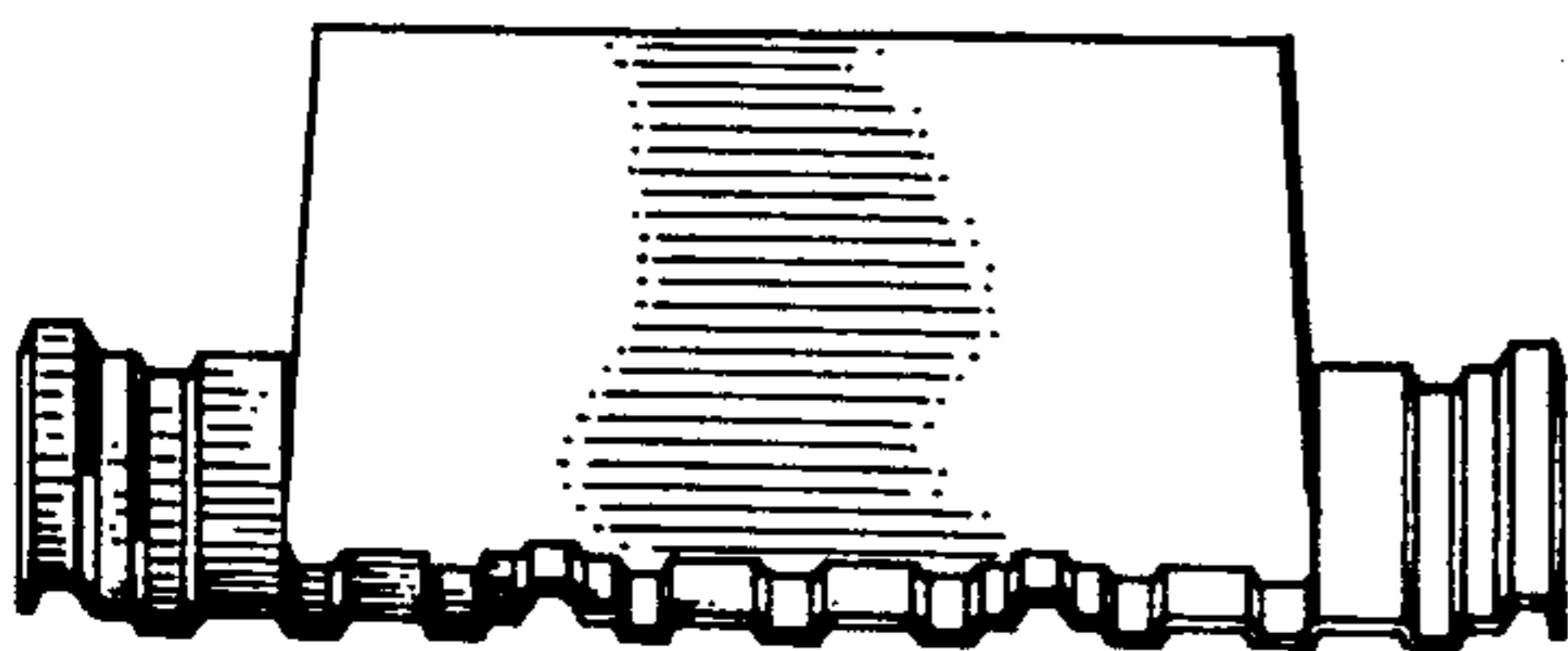


Fig. 5

