

[54] EXTRUDED MOLDING

[76] Inventor: **Richard Guy**, 27752 Torija, Mission Viejo, Calif. 92691

[\*\*] Term: **14 Years**

[21] Appl. No.: **956,070**

[22] Filed: **Oct. 30, 1978**

[51] Int. Cl. .... **D25—01**

[52] U.S. Cl. .... **D25/74**

[58] Field of Search ..... **D25/73, 74, 77, 78, D25/79, 52, 53, 80; D6/232, 242, 246; 52/737, 656, 721, 731, 732**

[56] **References Cited**

**U.S. PATENT DOCUMENTS**

D. 251,807	5/1979	Apri .....	D25/74 X
2,185,904	1/1940	Stowe .....	D25/74 X
2,837,153	6/1958	Brown et al. ....	D25/58 X

*Primary Examiner*—A Hugo Word  
*Attorney, Agent, or Firm*—Francis X. LoJacono

[57] **CLAIM**

The ornamental design for an extruded molding, as shown.

**DESCRIPTION**

FIG. 1 is a perspective view of an extruded molding showing my new design;

FIG. 2 is an end-elevational view of the side not seen in FIG. 1;

FIG. 3 is a rear-elevational view thereof; and

FIG. 4 is a bottom plan view thereof.

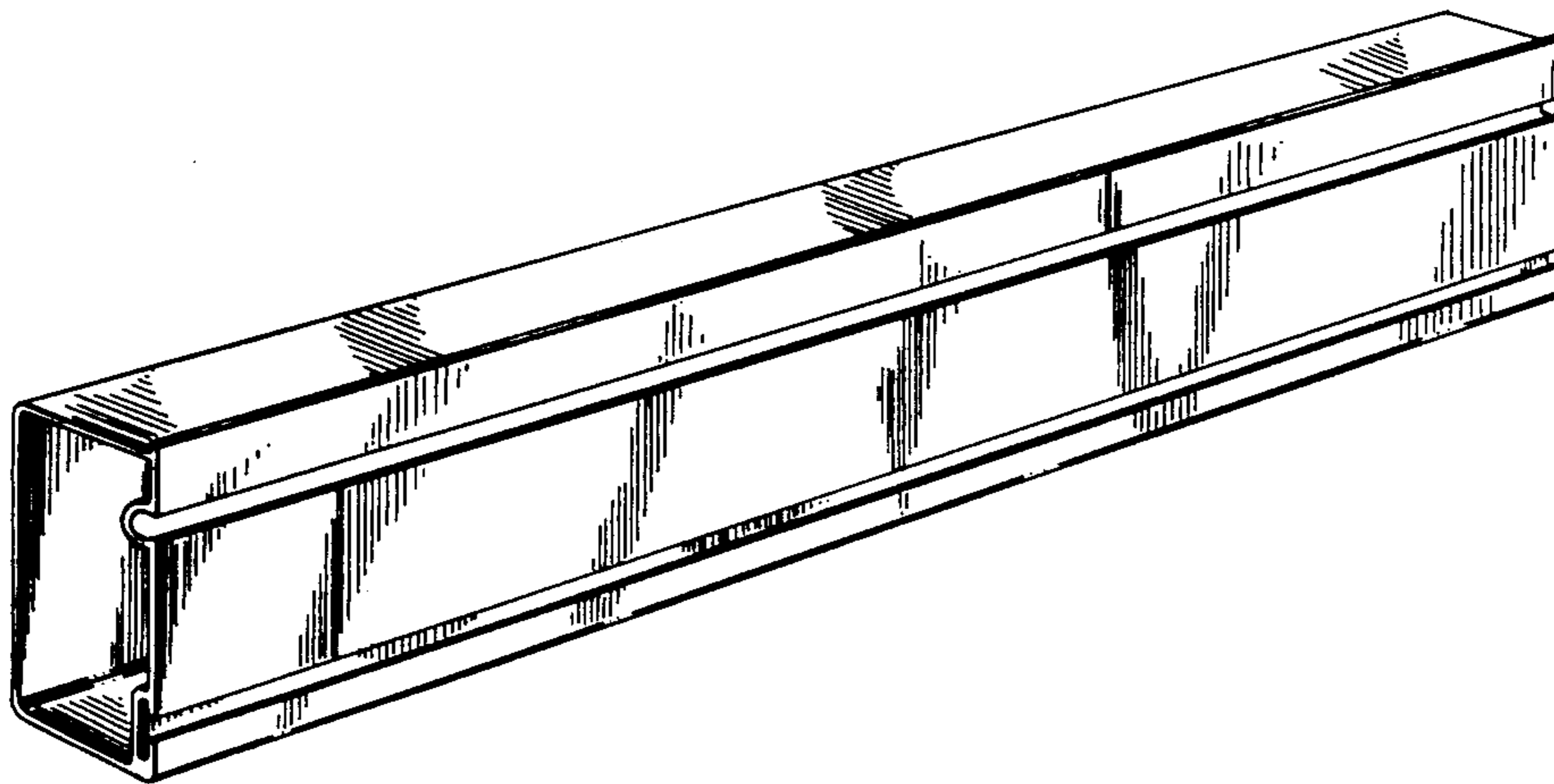


FIG. 1

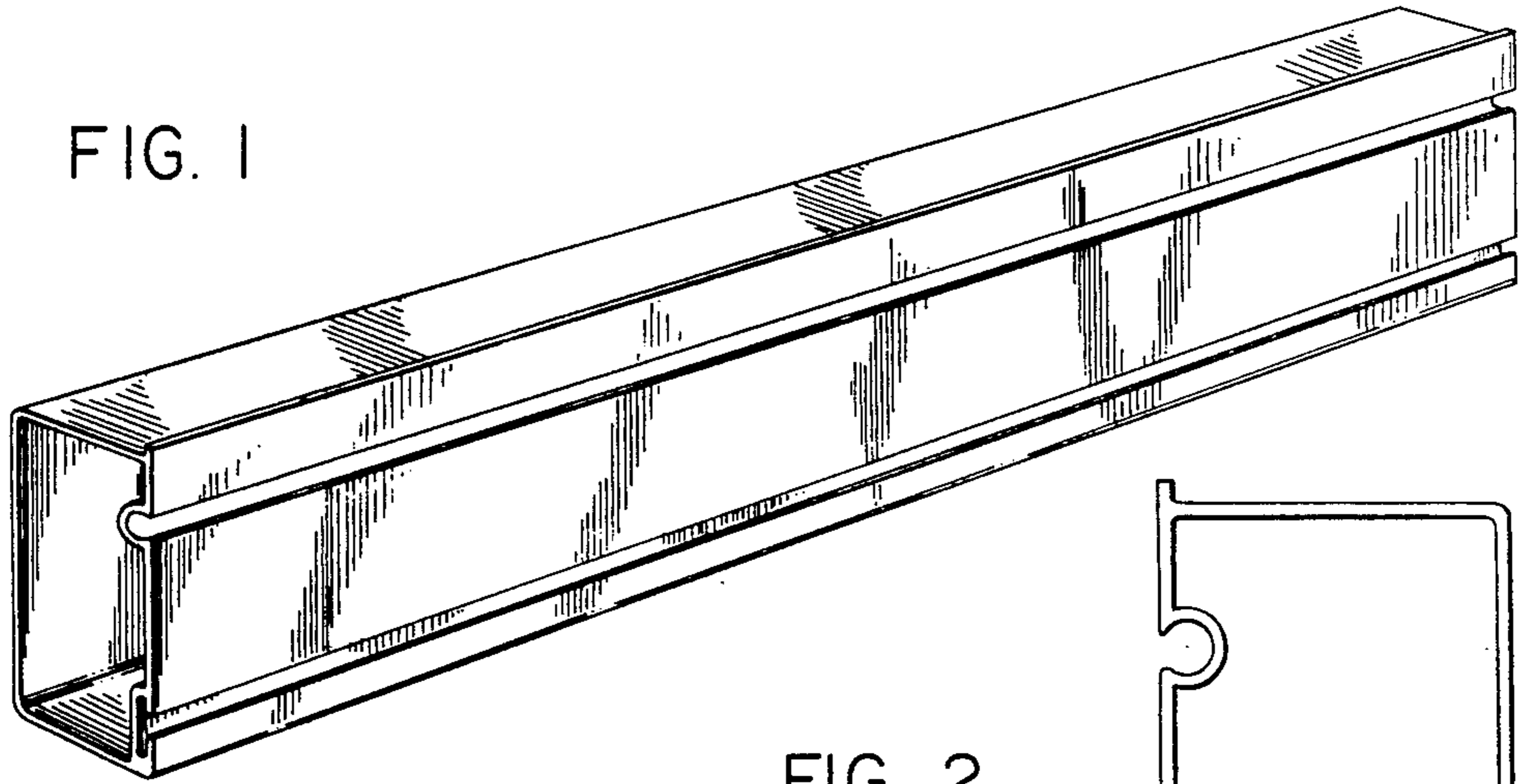


FIG. 2

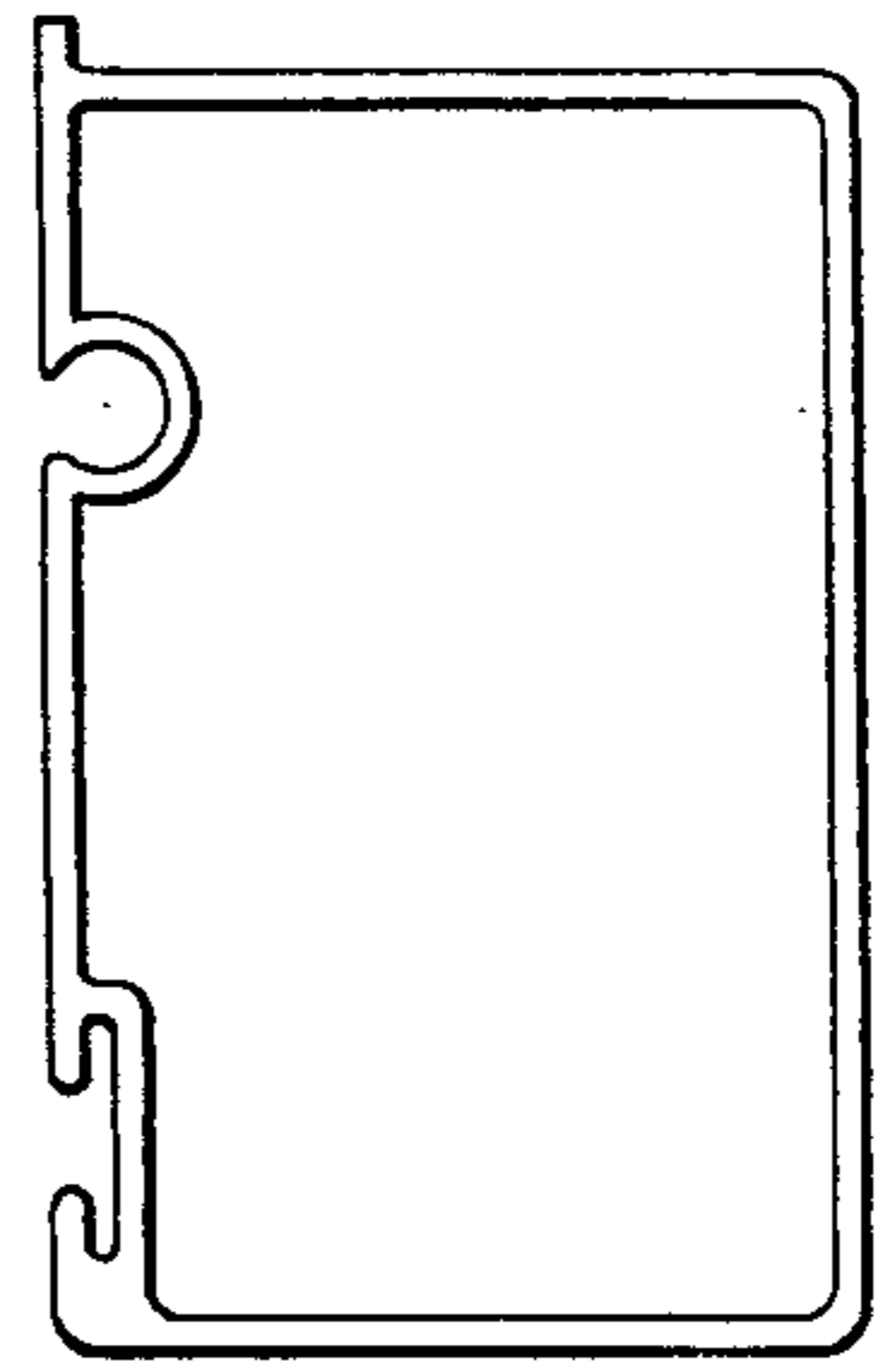


FIG. 3

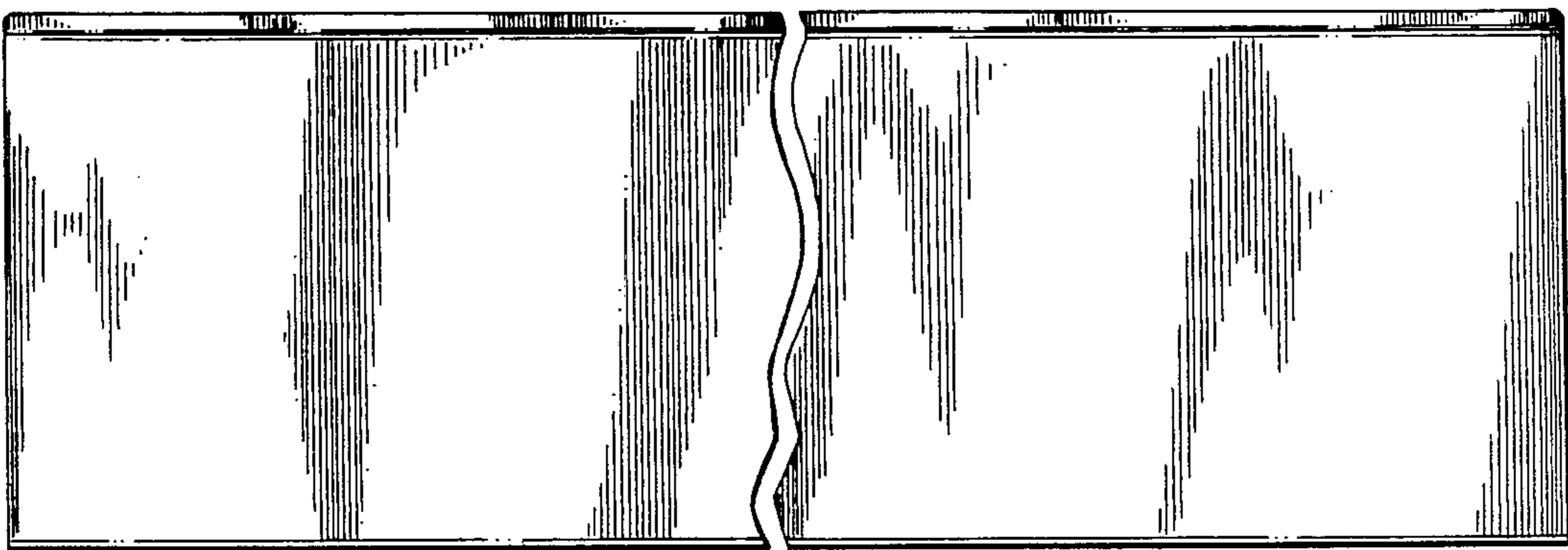


FIG. 4

