

[54] WATER SKI-FLOAT

[56]

References Cited

U.S. PATENT DOCUMENTS

[76] Inventor: **Dennie L. Coffin**, 14 Mastenbrook Ct., Gaithersburg, Md. 20760

D. 206,839	1/1967	Seeley	D21/228
D. 227,508	6/1973	Bedient	D21/228
2,958,875	11/1960	McClain	9/310 B
3,340,554	9/1967	Allender	9/310 B

[**] Term: **14 Years**

Primary Examiner—Alan P. Douglas
Attorney, Agent, or Firm—Lane, Aitken, Ziems, Kice & Kananen

[21] Appl. No.: **928,011**

[57]

CLAIM

[22] Filed: **Jul. 25, 1978**

1 The ornamental design for a water ski-float, as shown.

[30] Foreign Application Priority Data

Dec. 7, 1977 [GB] United Kingdom 982523/77

DESCRIPTION

FIG. 1 is a front perspective view from above and one side of the ornamental design for a water ski-float of the present invention.

[51] Int. Cl. **D21-02**

FIG. 2 is a view of other side,

[52] U.S. Cl. **D21/228**

FIG. 3 is an underneath plan,

[58] Field of Search **D21/228, 236; 9/310 B**

FIG. 4 is a rear view, and

FIG. 5 is a sectional view of line X—X.

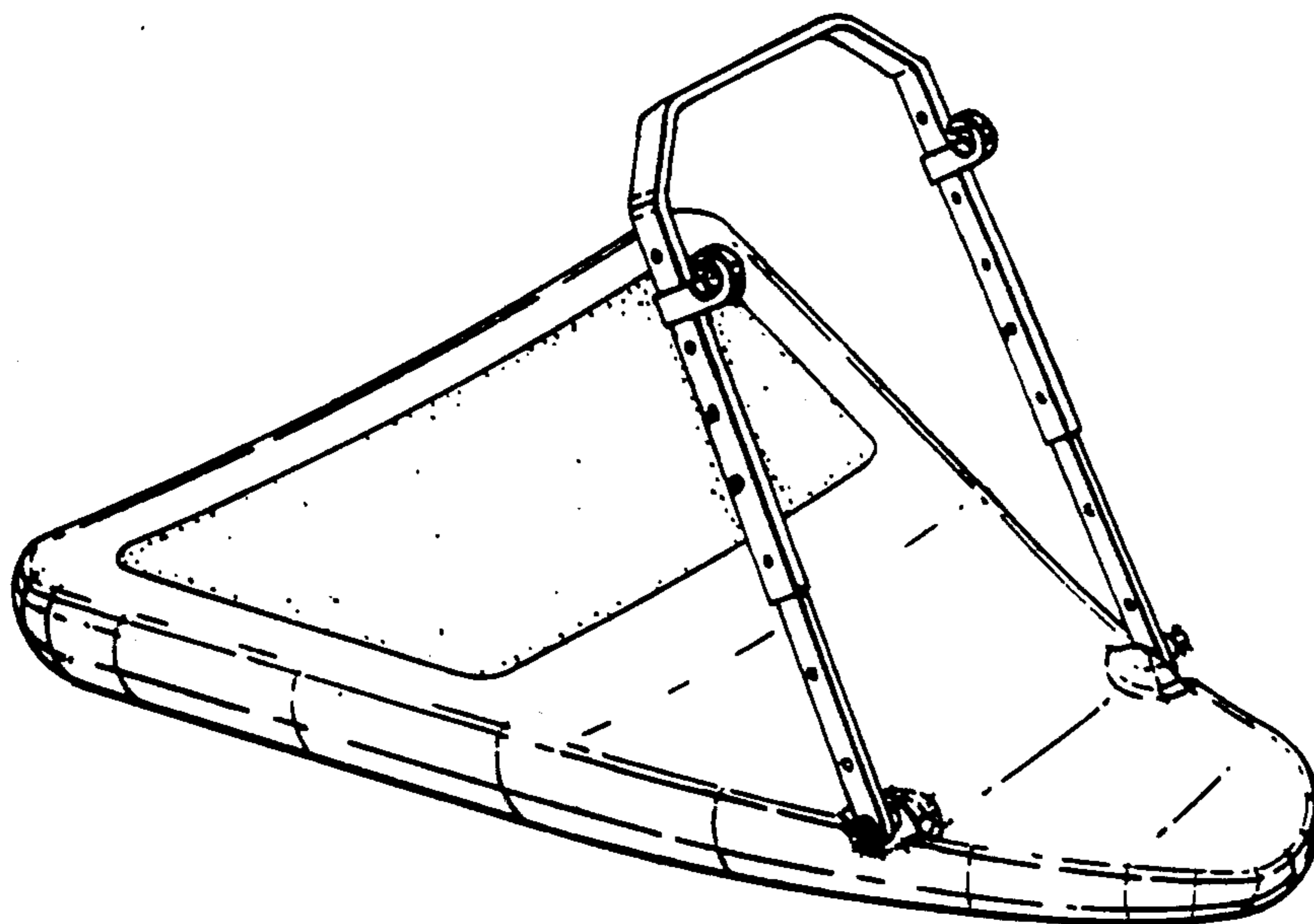


FIG. 1.

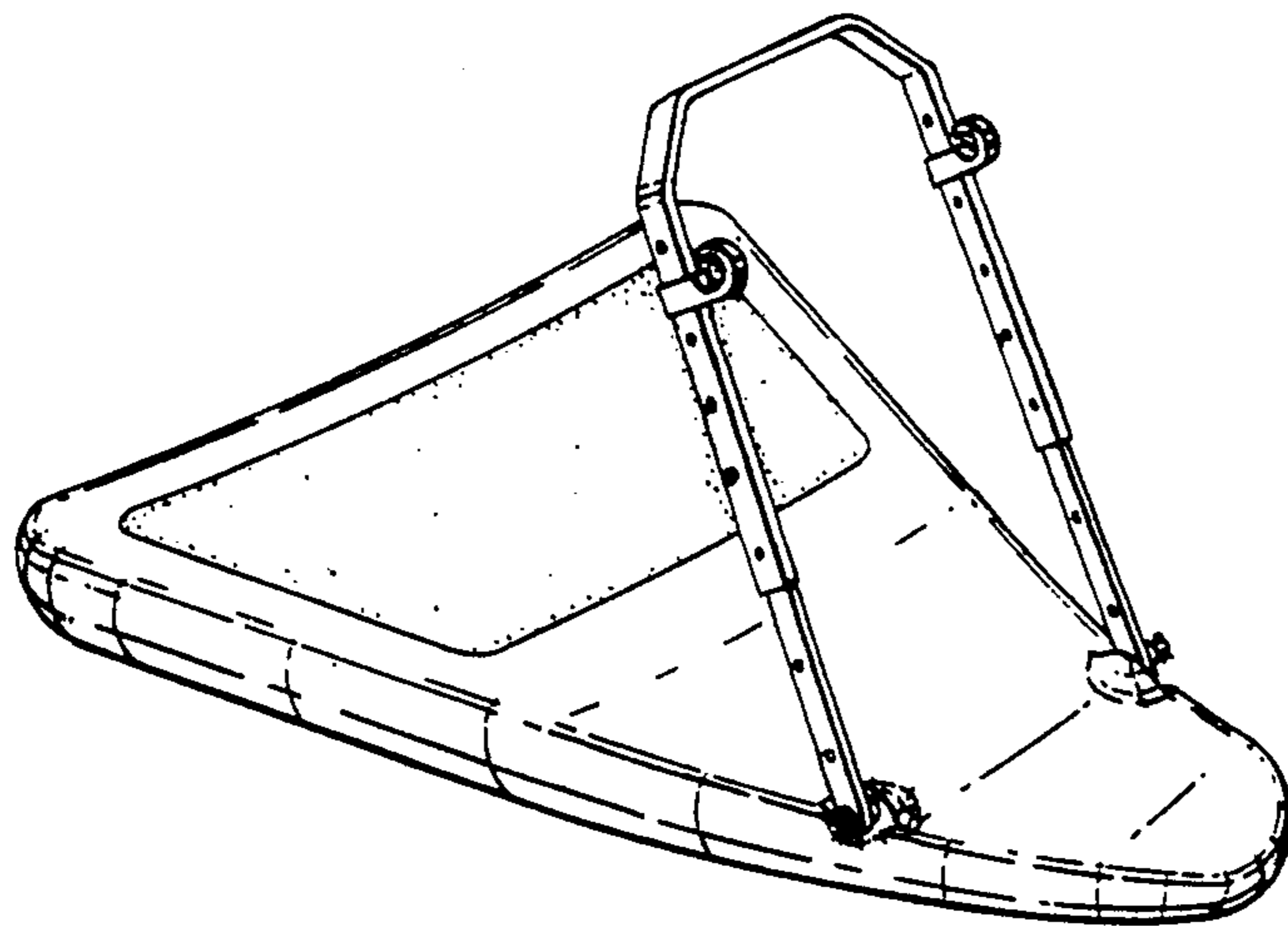
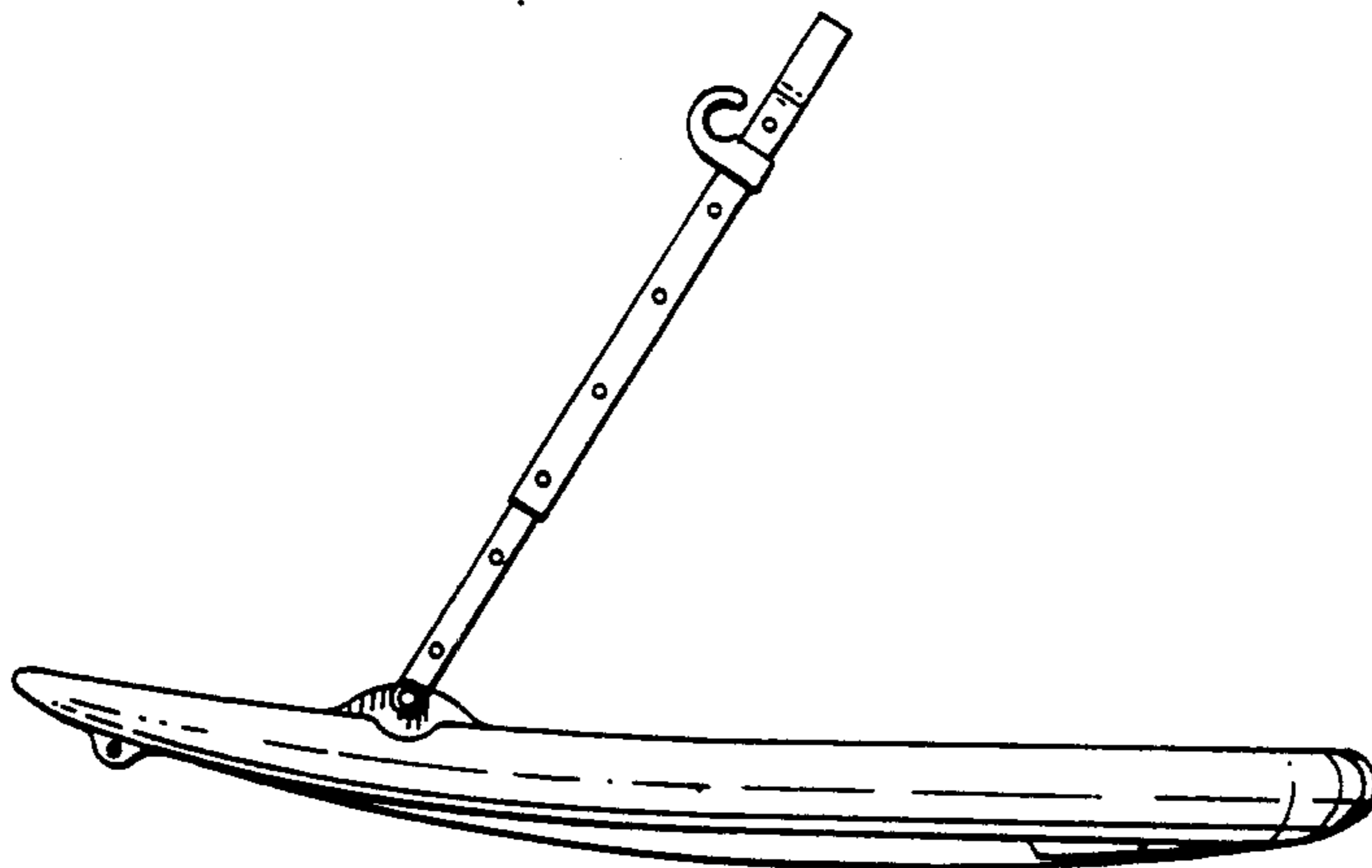


FIG. 2.



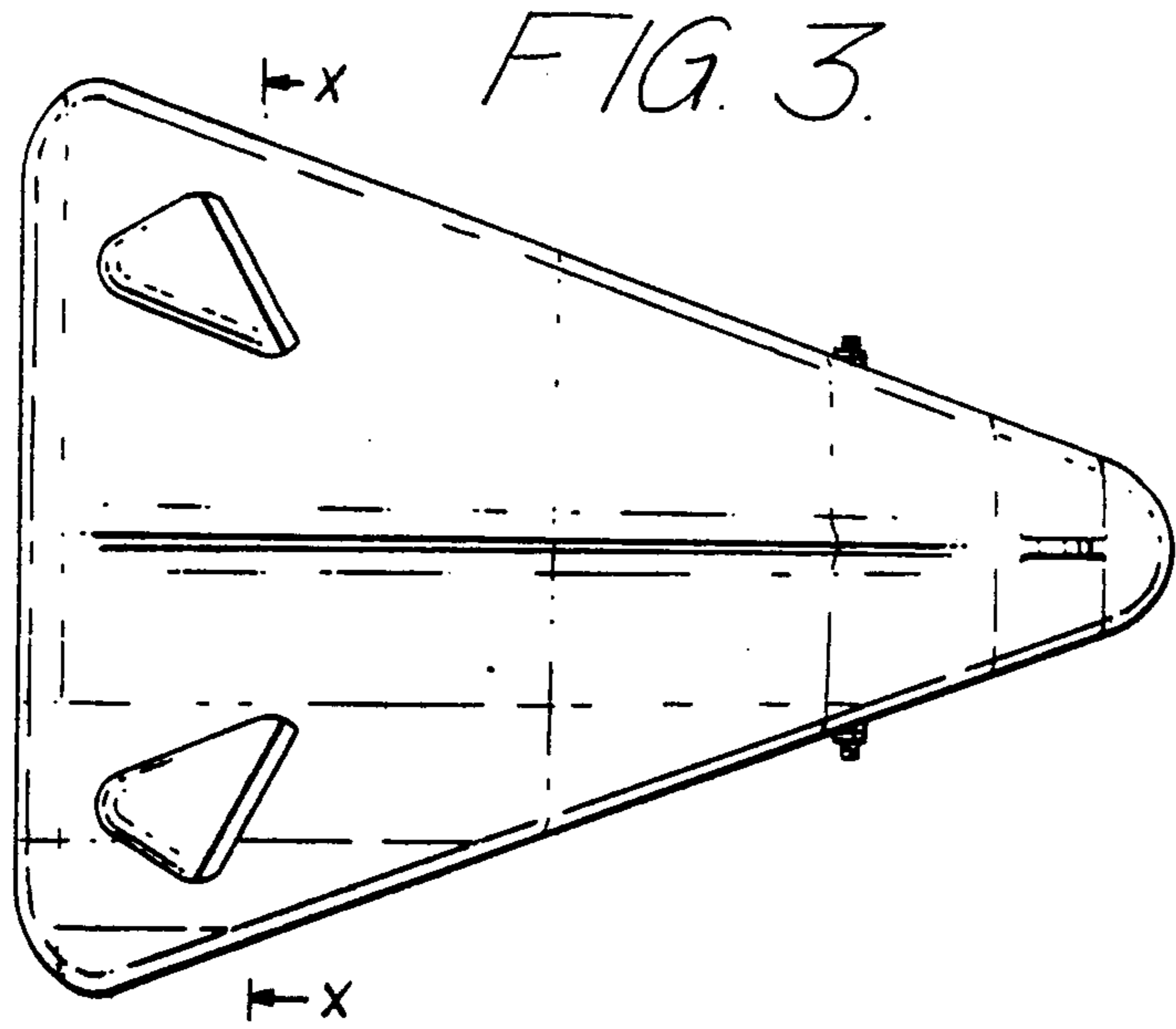


FIG. 4.

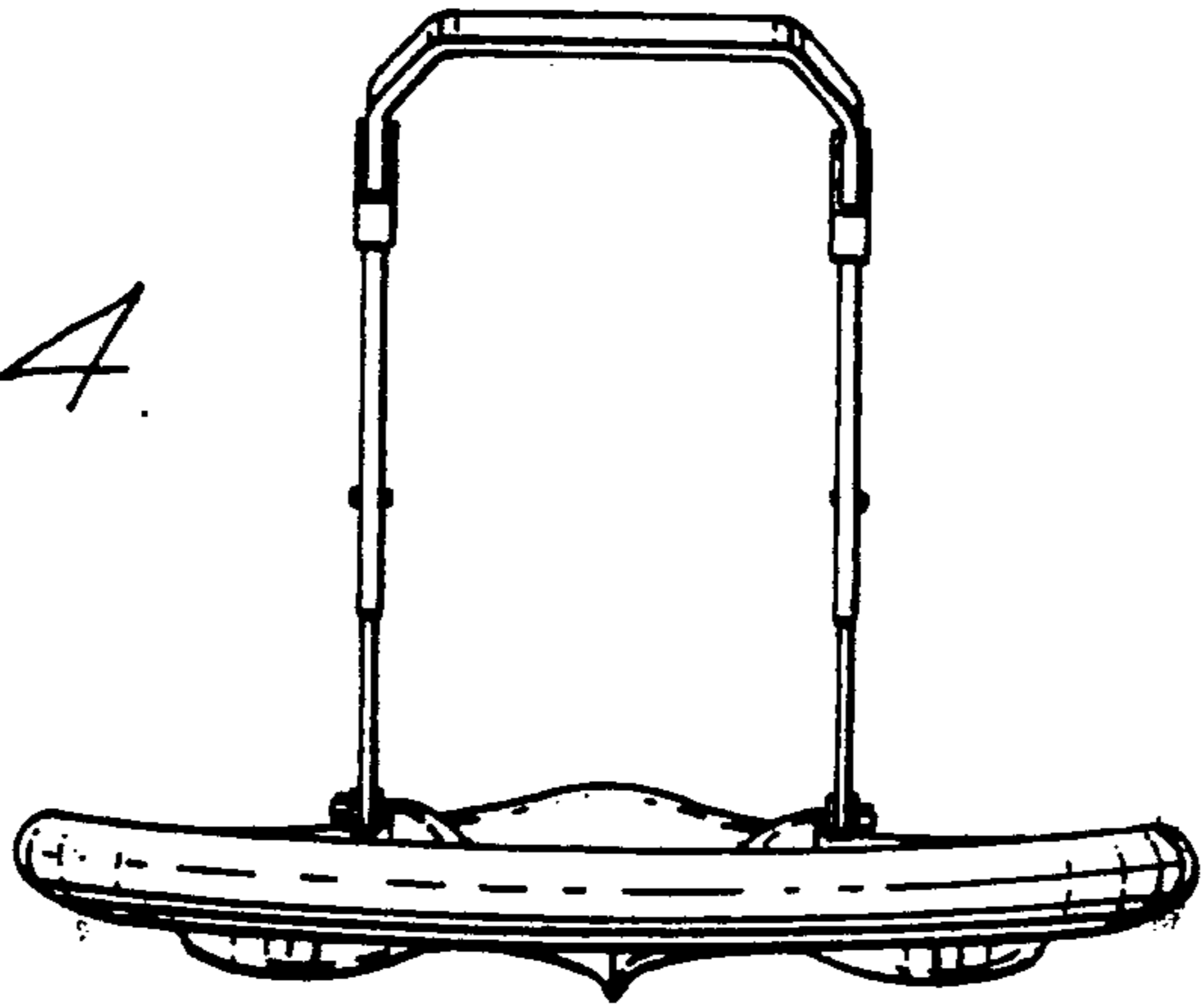


FIG. 5.

