

[54] BALL PADDLE OR SIMILAR ARTICLE

1,946,373 2/1934 Walsh 273/67 R

[76] Inventor: Le Mar M. Gearhart, II, 333 E. Carrillo St., #6, Santa Barbara, Calif. 93101

Primary Examiner—Melvin B. Feifer
Attorney, Agent, or Firm—Daniel J. Meaney, Jr.

[**] Term: 14 Years

[57] CLAIM

[21] Appl. No.: 38,530

The ornamental design for a ball paddle or similar article, as shown.

[22] Filed: May 14, 1979

DESCRIPTION

[51] Int. Cl. D21-01

FIG. 1 is a front, perspective view of a ball paddle or similar article showing my new design;

[52] U.S. Cl. D21/213

FIG. 2 is a rear, perspective view of a ball paddle or similar article;

[58] Field of Search D21/213, 212; 273/67 R, 273/67 DB, 67 DC; D7/181, 184

FIG. 3 is a top plan view thereof;

[56] References Cited

FIG. 4 is a front elevation thereof;

U.S. PATENT DOCUMENTS

FIG. 5 is a left side-elevation thereof;

622,663 4/1899 Brighton D21/213

FIG. 6 is a right side-elevation thereof; and

FIG. 7 is a bottom plan view thereof.

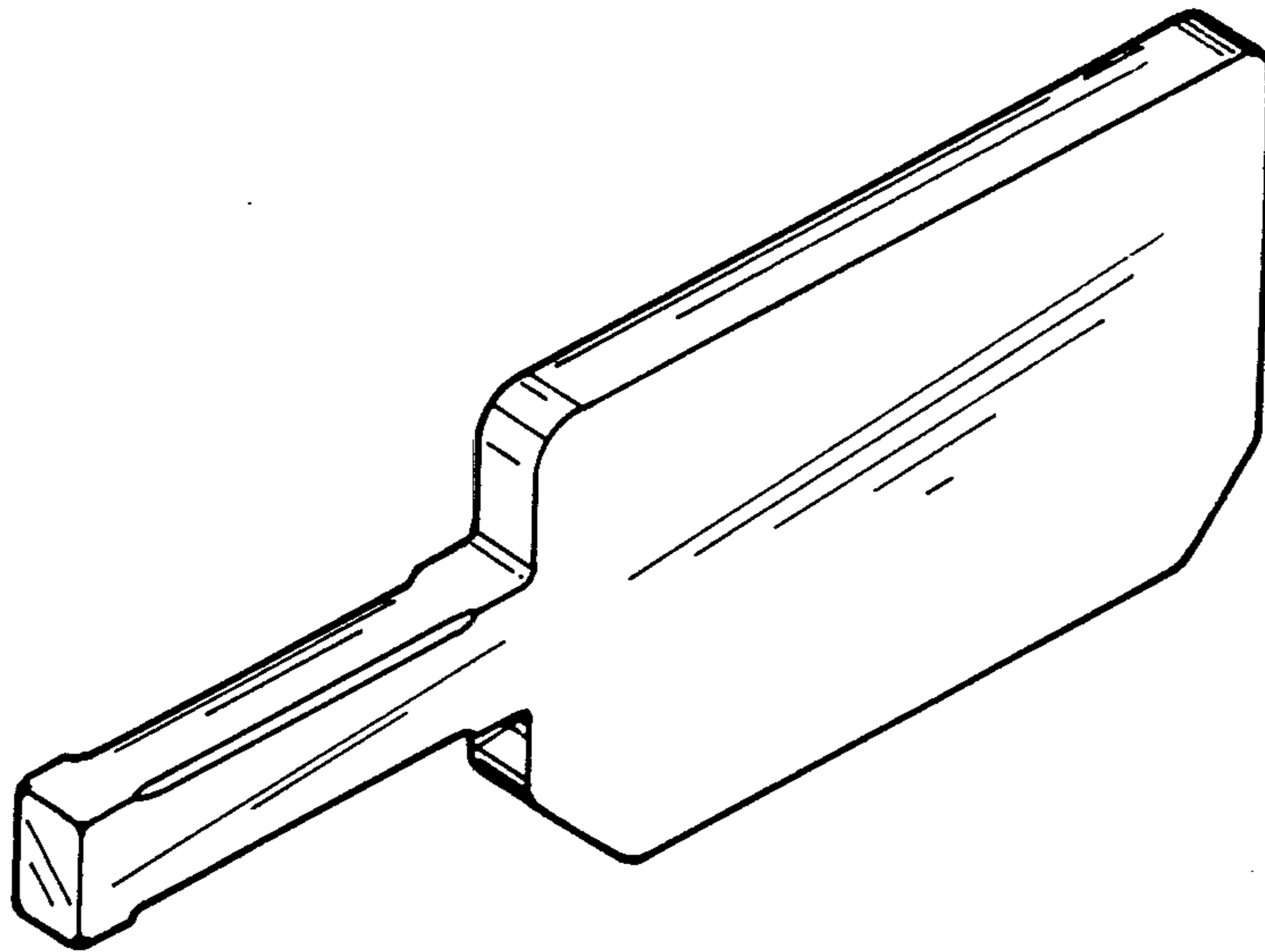


Fig 1

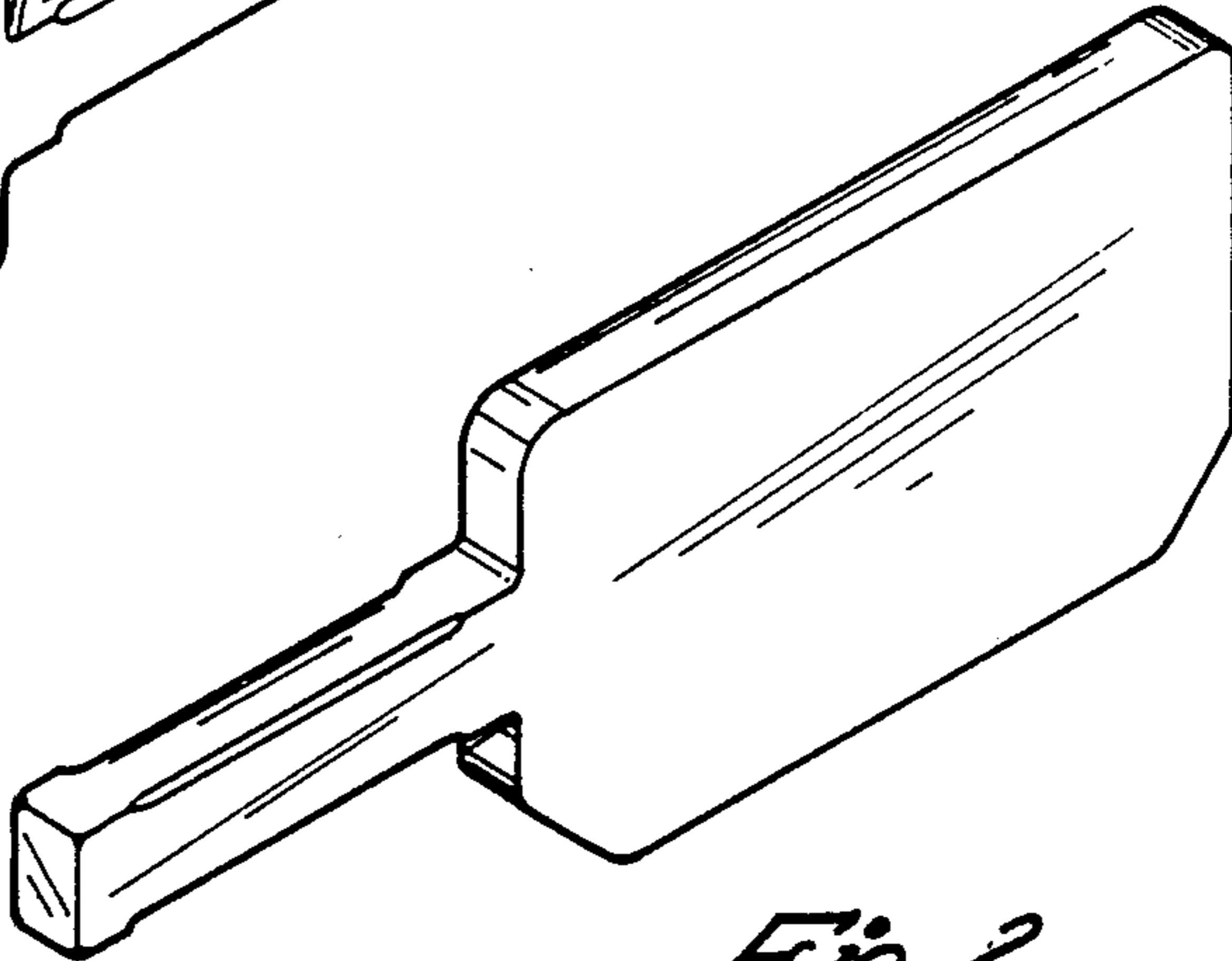
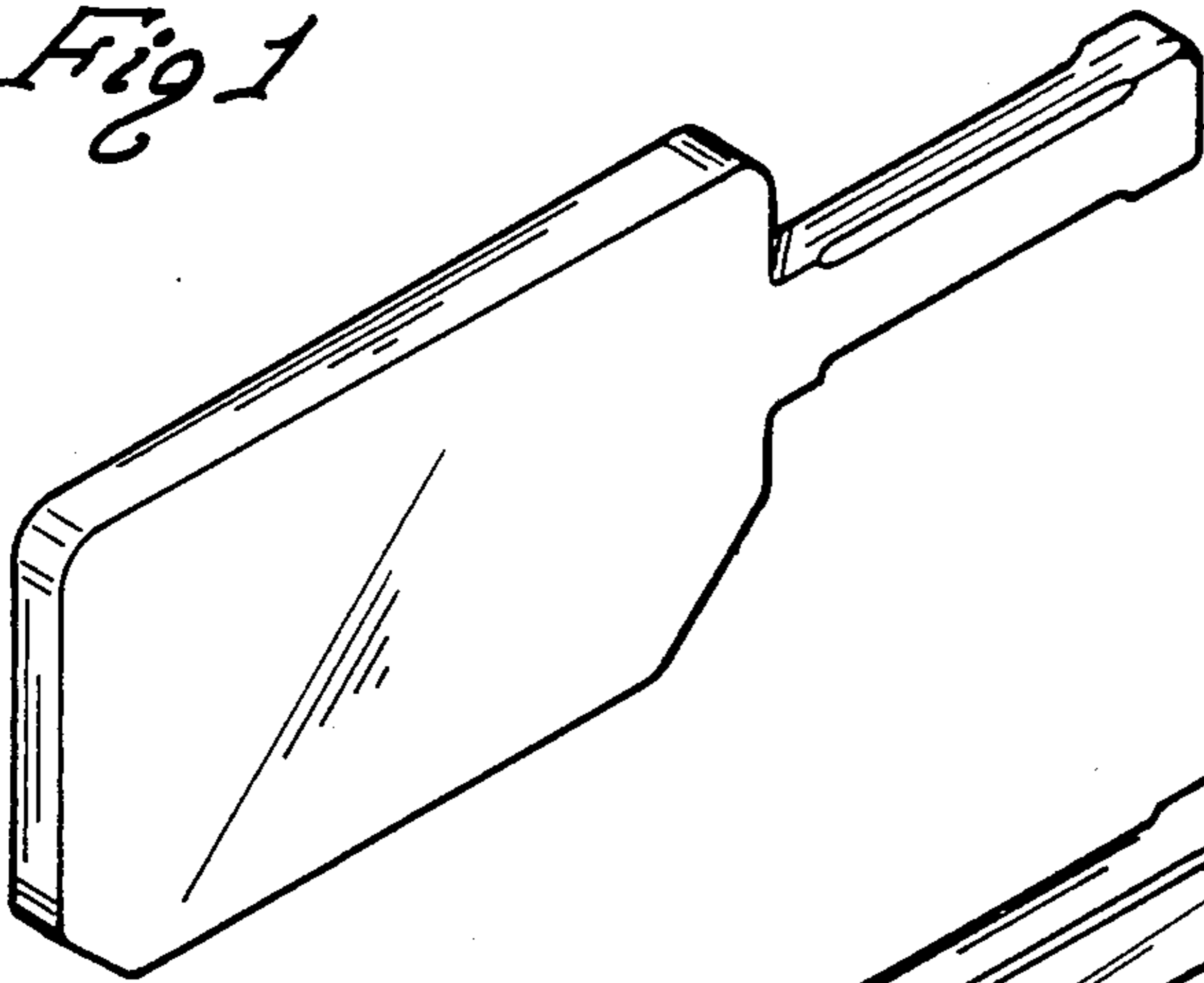


Fig 2

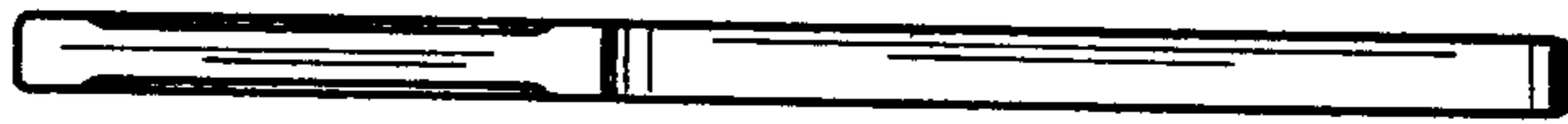


Fig 3



Fig 5

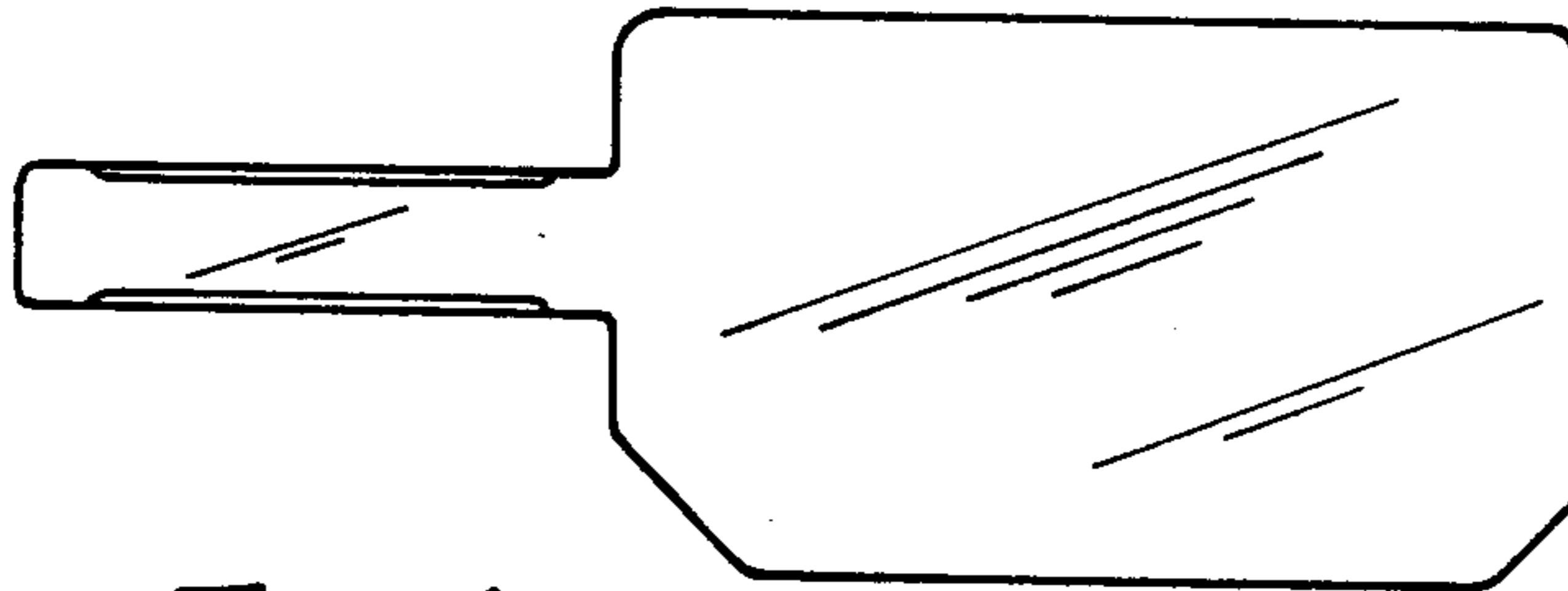


Fig 4



Fig 6



Fig 7