

[54] **COMBINED DESK SET, PEN HOLDER AND THERMOMETER**

D. 245,783	9/1977	Fieni .....	D19/75
D. 249,245	9/1978	Henkels .....	D10/53
D. 252,935	9/1979	Henkels .....	D19/75

[76] Inventor: **Walter Henkels**, Holunderweg 1, 5142 Hüchelhoven, Fed. Rep. of Germany

**OTHER PUBLICATIONS**

A. Salm Cat. 1974, p. 10, Item No. 755.

[\*\*] Term: **14 Years**

*Primary Examiner*—George P. Word

[21] Appl. No.: **65,969**

*Attorney, Agent, or Firm*—Diller, Ramik & Wight

[22] Filed: **Aug. 13, 1979**

[57] **CLAIM**

The ornamental design for a combined desk set, pen holder and thermometer, as shown and described.

[30] **Foreign Application Priority Data**

Mar. 2, 1979 [DE] Fed. Rep. of Germany ..... MR 122

[51] Int. Cl. .... **D19-02**

[52] U.S. Cl. .... **D19/75; D8/104; D10/57; D19/84**

[58] Field of Search ..... **D10/52, 53, 57; D19/21-23, 75-78, 84; D3/78; D8/102-104, 57; 206/214**

[56] **References Cited**

**U.S. PATENT DOCUMENTS**

D. 234,058	1/1975	Stahel .....	D19/75
D. 234,511	3/1975	Mori .....	D19/75

**DESCRIPTION**

FIG. 1 is a perspective view of a combined desk set, pen holder and thermometer showing my new design with the tray cover in an open position, FIG. 2 is a front elevational view thereof with the tray cover closed, FIG. 3 is a right end elevational view, FIG. 4 is a left end elevational view, FIG. 5 is a top plan view, FIG. 6 is a rear elevational view; and FIG. 7 is a bottom plan view.

The indicia shown on the thermometer in FIGS. 1 and 5 is for illustrative purposes only.

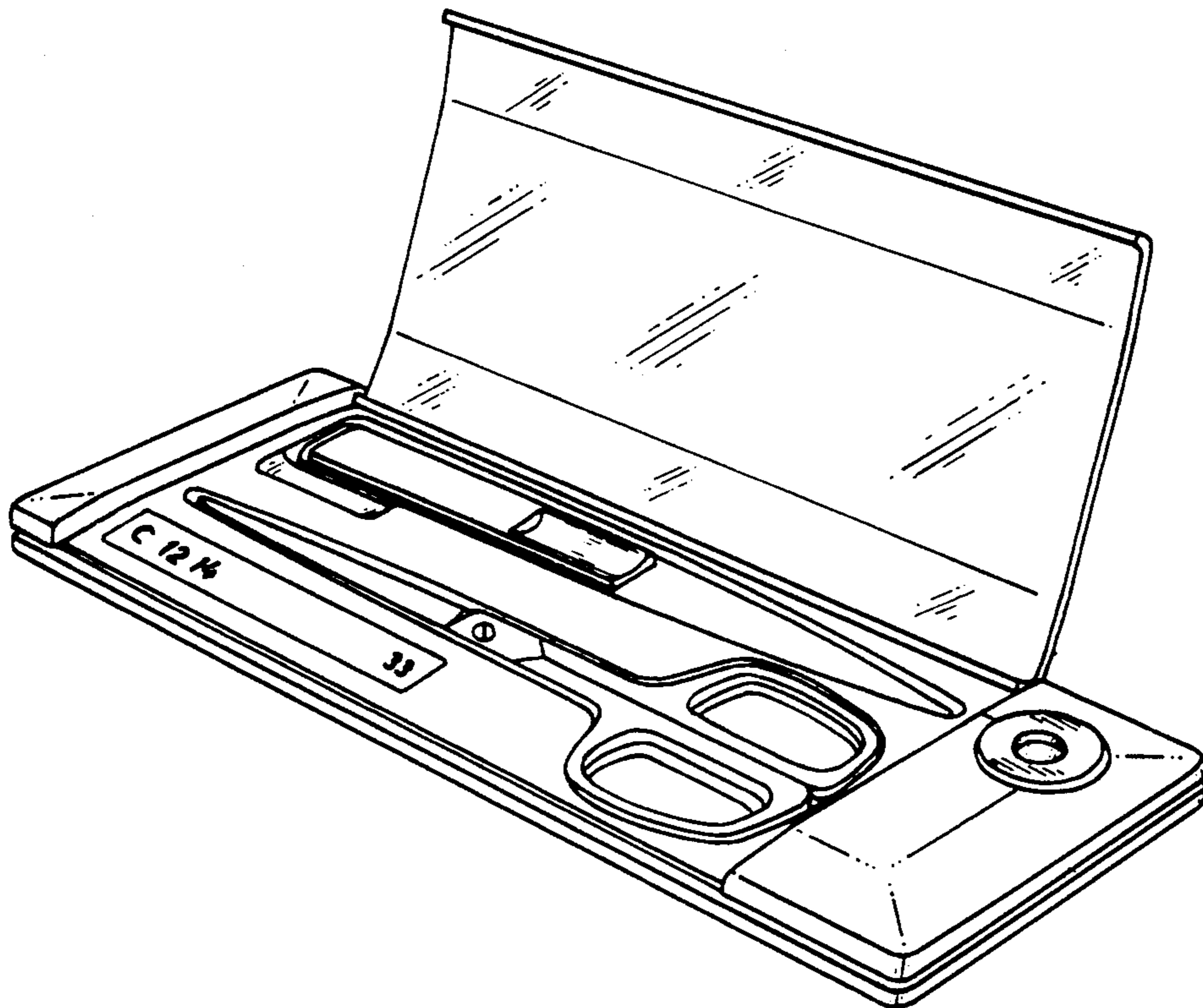


FIG.1

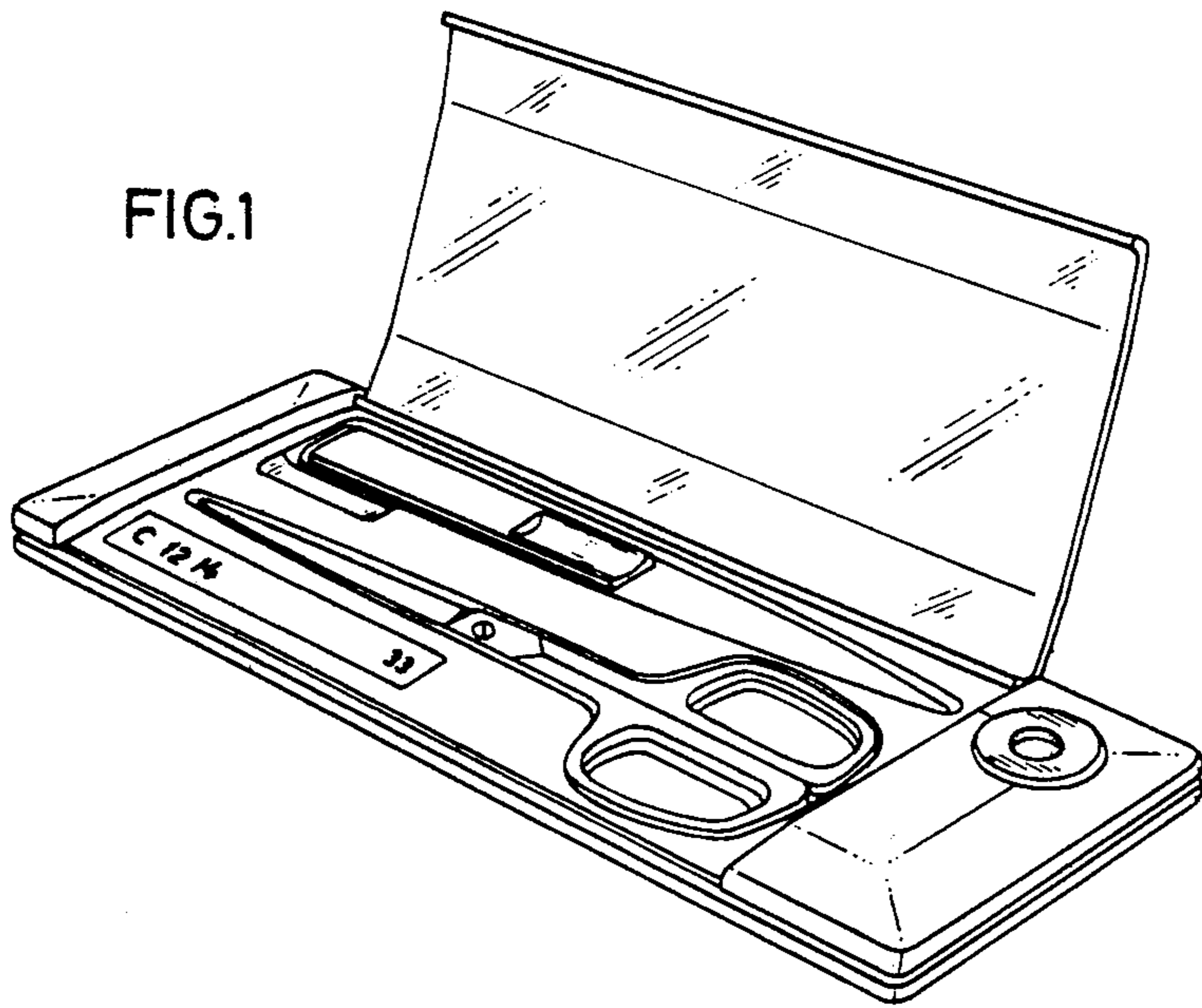


FIG.2

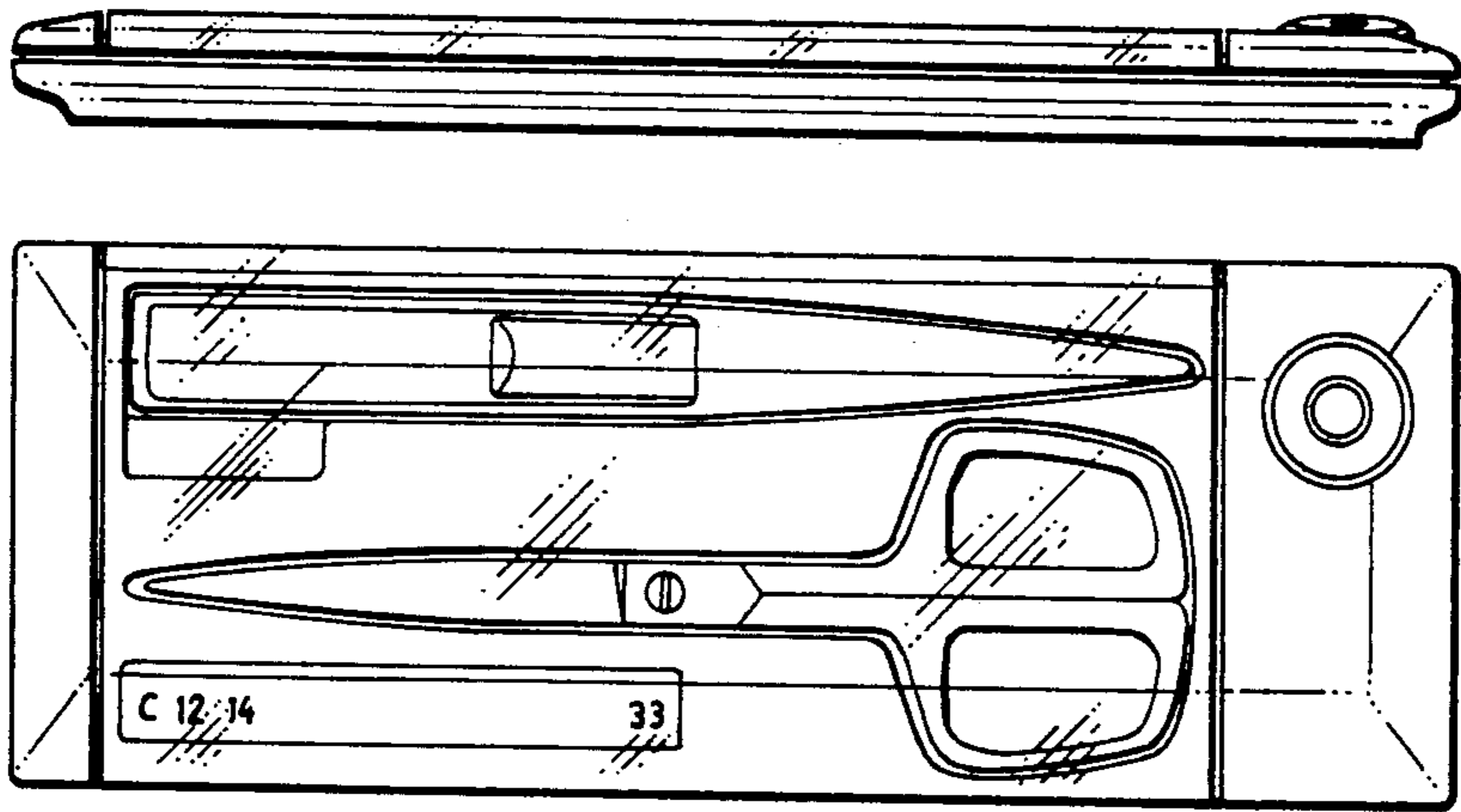


FIG.5

FIG.3



FIG.4



FIG.6

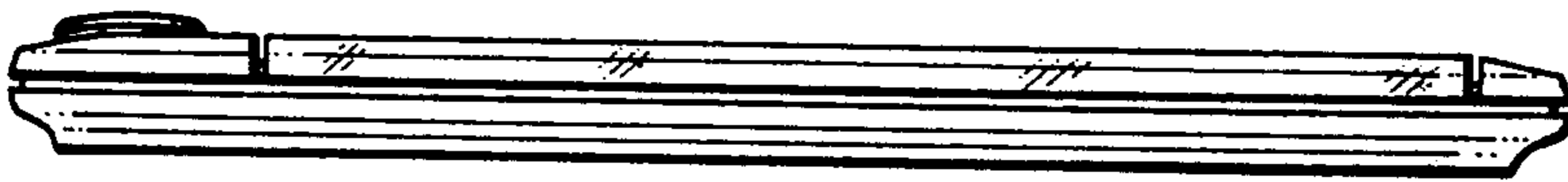


FIG.7

