

[54] MACHINE FOR SORTING AND SEPARATING ALUMINUM CANS

[76] Inventor: Charles M. Davis, Jr., 23 The Point, Coronado, Calif. 92118

[\*\*] Term: 14 Years

[21] Appl. No.: 893,154

[22] Filed: Apr. 3, 1978

[51] Int. Cl. .... D15-99; D12-05

[52] U.S. Cl. .... D15/147; D12/58; D15/199

[58] Field of Search ..... D15/147, 199, 123; 100/91, 173, 176, DIG. 2; 209/213, 215; D12/58

[56] References Cited

U.S. PATENT DOCUMENTS

- D. 143,715 2/1946 Ensinger ..... D15/147
- D. 237,540 11/1975 O'Neill et al. .... D15/147

- 3,776,128 12/1973 Morris ..... 100/176
- 3,951,059 4/1976 Morris ..... 100/173
- 4,059,050 11/1977 Davis ..... 209/215
- 4,084,496 4/1978 Ehernberger ..... 100/91

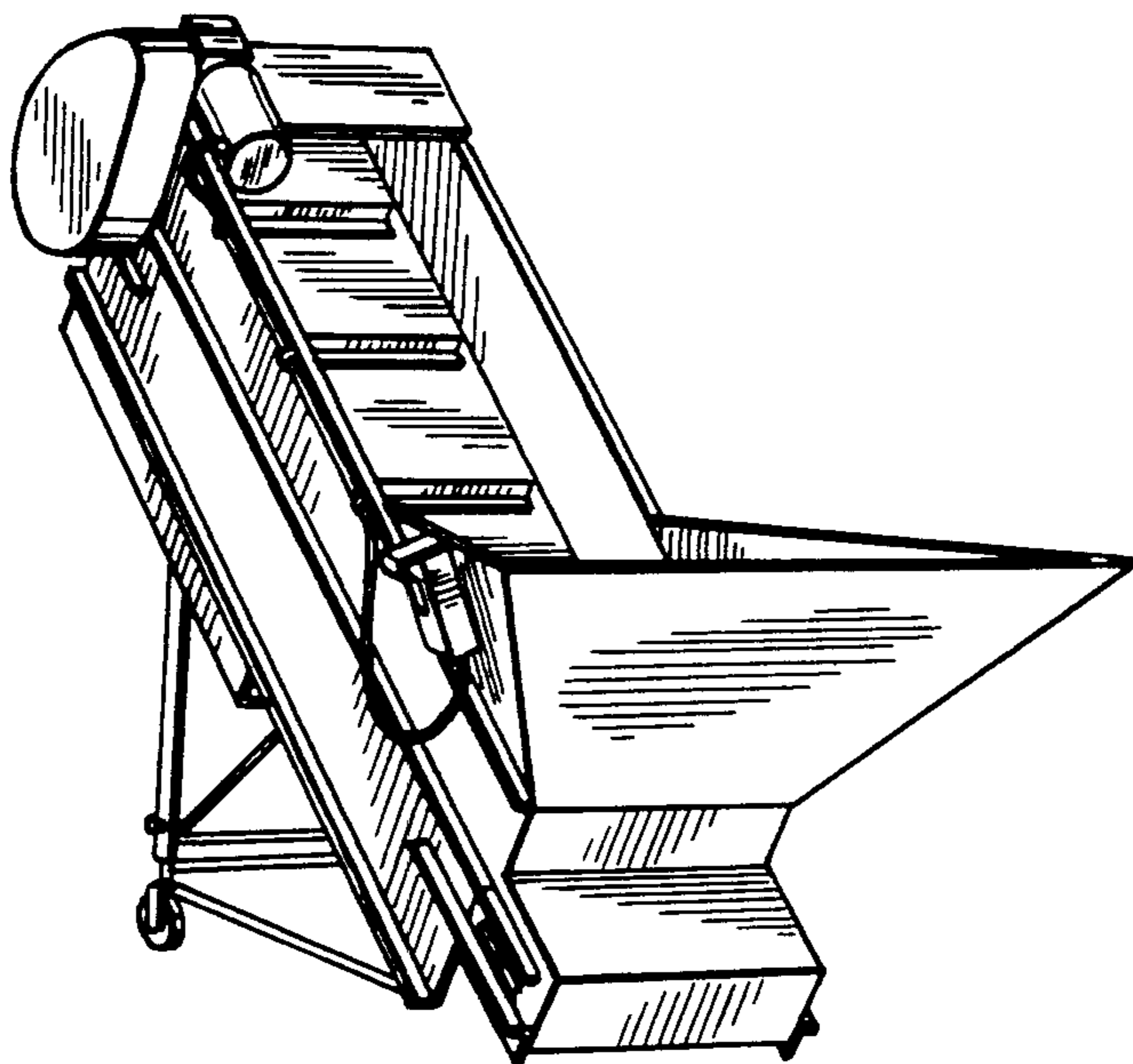
Primary Examiner—B. J. Bullock  
Attorney, Agent, or Firm—Brown & Martin

[57] CLAIM

The ornamental design for a machine for sorting and separating aluminum cans, substantially as shown and described.

DESCRIPTION

FIG. 1 is a perspective view from the left front of a machine for sorting and separating aluminum cans, showing my new design;  
 FIG. 2 is a side elevational view taken from the right of FIG. 1;  
 FIG. 3 is a front elevational view thereof;  
 FIG. 4 is a top plan view thereof; and  
 FIG. 5 is a rear elevational view thereof.



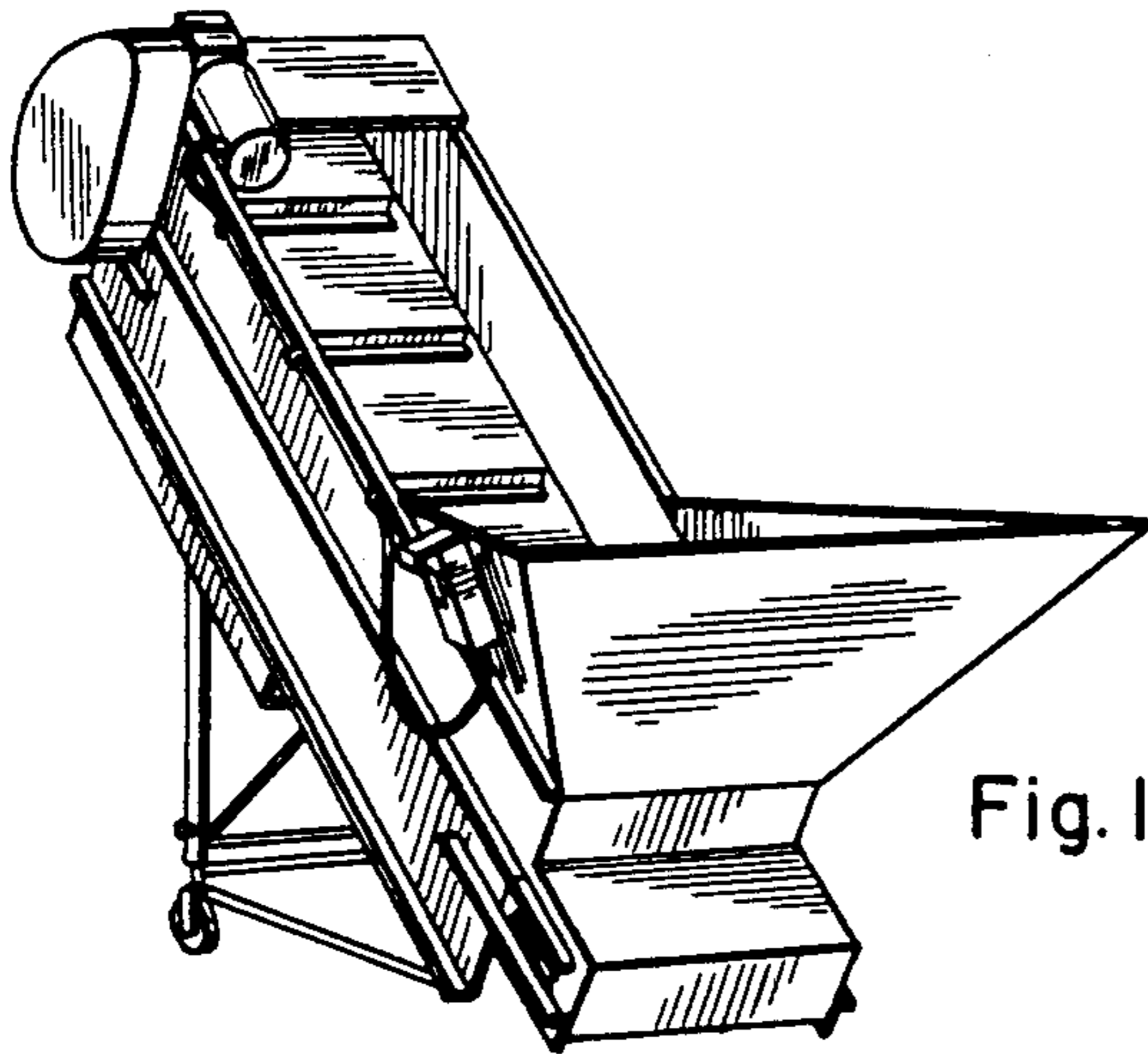


Fig. 1

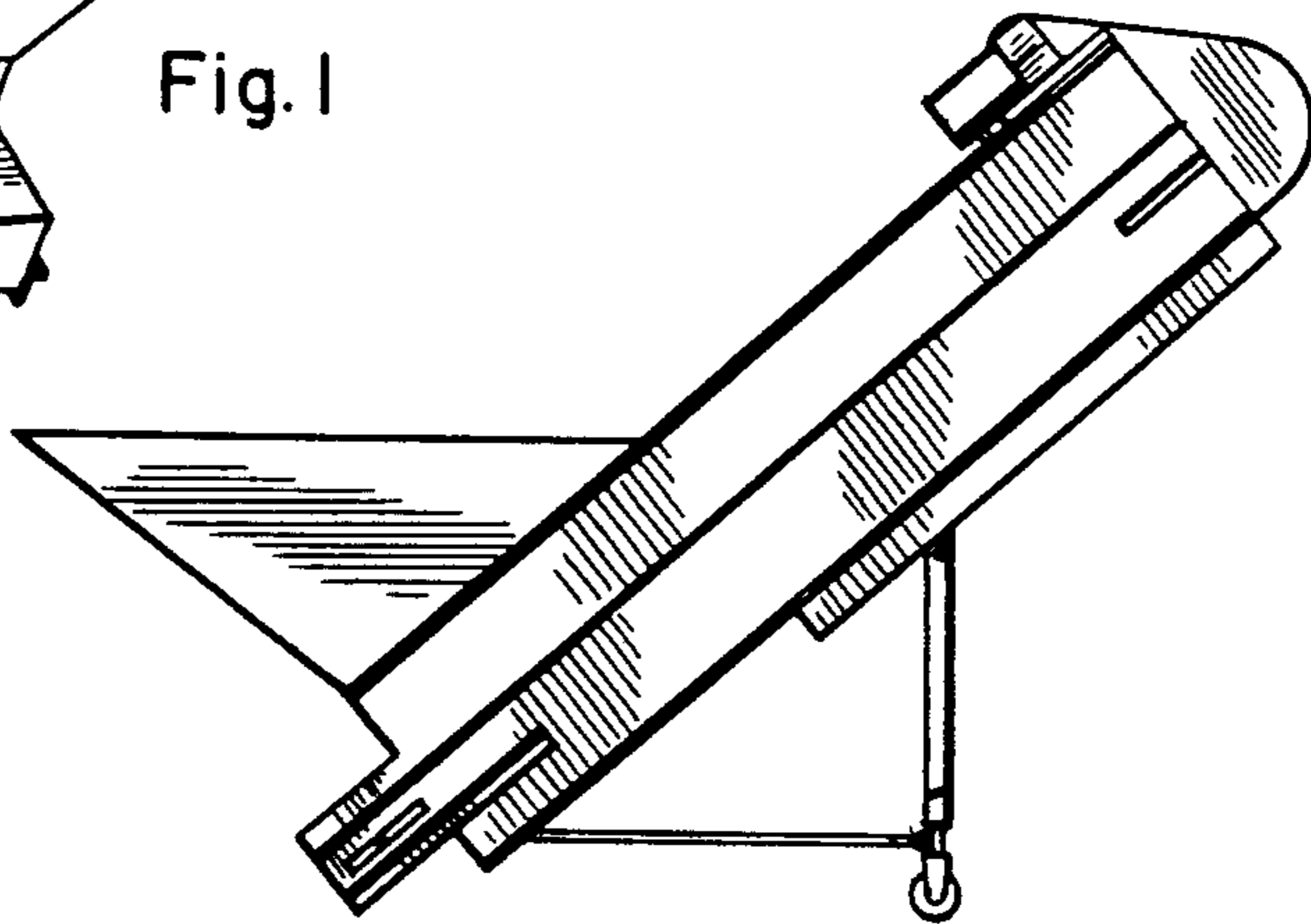


Fig. 2

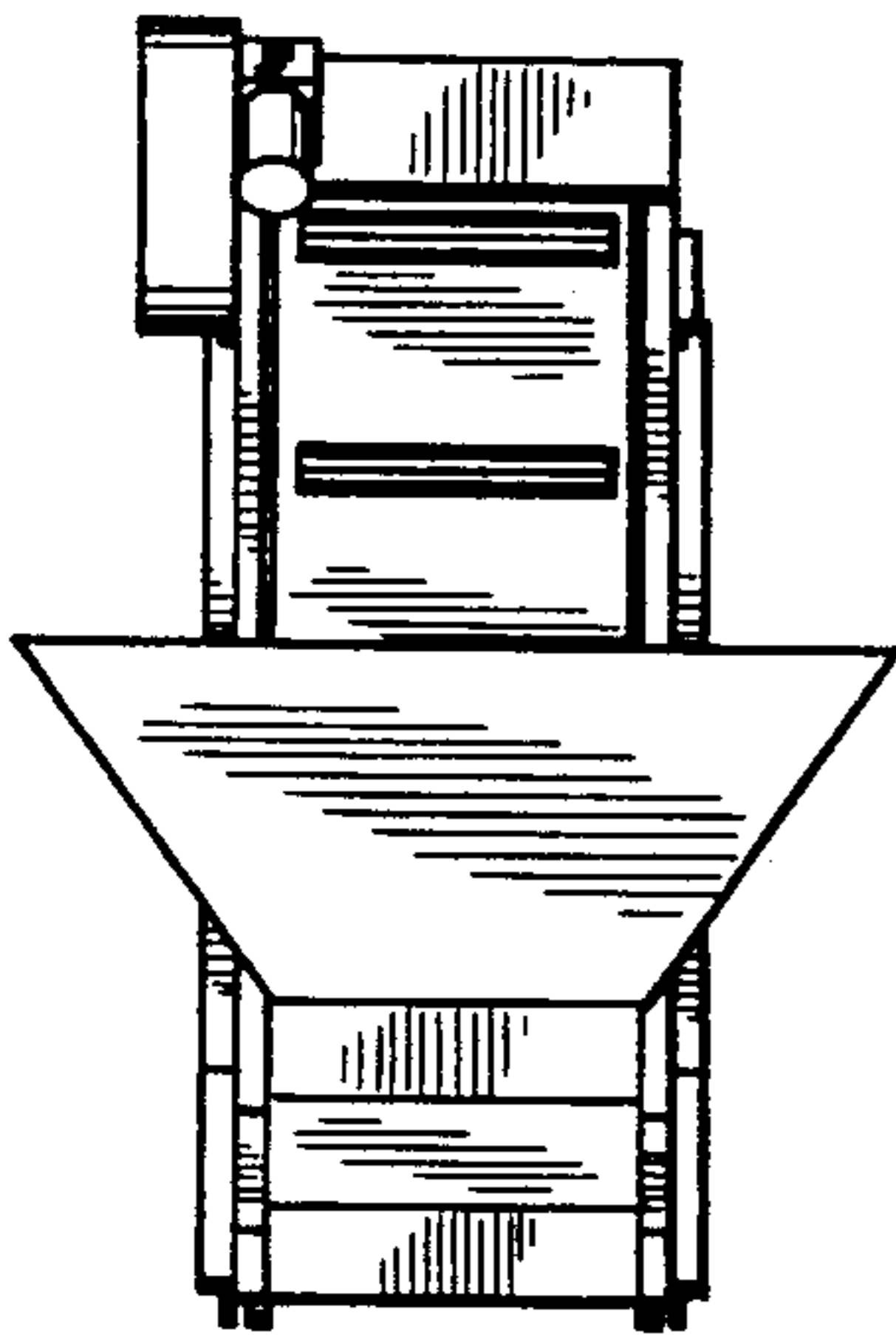


Fig. 3

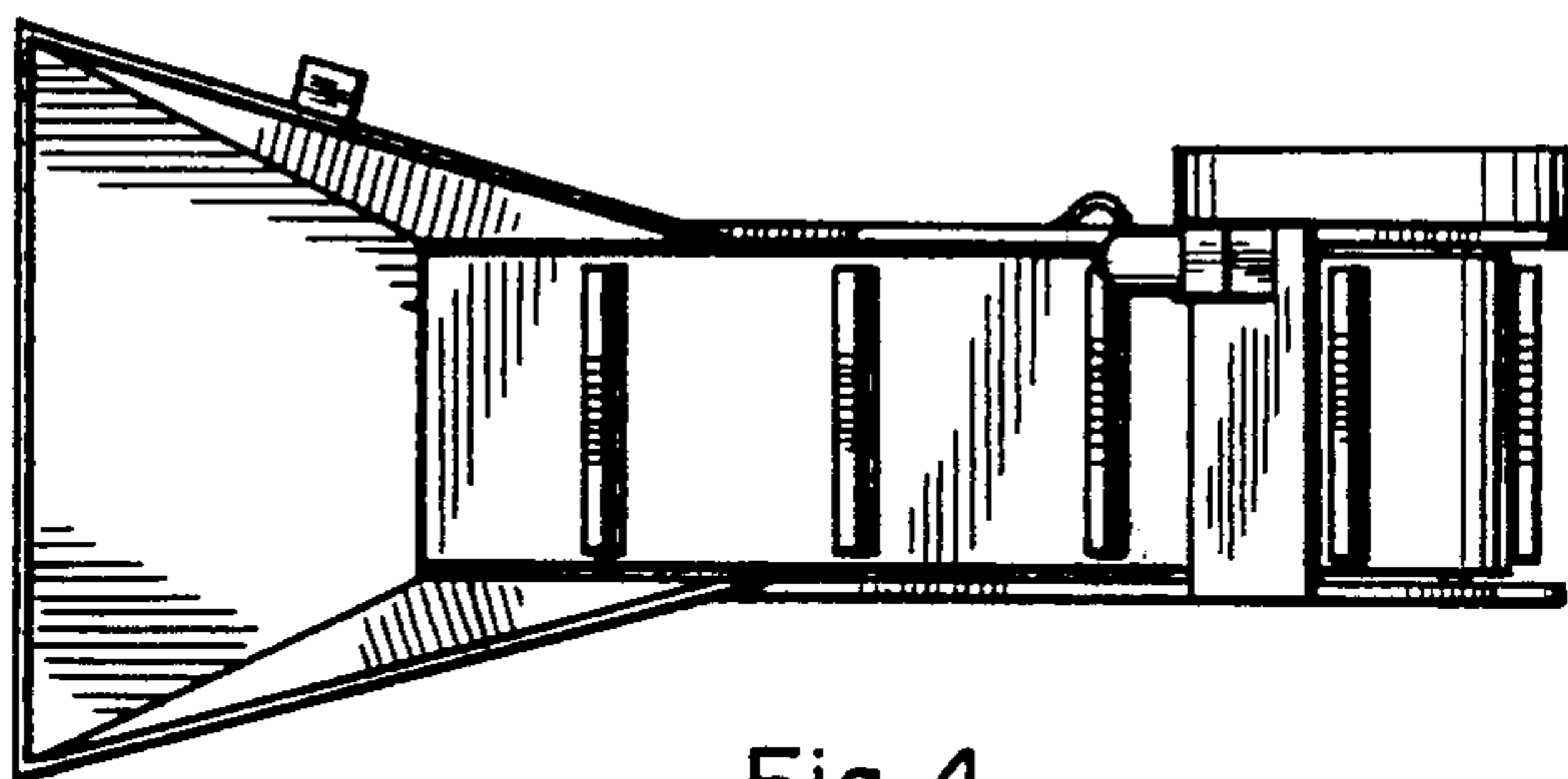


Fig. 4

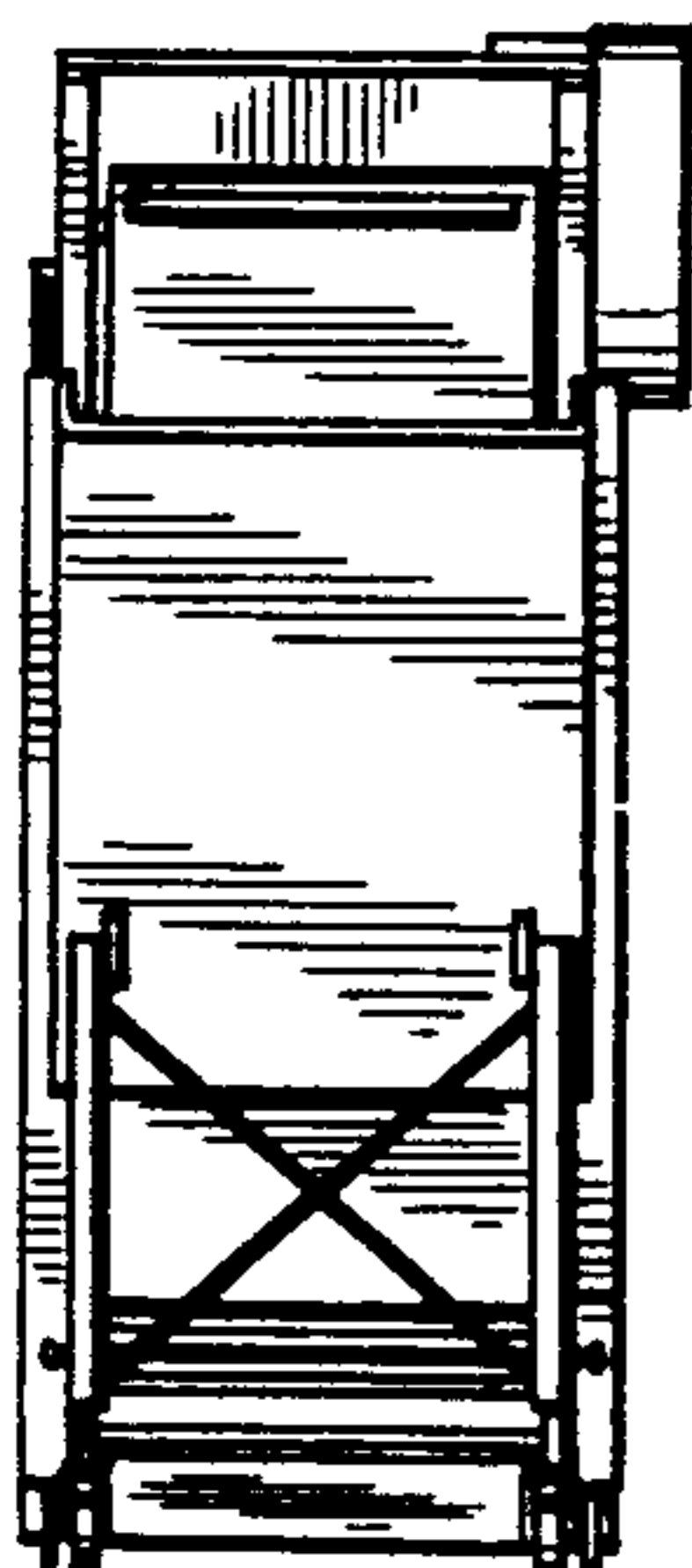


Fig. 5