

[54] VEHICULAR TWO-WAY RADIO OR SIMILAR ARTICLE

[75] Inventor: Albert L. Nagele, Wilmette, Ill.

[73] Assignee: Motorola, Inc., Schaumburg, Ill.

[**] Term: 14 Years

[21] Appl. No.: 21,525

[22] Filed: Mar. 19, 1979

[51] Int. Cl. D14-03

[52] U.S. Cl. D14/68; D14/7

[58] Field of Search D14/1, 5-7, D14/68, 70-76, 96, 99

[56] References Cited

U.S. PATENT DOCUMENTS

- D. 221,555 8/1971 Krolopp D14/68
- D. 250,710 1/1979 Yasuoka D14/7

D. 251,730 5/1979 Root et al. D17/7 X

OTHER PUBLICATIONS

Home Furnishings Daily, 5-30-73, p. 14, Hitachi Receiver.

Primary Examiner—Jane E. Corrigan
Attorney, Agent, or Firm—Rolland R. Hackbart; James W. Gillman

[57] CLAIM

The ornamental design for a vehicular two-way radio or similar article, substantially as shown and described.

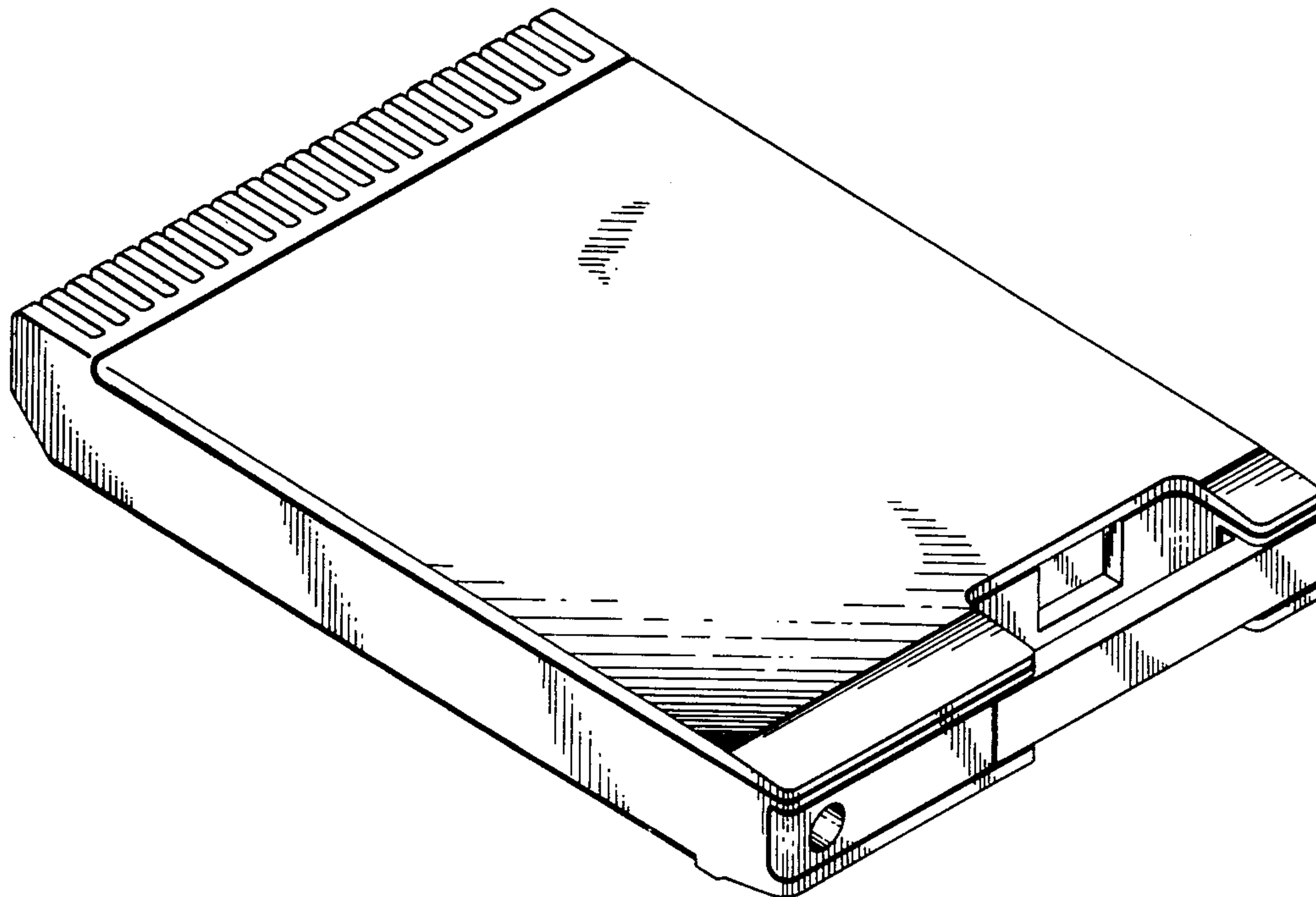
DESCRIPTION

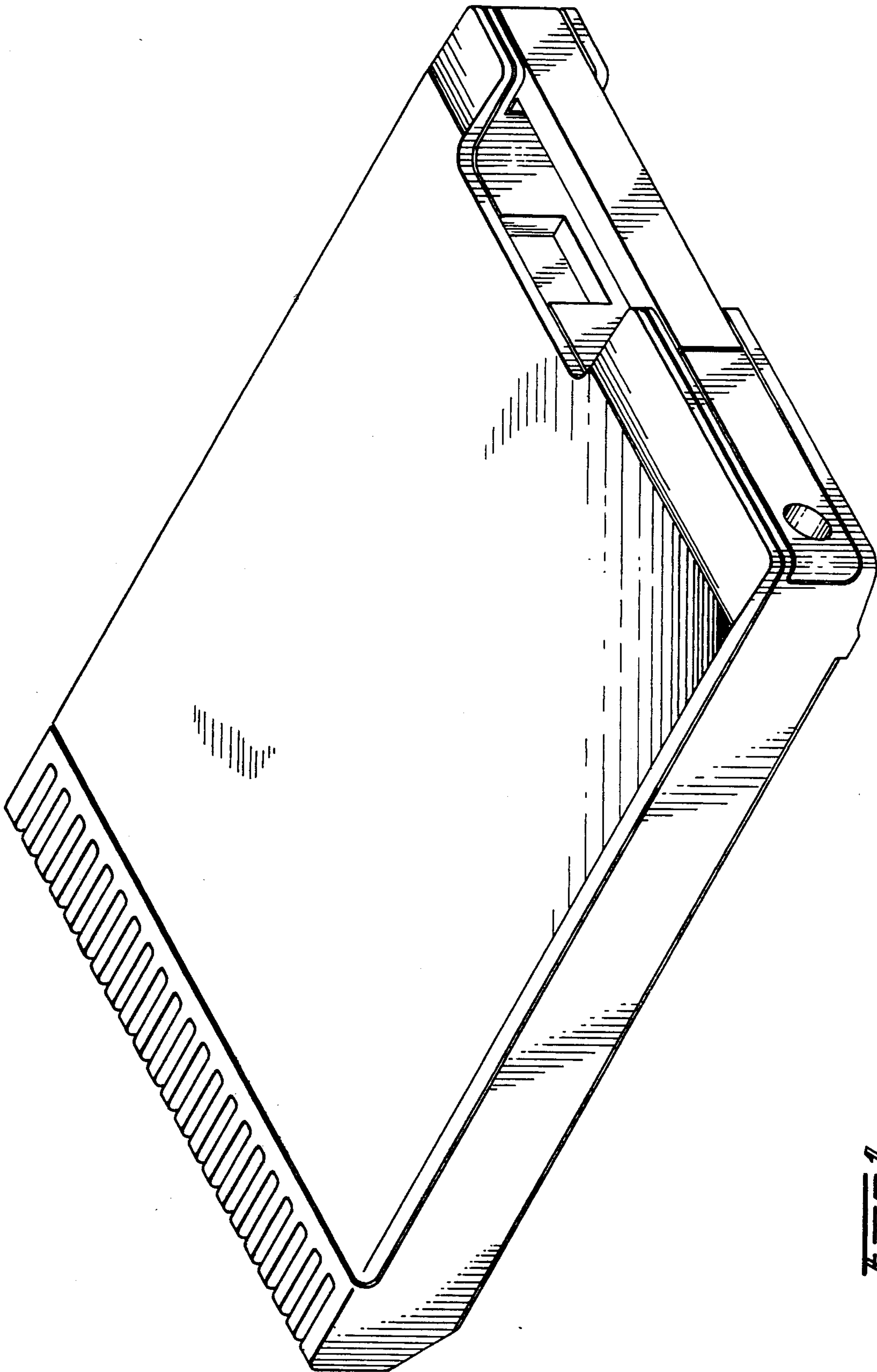
FIG. 1 is a front, top and left side perspective view of a vehicular two-way radio or similar article showing my new design.

FIG. 2 is a right side elevational view thereof;

FIG. 3 is a rear elevational view thereof; and

FIG. 4 is a bottom plan view thereof.





DES. 259,787

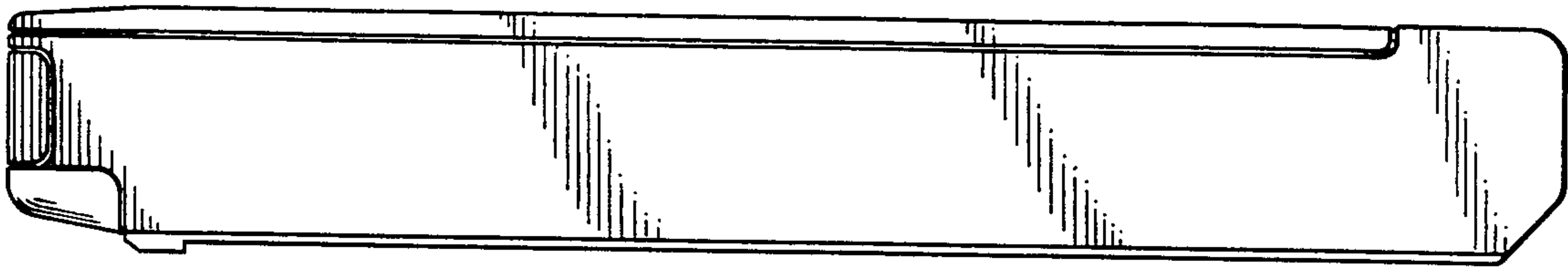


Fig. 2

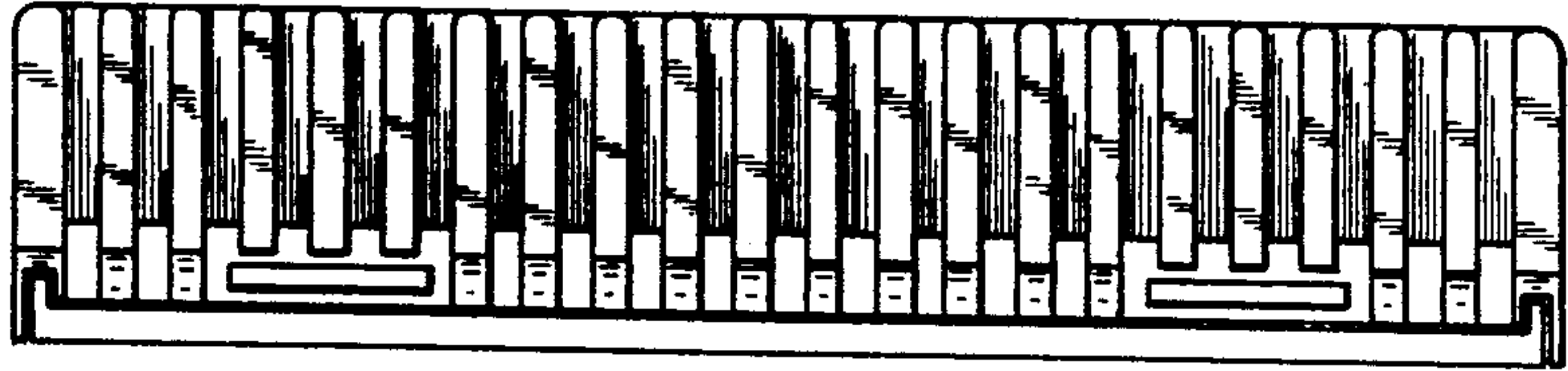


Fig. 3

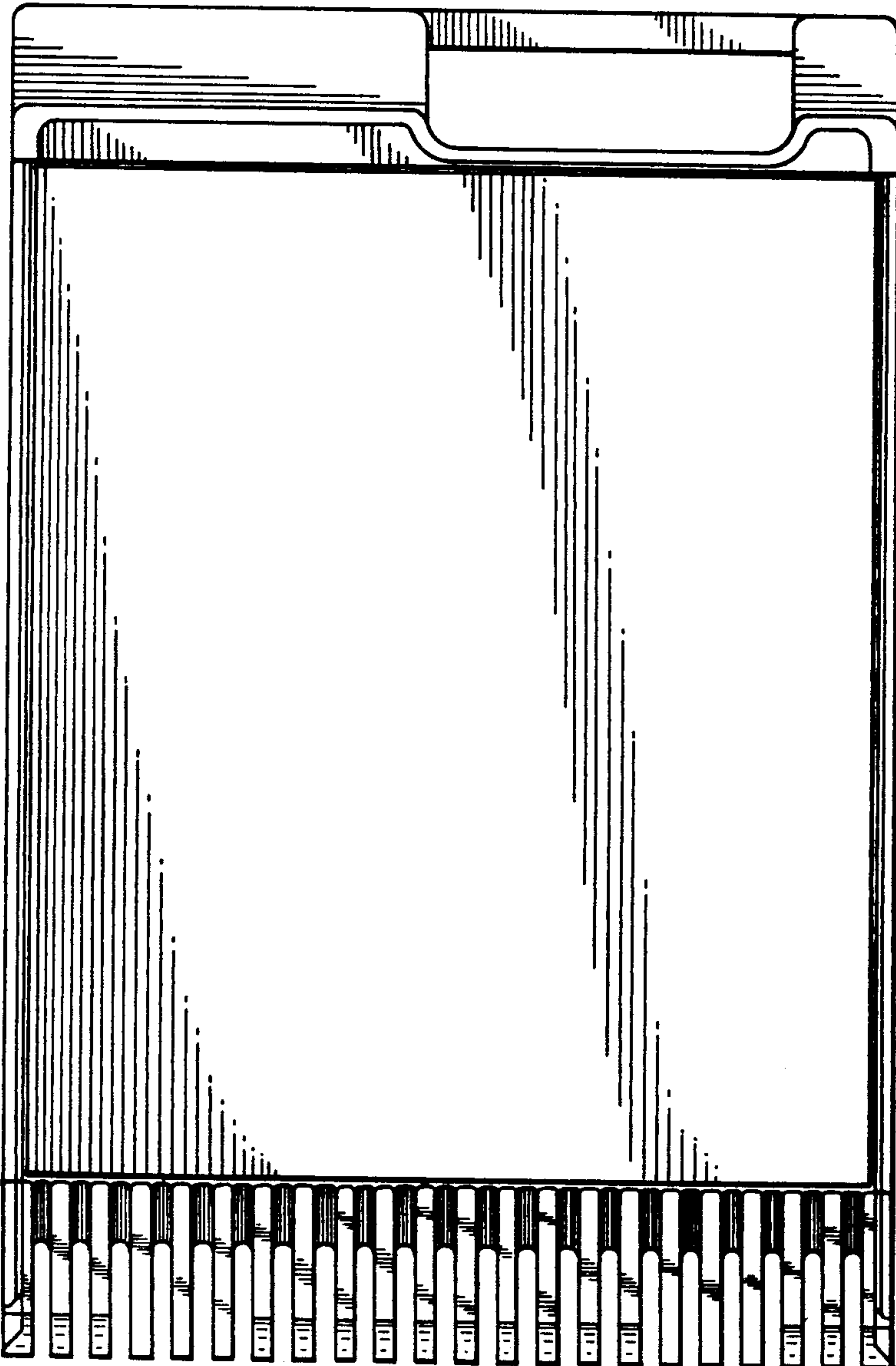


Fig. 4