

[54] BOAT ANCHOR

[76] Inventor: Huntly S. Holmes, 103B, Dexter, Me. 04930

[**] Term: 14 Years

[21] Appl. No.: 896,922

[22] Filed: Apr. 17, 1978

[51] Int. Cl. D12-16

[52] U.S. Cl. D12/215

[58] Field of Search D12/215; 114/304, 306, 114/309, 310

[56] References Cited

U.S. PATENT DOCUMENTS

3,030,907 4/1962 Rosselle D12/215 X
3,101,694 8/1963 Wood, Jr. D12/215 X

OTHER PUBLICATIONS

Popular Science Monthly, Jul. 1957, p. 175, Anchor on page.

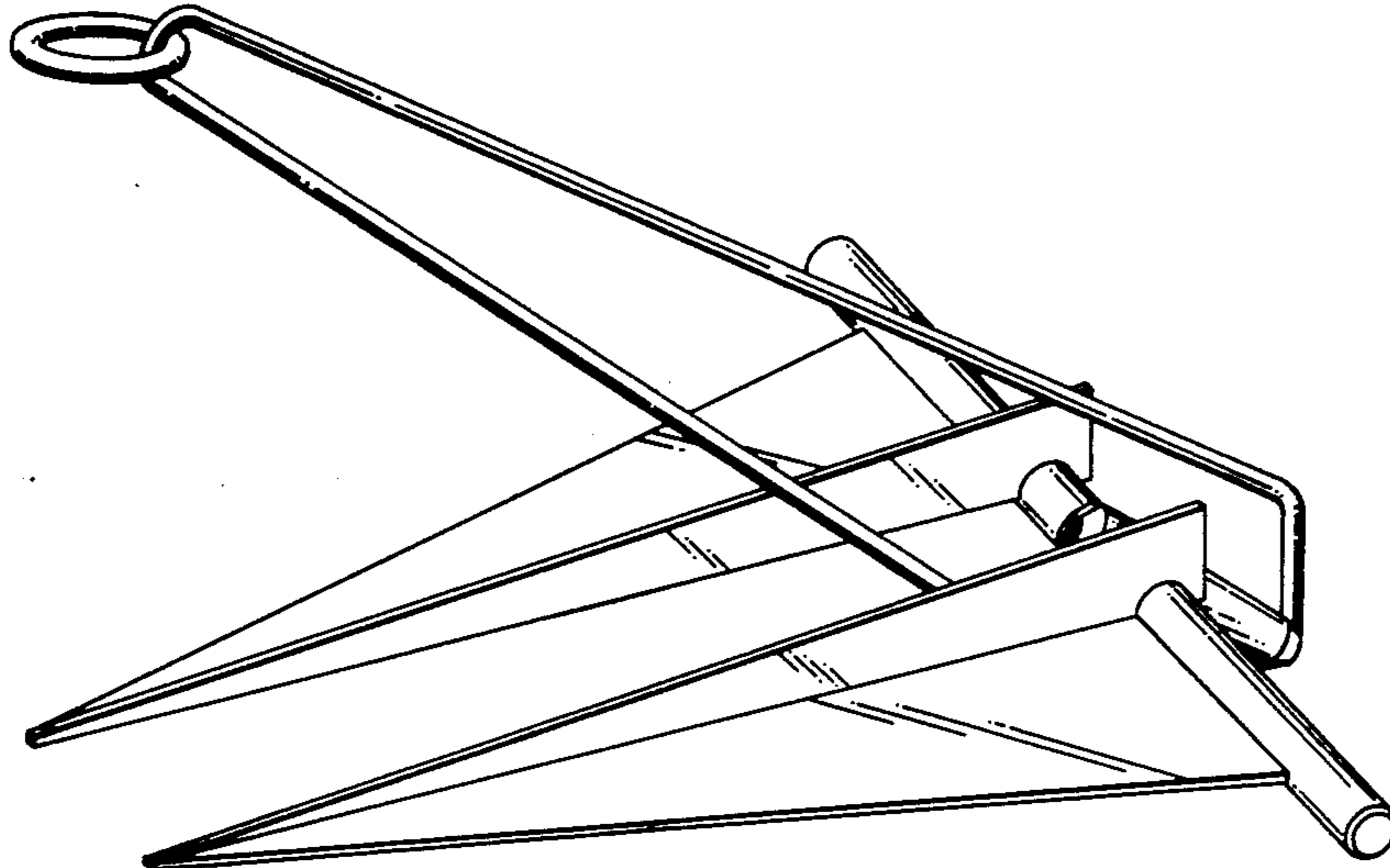
Primary Examiner—Alan P. Douglas
Attorney, Agent, or Firm—Prutzman, Kalb, Chilton & Alix

[57] CLAIM

The ornamental design for a boat anchor, substantially as shown and described.

DESCRIPTION

FIG. 1 is a perspective view of a boat anchor showing my new design;
FIG. 2 is a top plan view thereof;
FIG. 3 is a front elevational view thereof;
FIG. 4 is a left end view thereof;
FIG. 5 is a right end view thereof;
FIG. 6 is a bottom plan view thereof; and
FIG. 7 is an enlarged fragmentary top view thereof, showing the shank of the boat anchor.



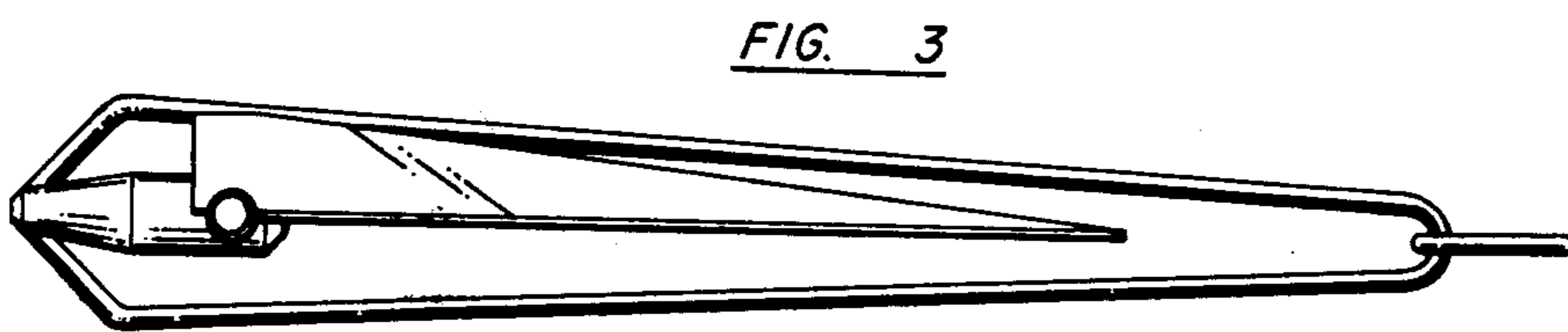
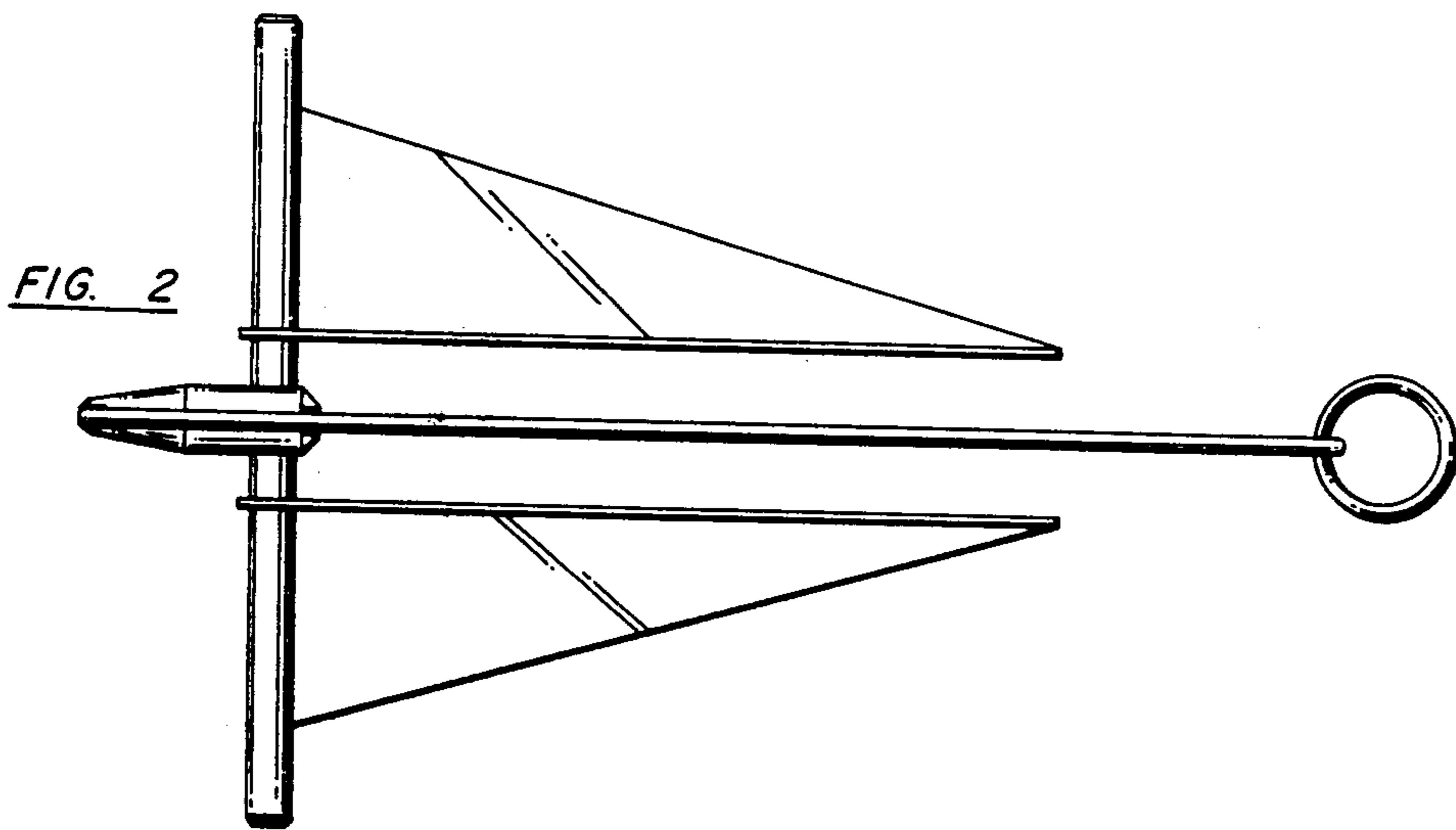
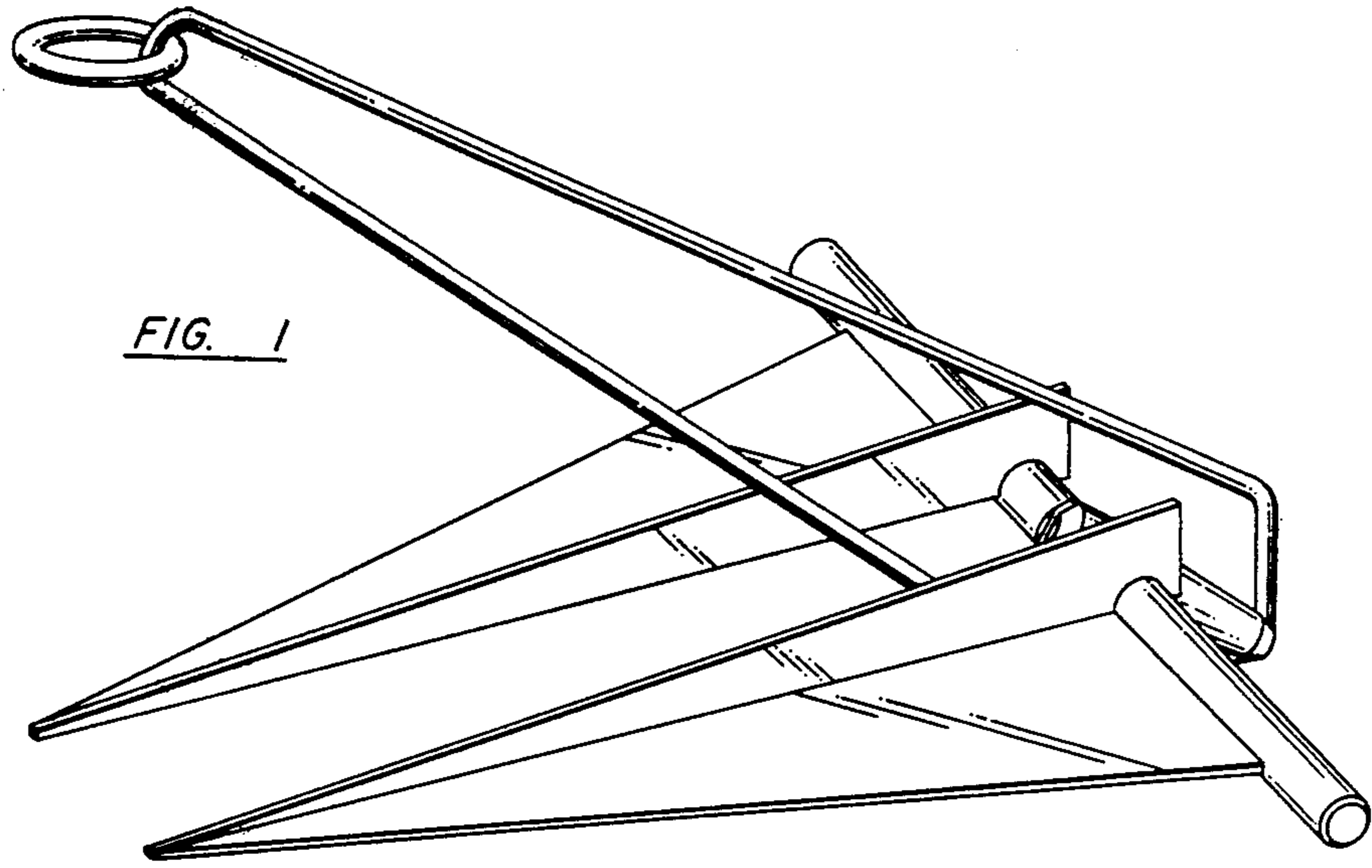


FIG. 4

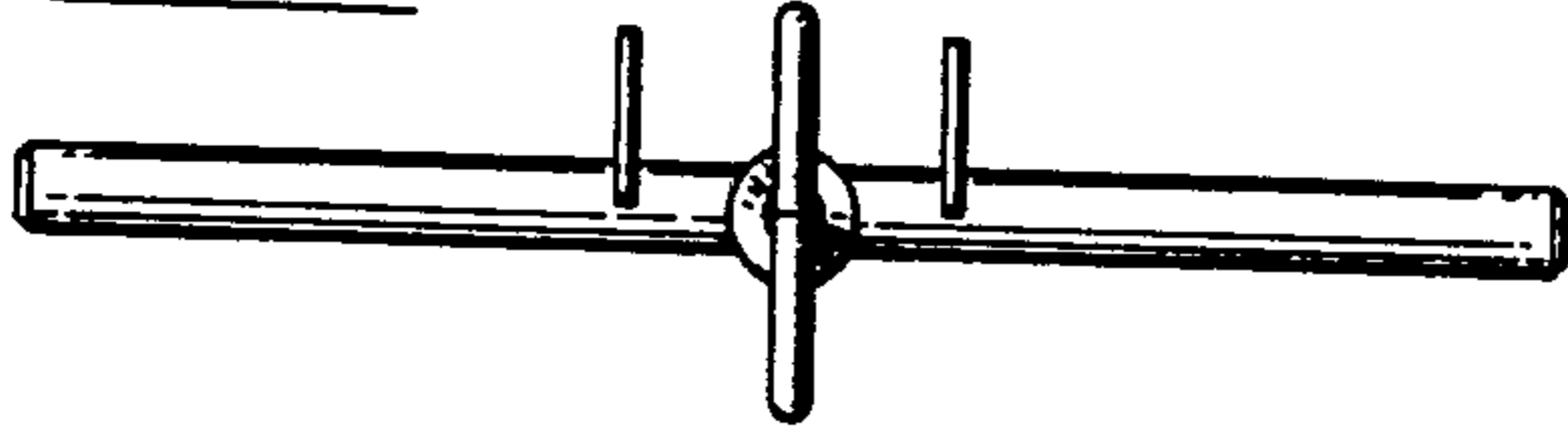


FIG. 5

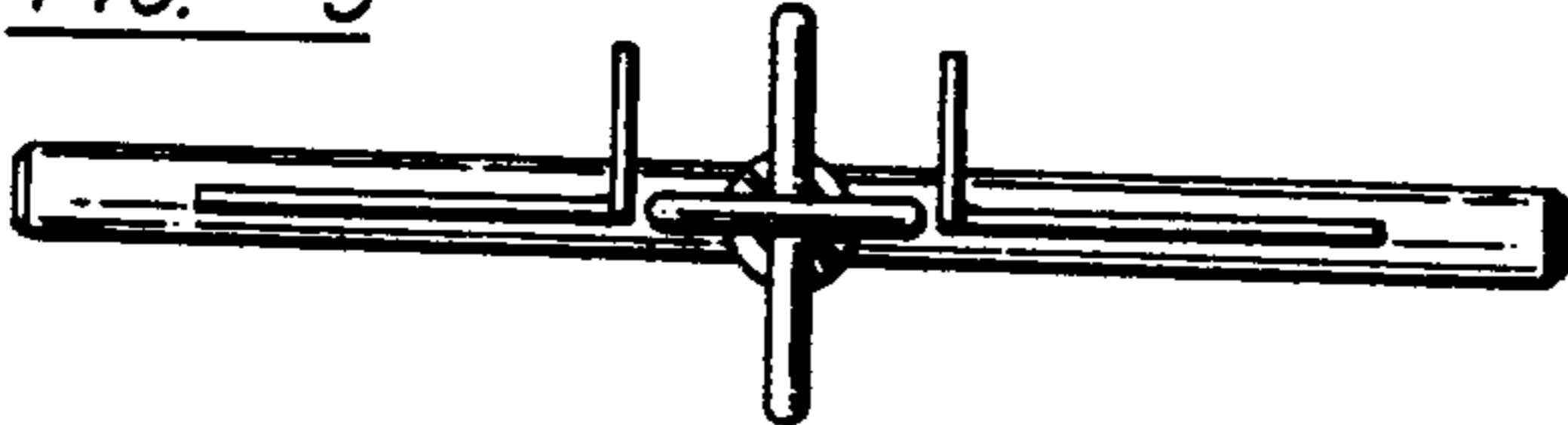


FIG. 6

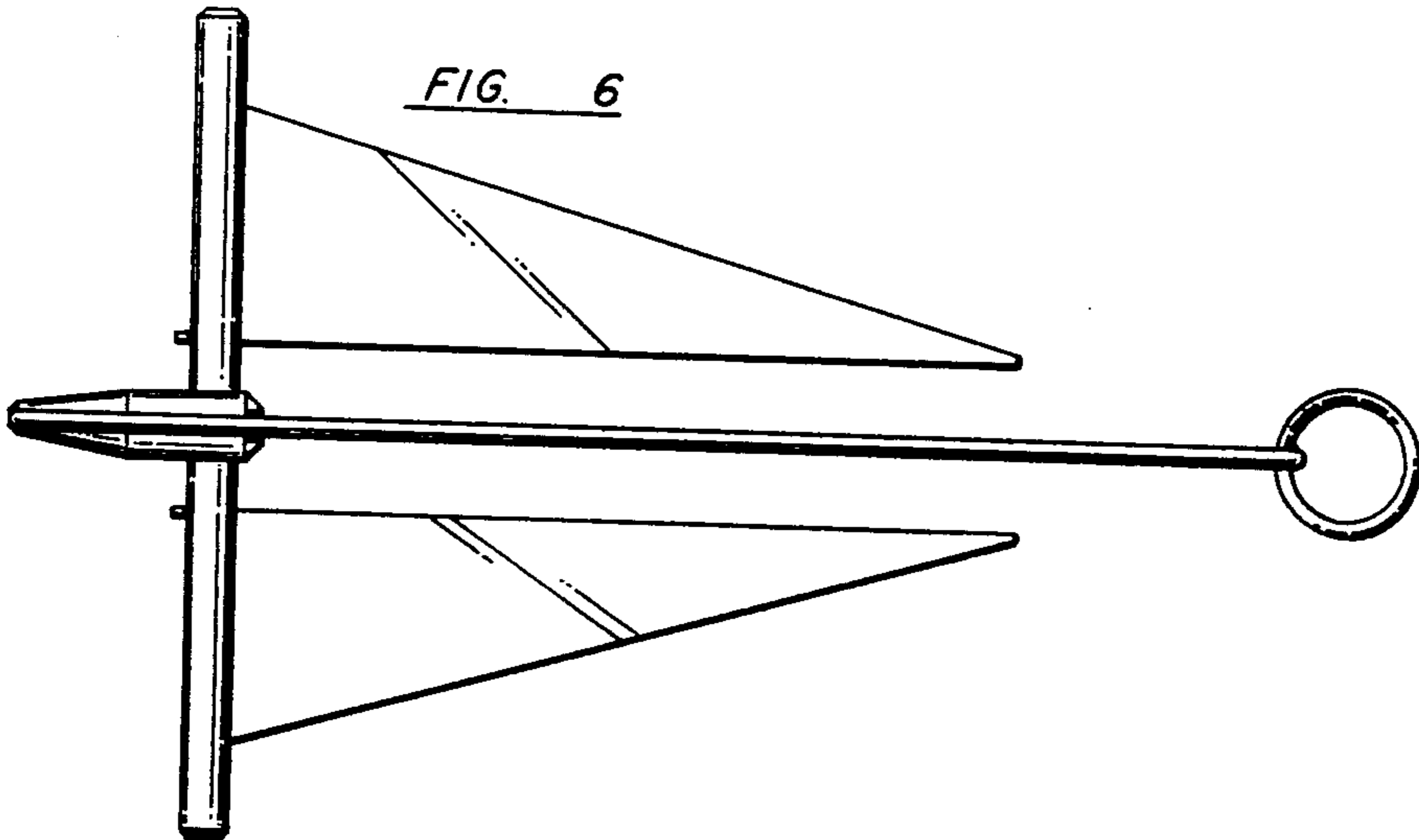


FIG. 7

