

[54] MOTORCYCLE LUGGAGE CARRIER

[75] Inventor: William G. Davidson, Elm Grove, Wis.

[73] Assignee: AMF Incorporated, White Plains, N.Y.

[**] Term: 14 Years

[21] Appl. No.: 66,995

[22] Filed: Aug. 16, 1979

[51] Int. Cl. D12-11

[52] U.S. Cl. D12/158

[58] Field of Search D12/158; 224/32 A, 32 R, 224/31

[56] References Cited

PUBLICATIONS

J. C. Whitney Catalog No. 366F, ©1977, p. 110, Cycle

Travel Trunks A & B, second box up from bottom right side of page.

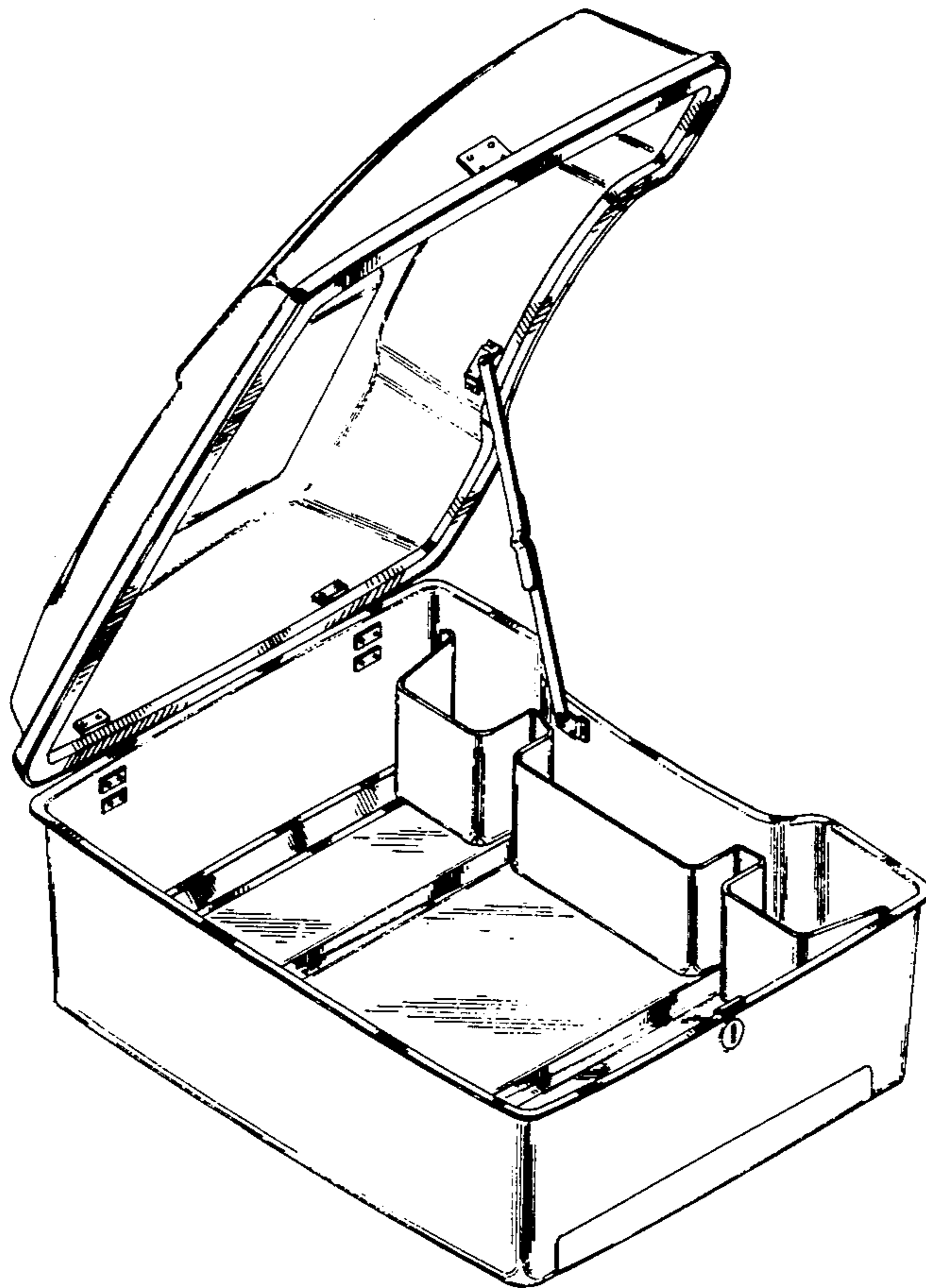
Primary Examiner—James M. Gandy
Attorney, Agent, or Firm—George W. Price; Walter Lewis

[57] CLAIM

The ornamental design for a motorcycle luggage carrier, as shown and described.

DESCRIPTION

FIG. 1 is a top plan view of a motorcycle luggage carrier showing my new design;
FIG. 2 is a front elevational view thereof;
FIG. 3 is a bottom plan view thereof;
FIG. 4 is a rear elevational view thereof;
FIG. 5 is a right side elevational view thereof;
FIG. 6 is a left side elevational view thereof; and
FIG. 7 is a perspective view thereof in open condition.



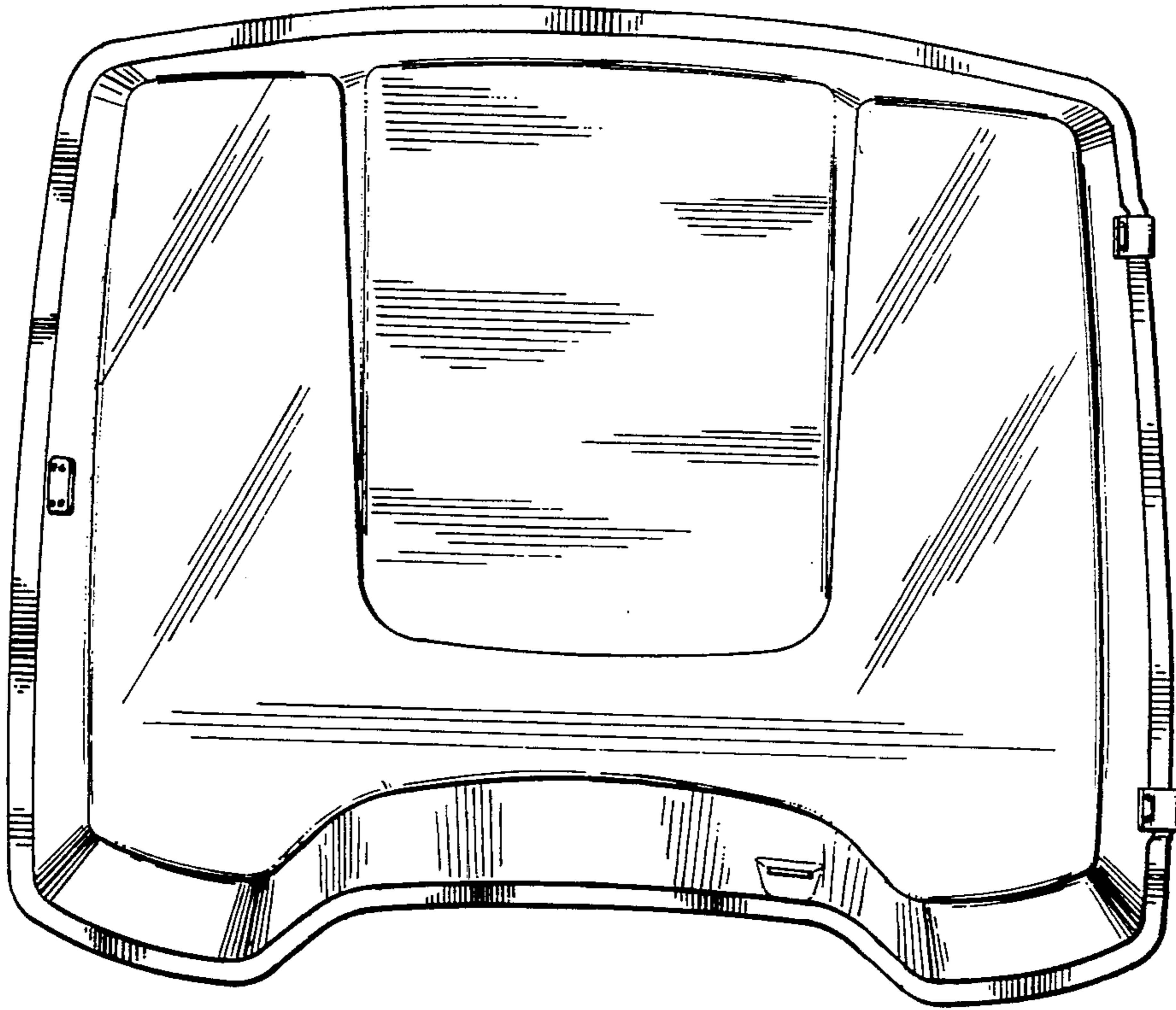


FIG. 1

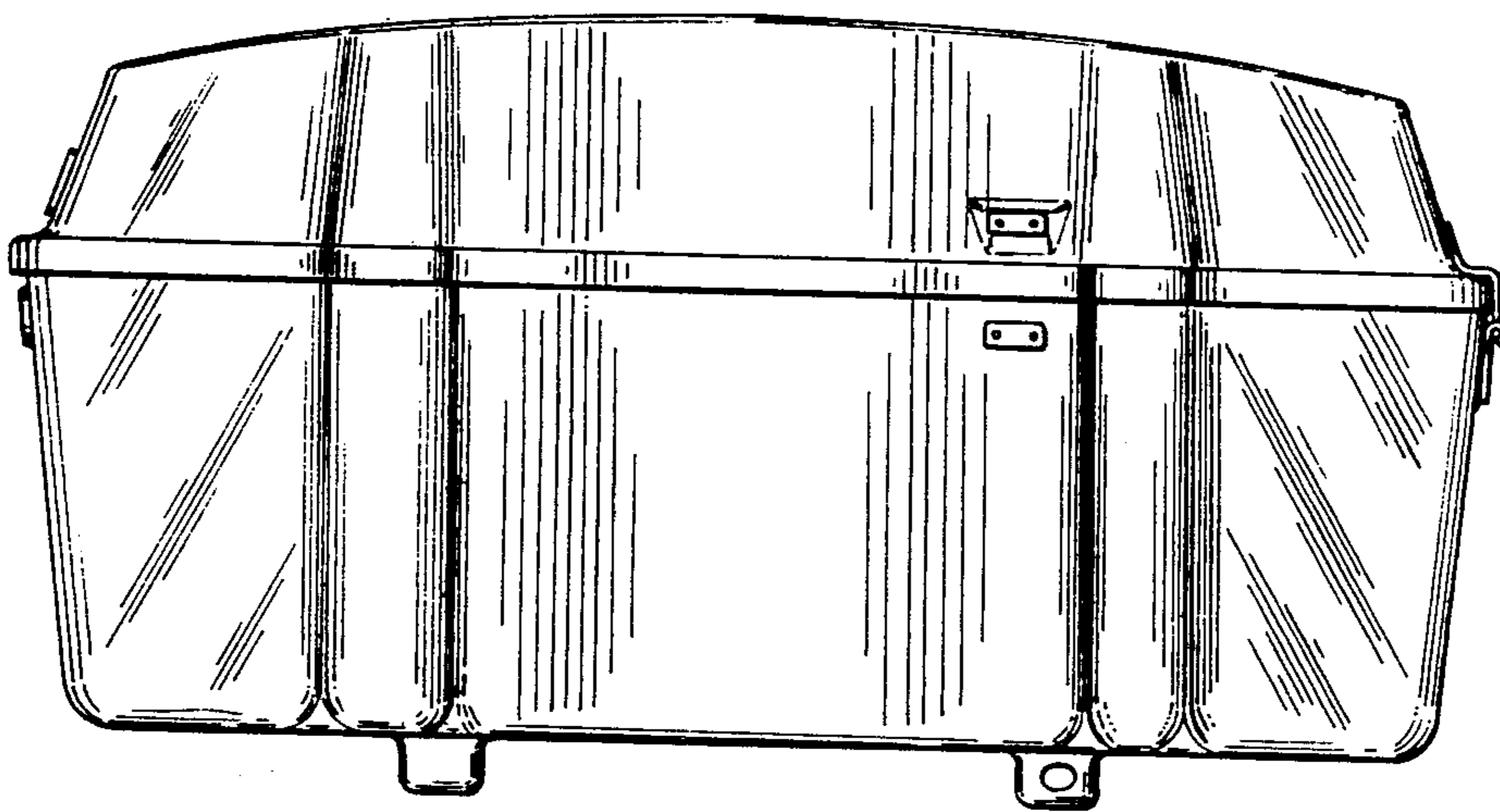


FIG. 2

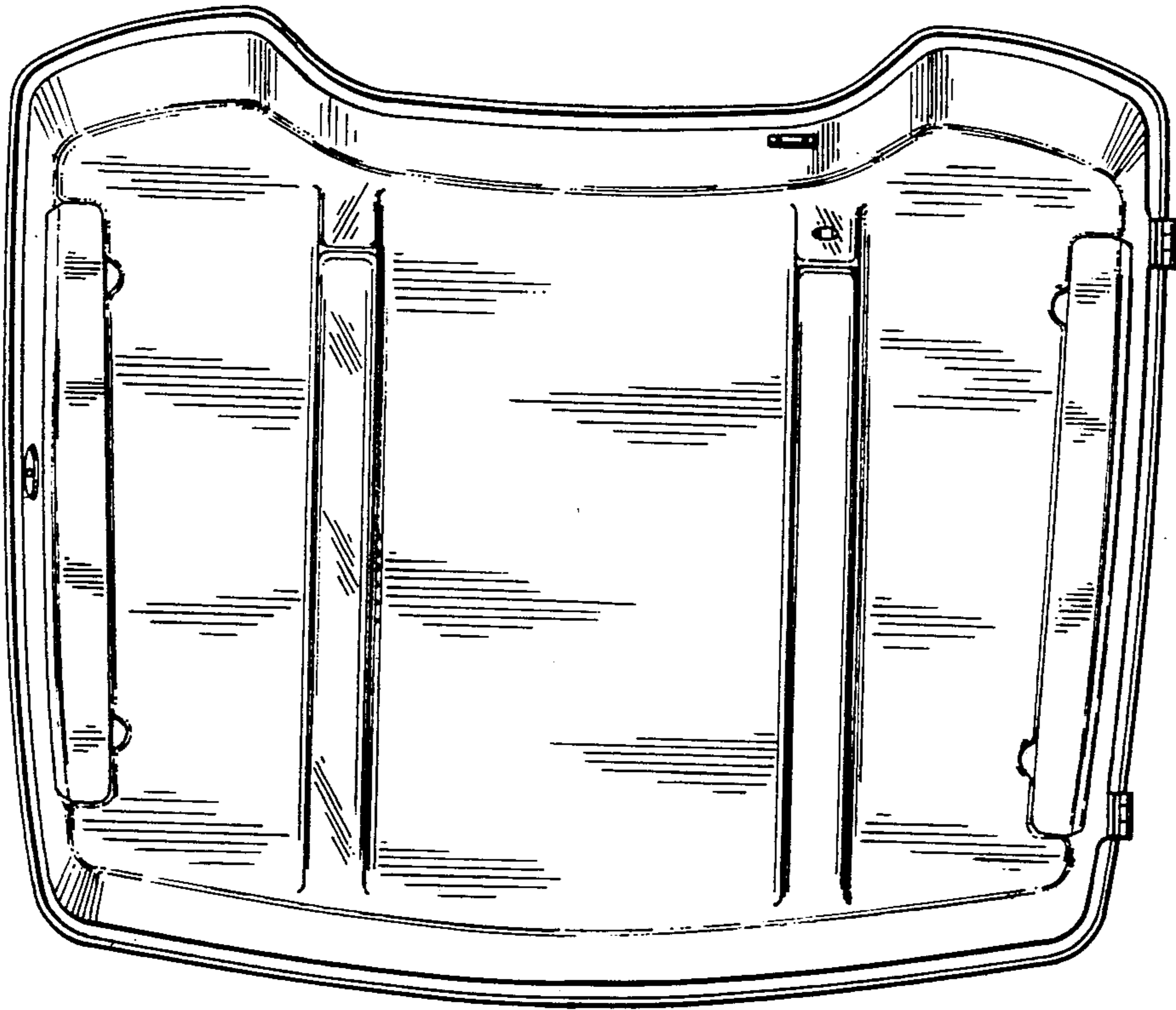


FIG. 3

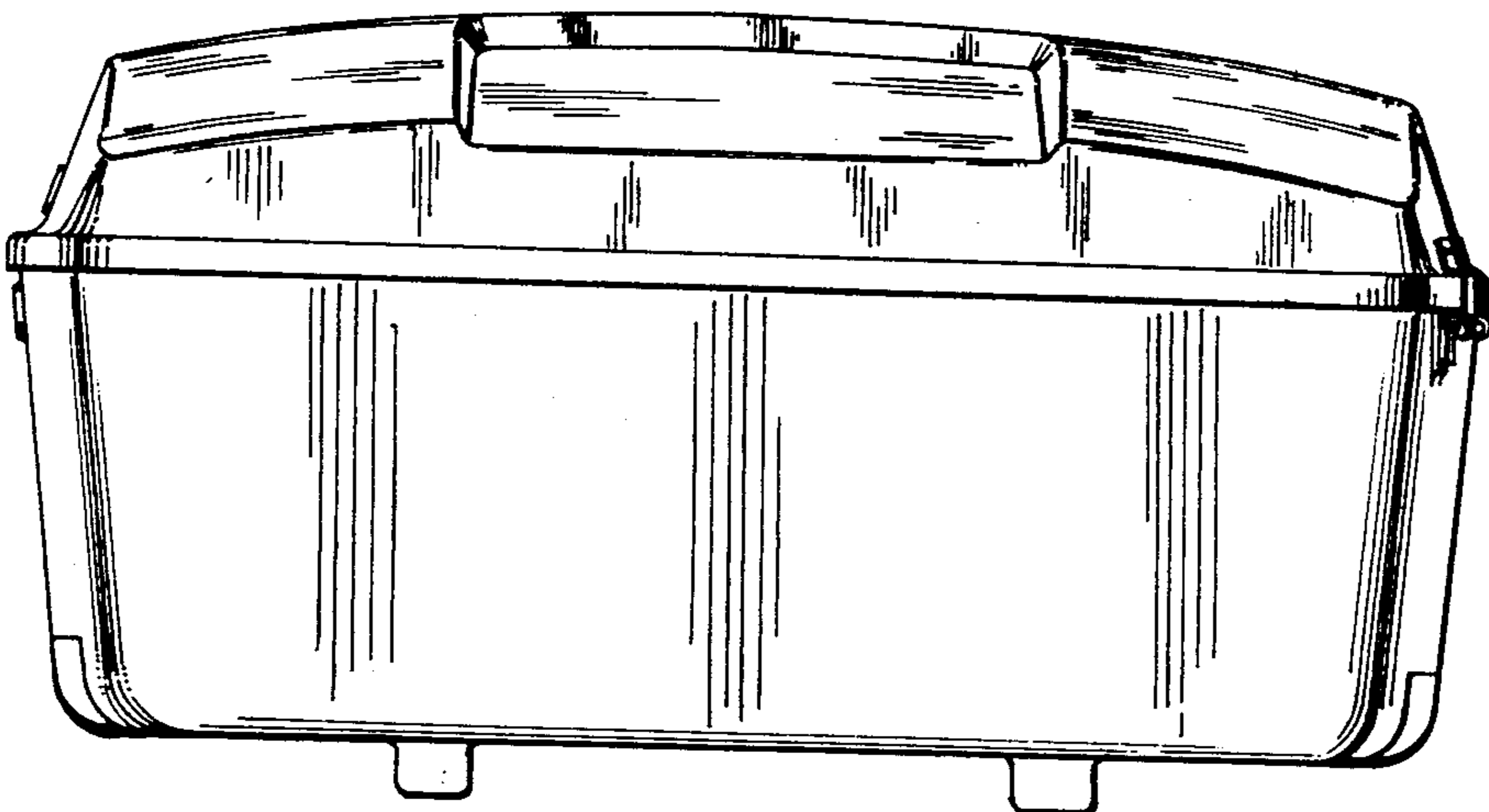


FIG. 4

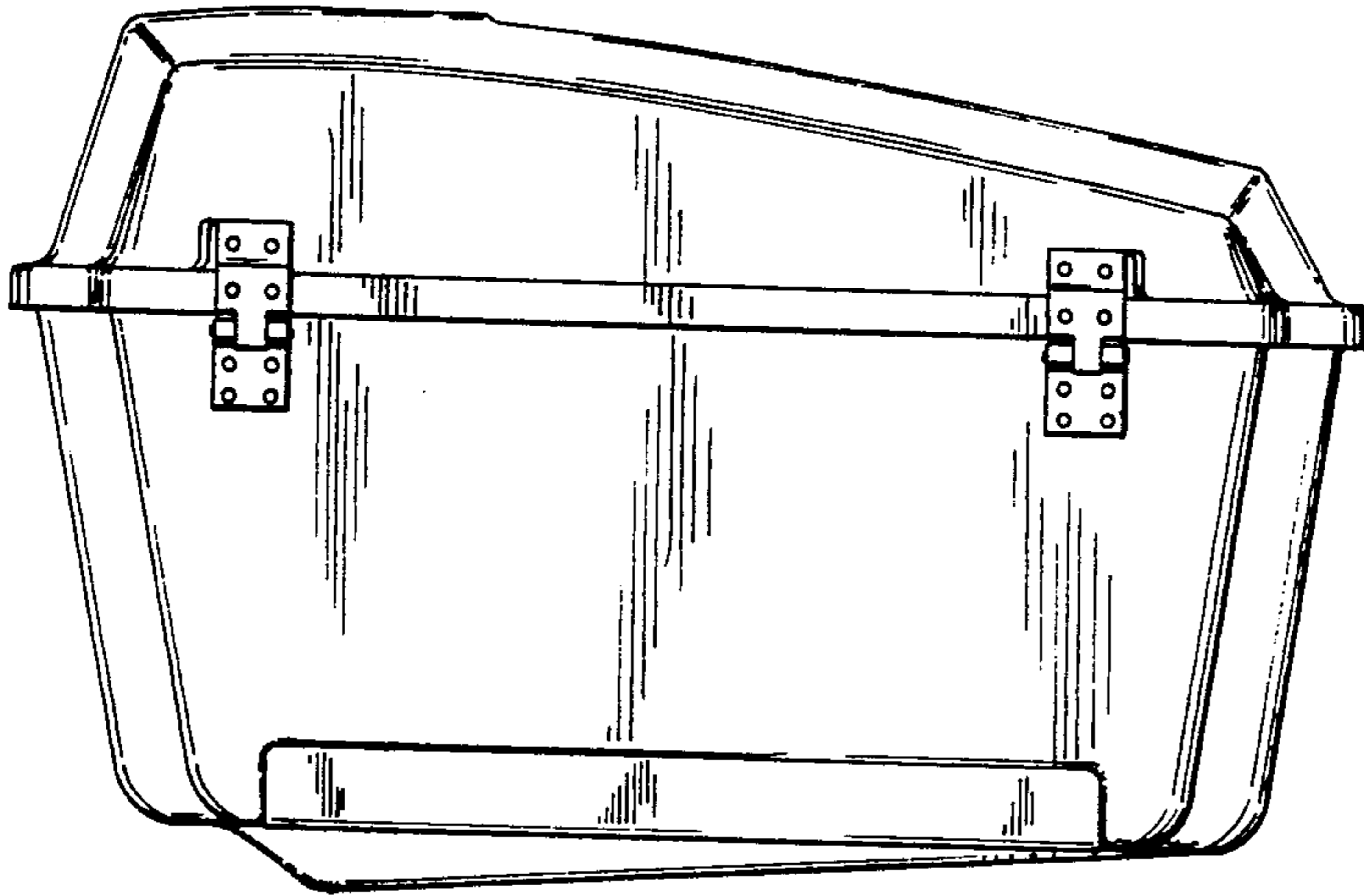


FIG. 5

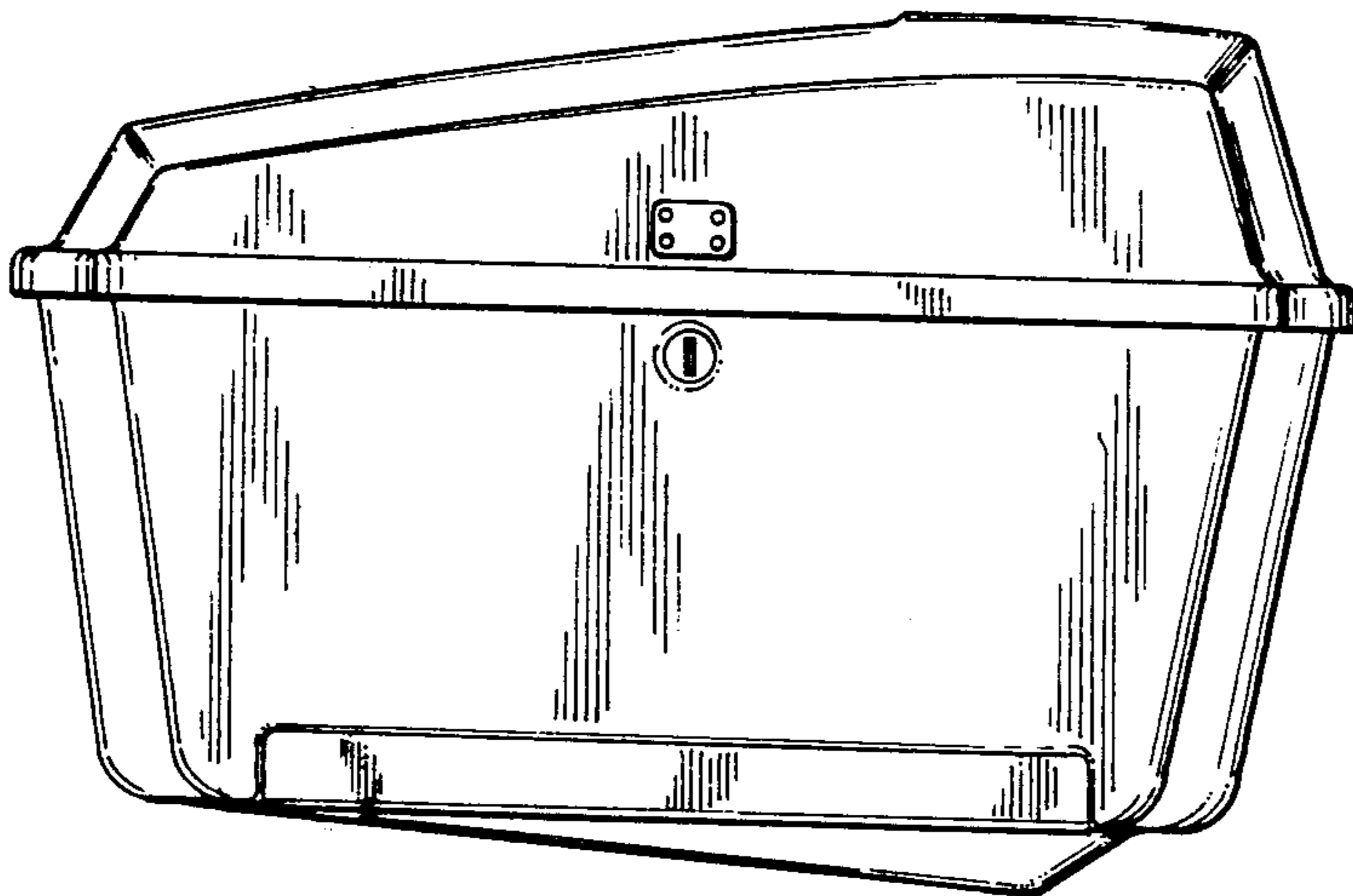


FIG. 6

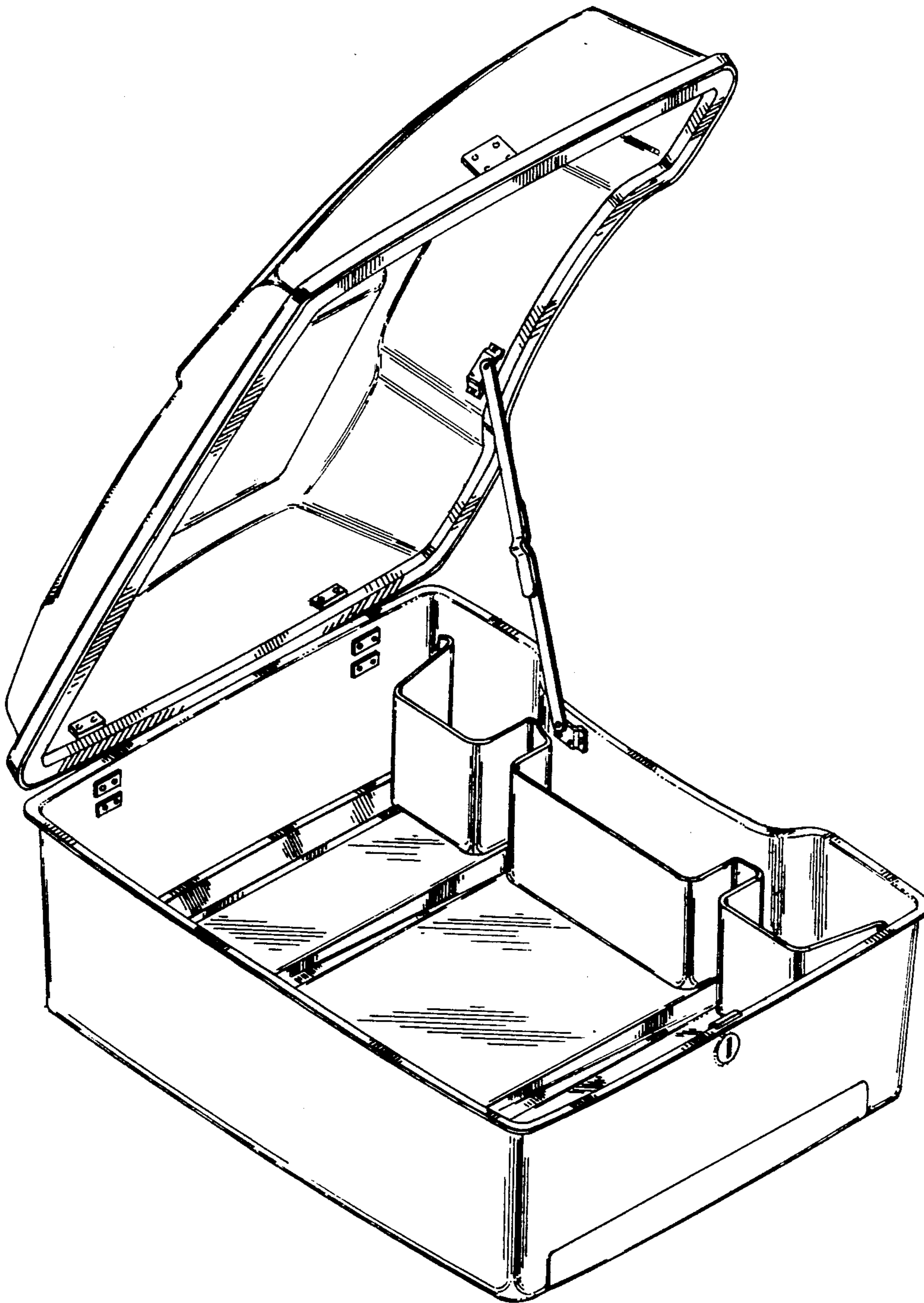


FIG. 7