

[54] **SELF-WATERING PLANT TRAY**

[75] **Inventor:** John E. Ehrreich, Wayland, Mass.

[73] **Assignee:** Ercon Corporation, Waltham, Mass.

[**] **Term:** 14 Years

[21] **Appl. No.:** 840,317

[22] **Filed:** Oct. 7, 1977

[51] **Int. Cl.** D11-02

[52] **U.S. Cl.** D11/155

[58] **Field of Search** D11/143-146,
D11/148, 152-156, 164; D7/4, 11, 13-15, 23,
29, 37, 188; 47/66, 69, 71, 72, 80, 83, 85-87, 41
R, 47, 41.11, 41.12, 41 SS; D9/219; D87/1 R

[56]

References Cited

U.S. PATENT DOCUMENTS

D. 212,437	10/1968	Paxton	D11/156
D. 218,629	9/1970	Hasselbach	D11/156
D. 229,329	11/1973	Jansen	D9/219
D. 229,708	12/1973	Dugan-Chapman	D7/37

Primary Examiner—B. J. Bullock

Attorney, Agent, or Firm—Robert A. Cesari; John F. McKenna; Andrew F. Kehoe

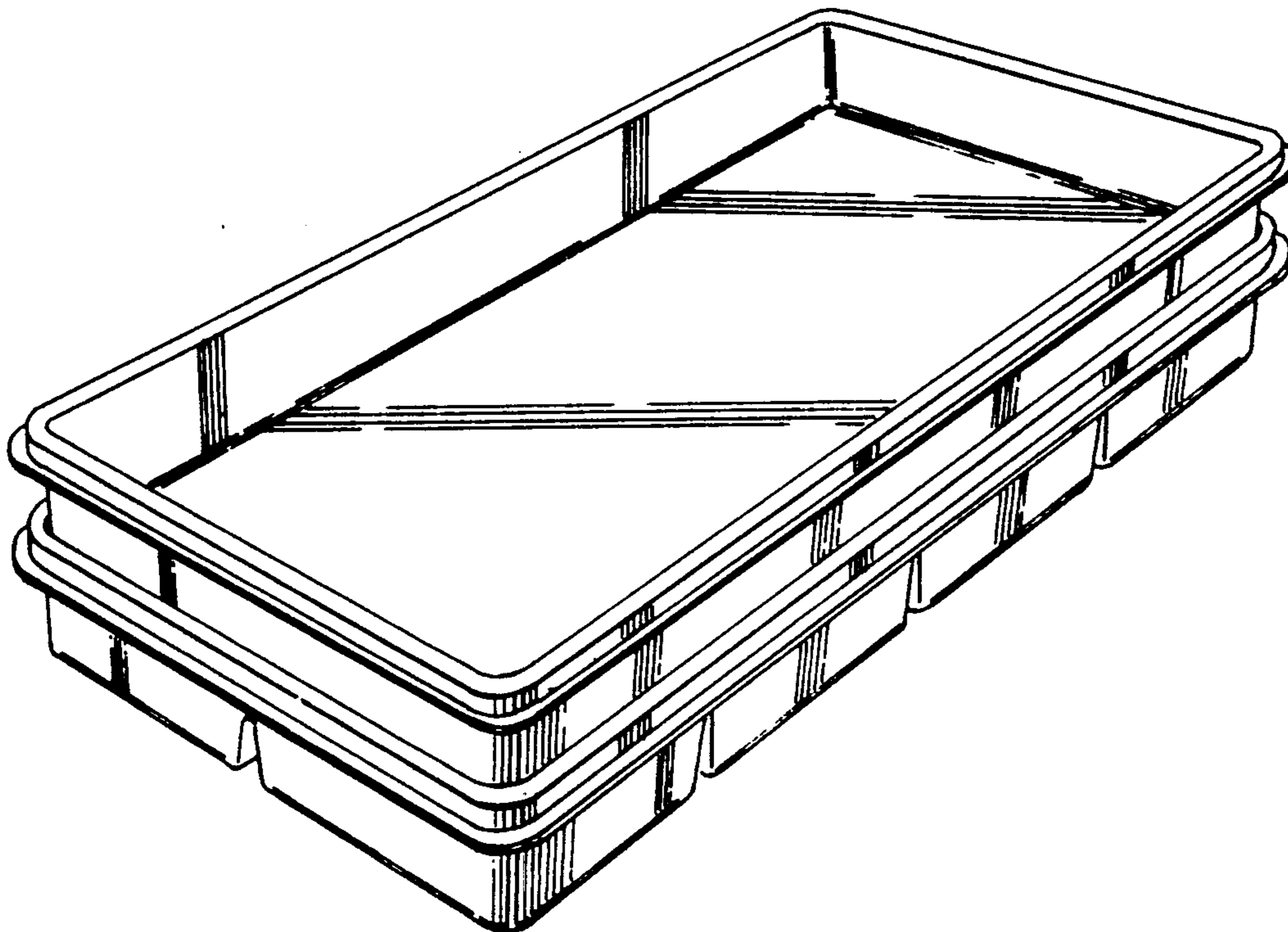
[57]

CLAIM

The ornamental design for a self-watering plant tray, substantially as shown and described.

DESCRIPTION

FIG. 1 is a reduced perspective view of a self-watering plant tray showing my new design;
FIG. 2 is a side elevational view thereof;
FIG. 3 is an end elevational view thereof;
FIG. 4 is an enlarged bottom perspective view thereof.



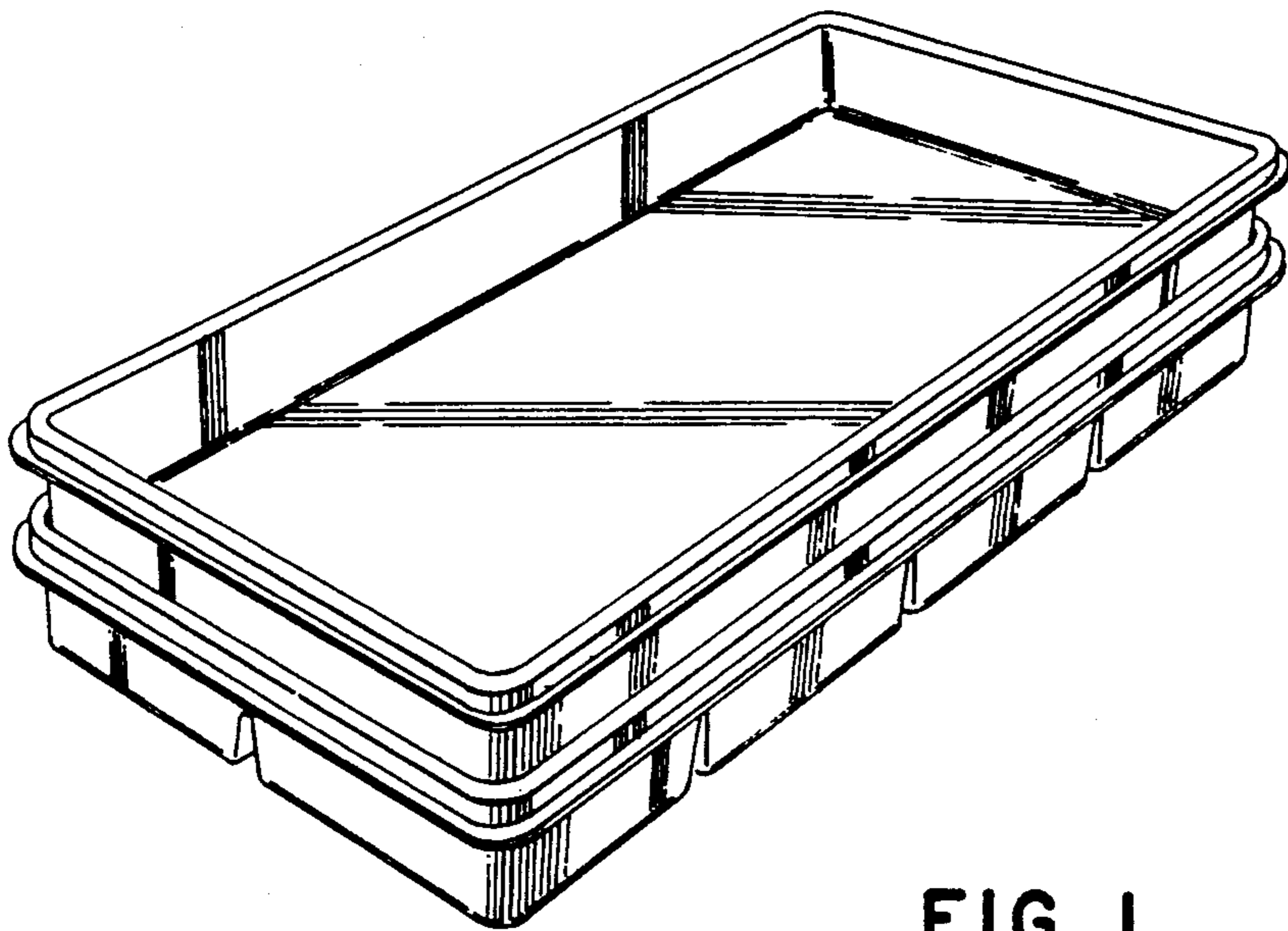


FIG. 1

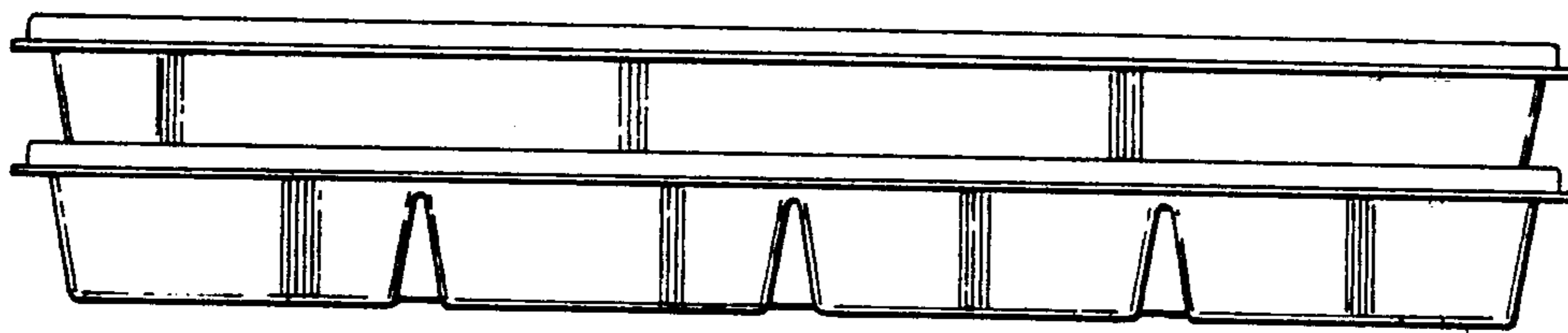


FIG. 2

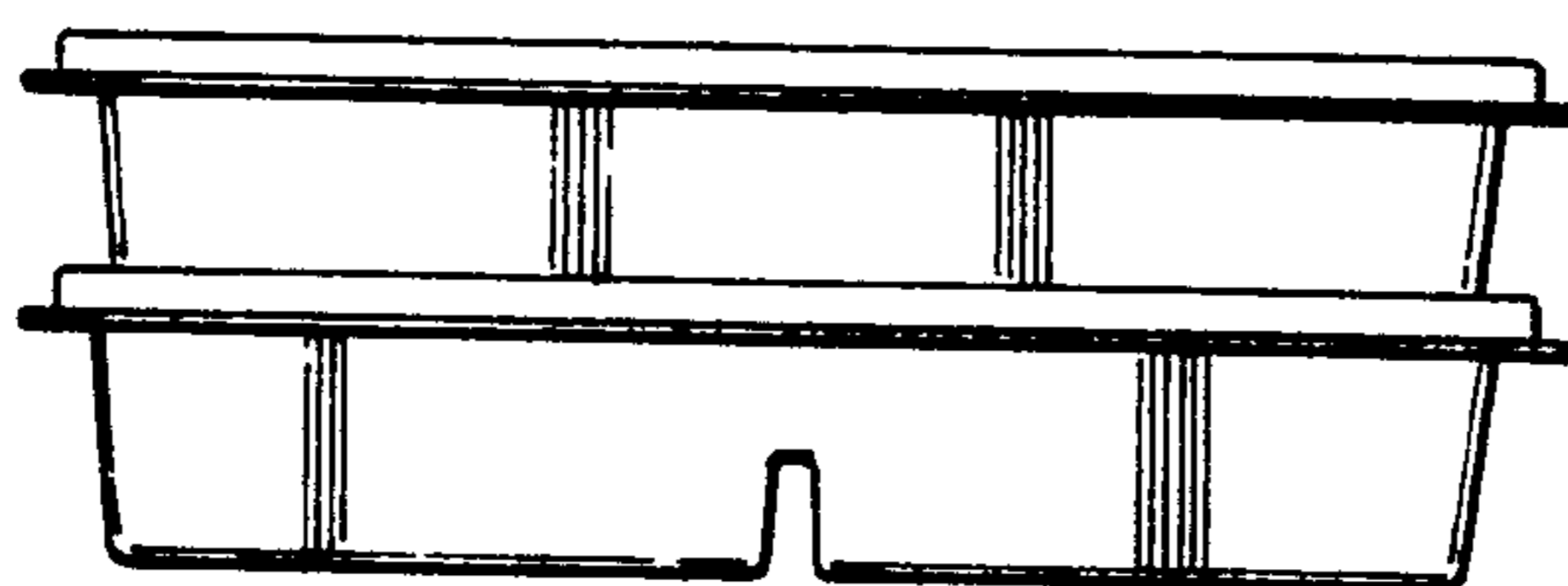


FIG. 3

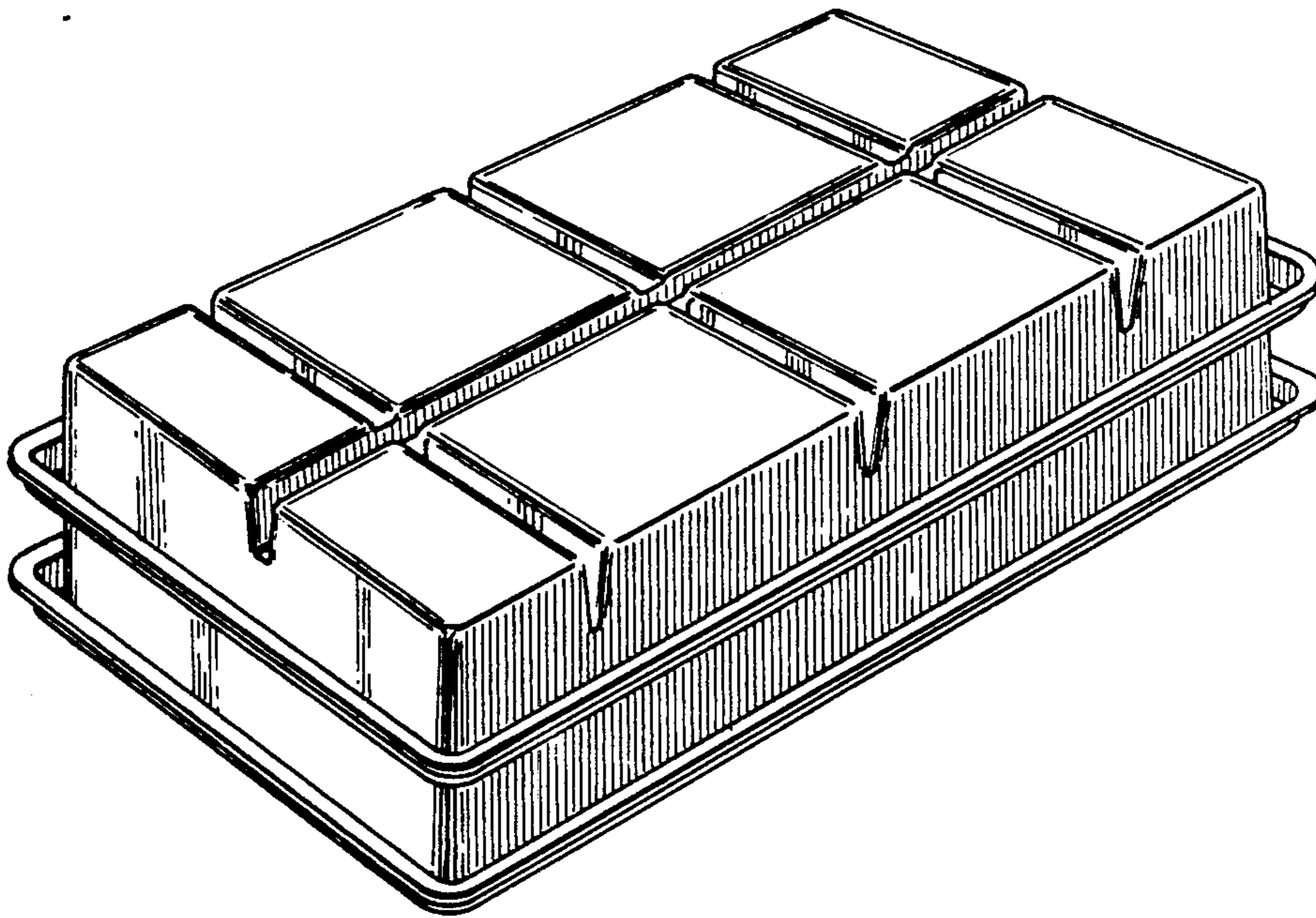


FIG. 4