

[54] PLANTER

| | | | |
|-----------|---------|-----------------|----------|
| 724,492 | 4/1903 | Palmer | 224/48 R |
| 756,612 | 4/1904 | Finley | D9/248 |
| 3,290,820 | 12/1966 | Aebersold | D11/148 |

[75] Inventor: Donald K. Johnson, Barrington, Ill.

[73] Assignee: Florists' Transworld Delivery Association, Southfield, Mich.

[**] Term: 14 Years

[21] Appl. No.: 908,136

[22] Filed: May 22, 1978

[51] Int. Cl. D11-02

[52] U.S. Cl. D11/148; D11/152

[58] Field of Search D11/143-149, D11/151-156, 164; D7/76; D9/219, 246-248; 224/45 R, 45 C, 48 R, 48 E; 47/66-69, 71, 72, 79-81, 82, 83, 85-87

[56] References Cited

U.S. PATENT DOCUMENTS

D. 212,438 10/1968 Fujita D9/246

OTHER PUBLICATIONS

Lustro-Ware Cat. 503-A, p. 8, bottom of refrigerator dish L-37.

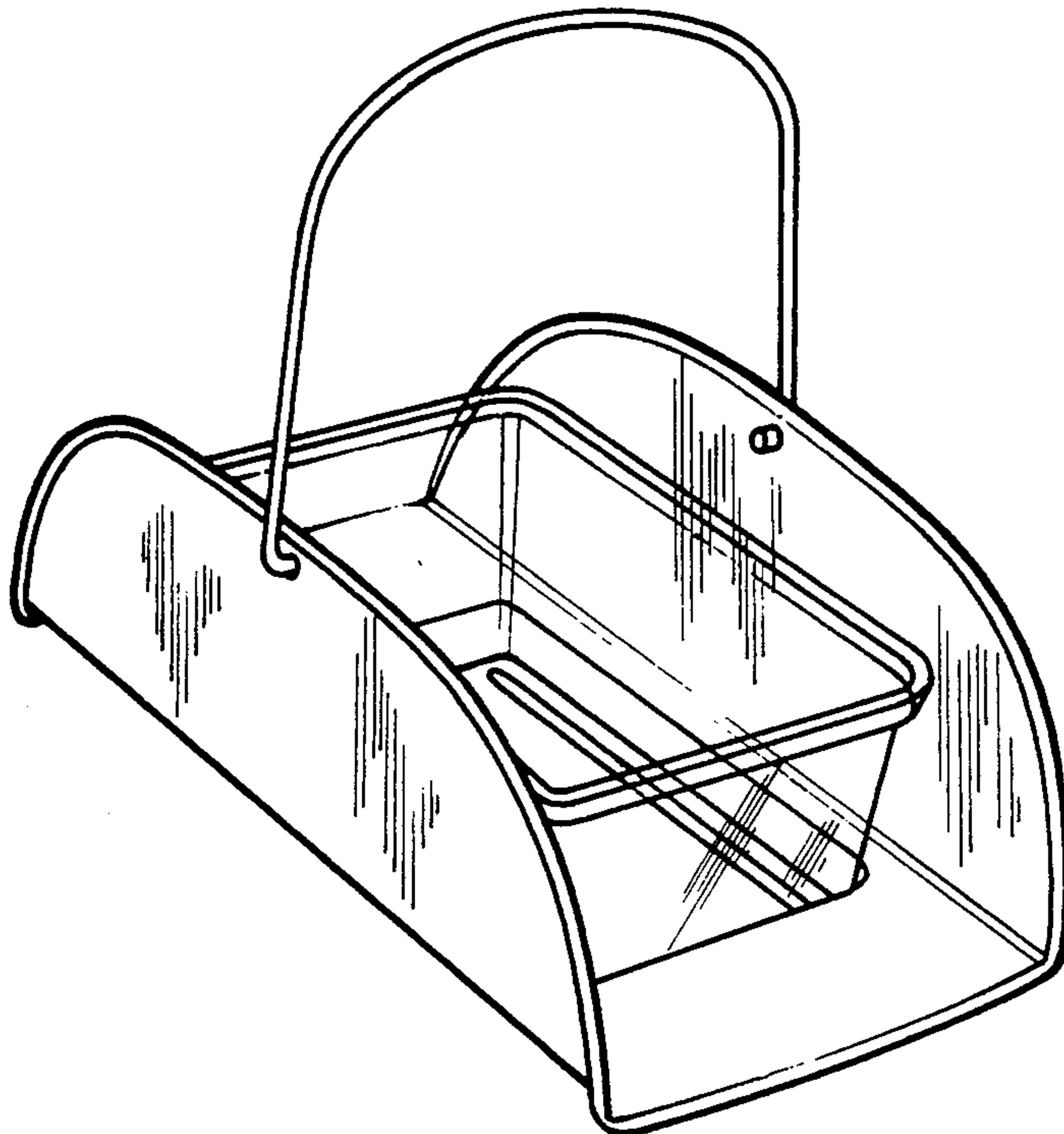
Primary Examiner—B. J. Bullock
Attorney, Agent, or Firm—Gifford, VanOphem, Sheridan & Sprinkle

[57] CLAIM

The ornamental design for a planter, as shown.

DESCRIPTION

FIG. 1 is a perspective view of a planter showing my new design;
FIG. 2 is an exploded side elevational view thereof;
FIG. 3 is a top plan view with the receptacle omitted for clarity of illustration;
FIG. 4 is an end elevational view of FIG. 3; and
FIG. 5 is a bottom plan view thereof.



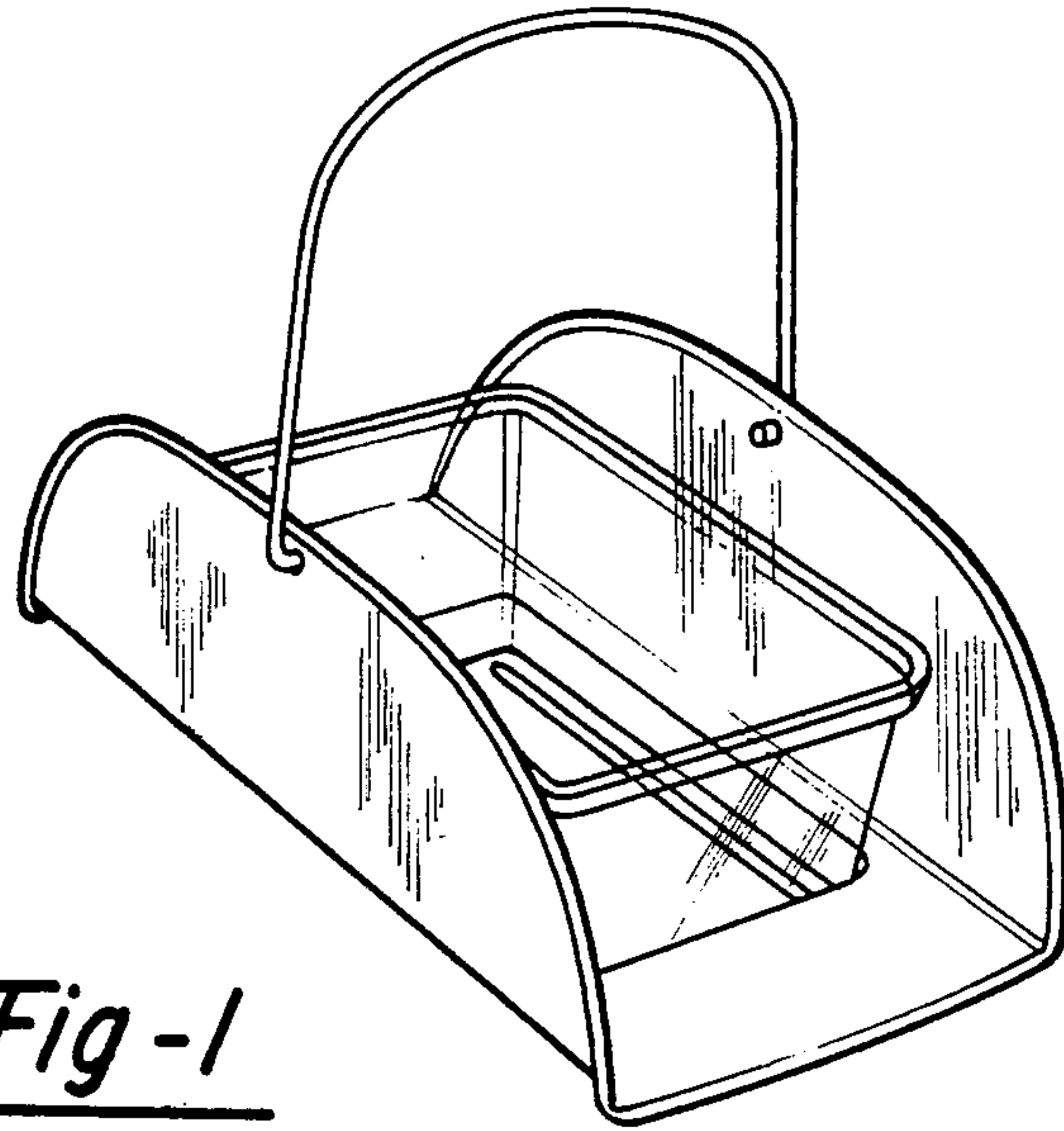


Fig-1

Fig-2

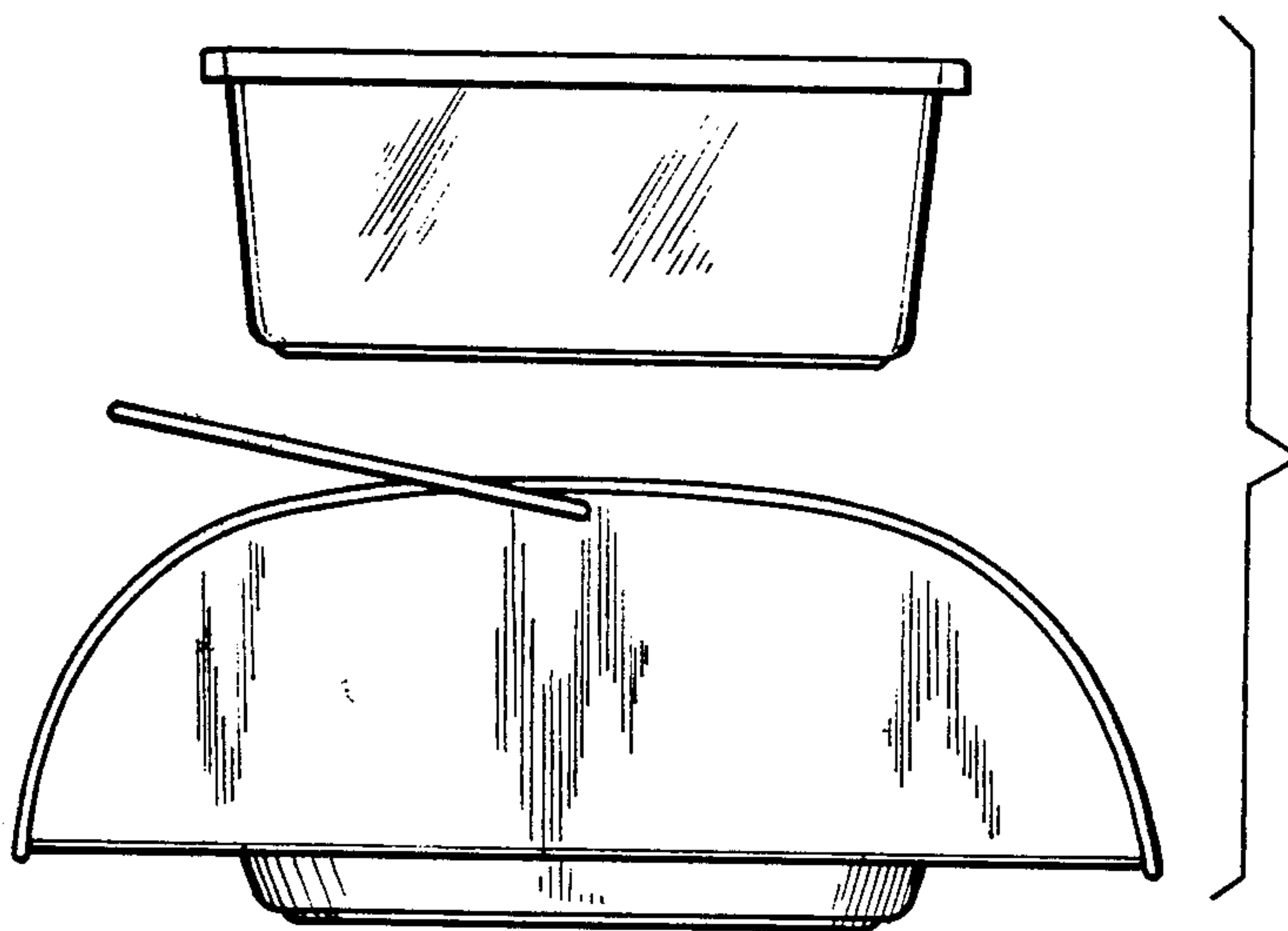


Fig-3

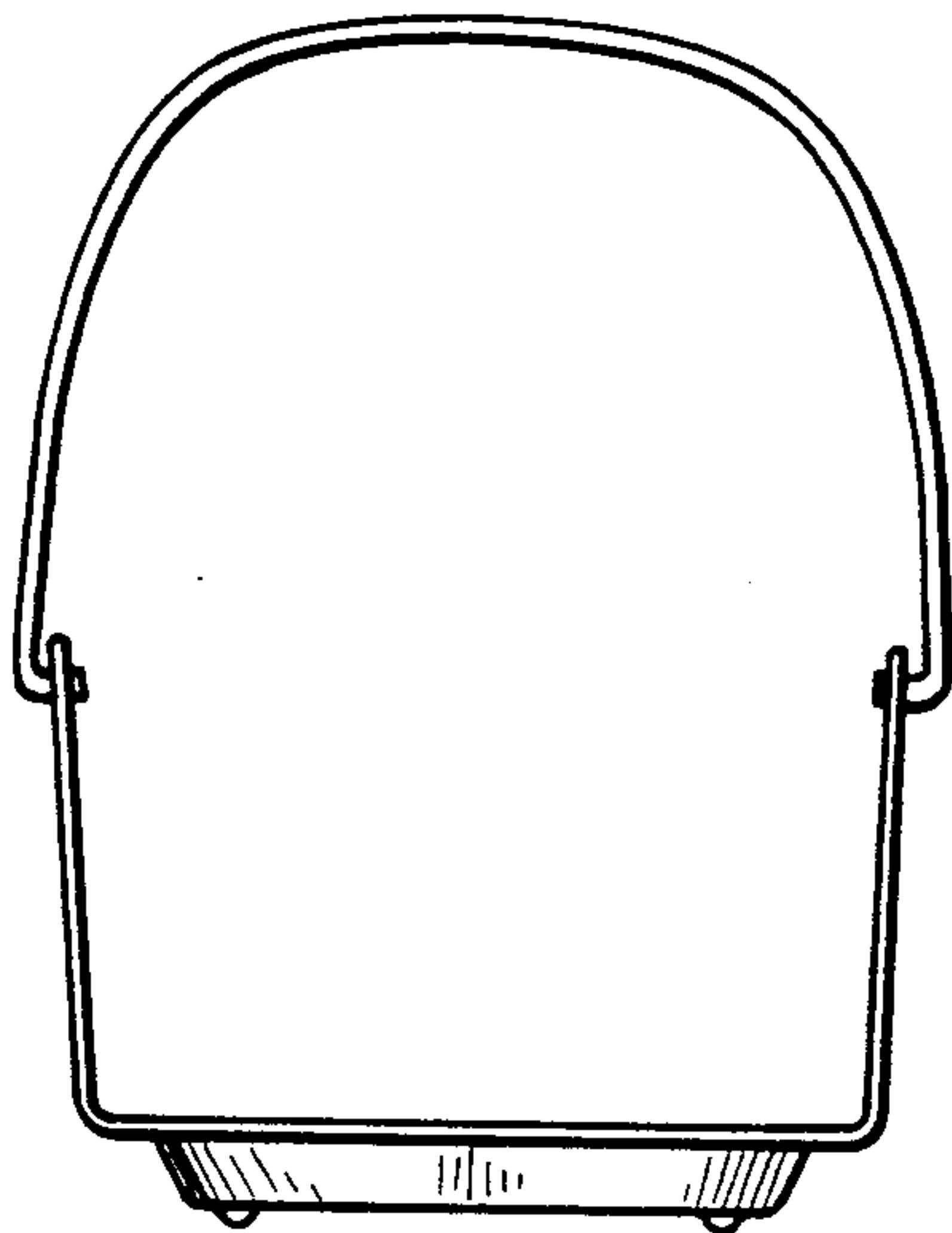
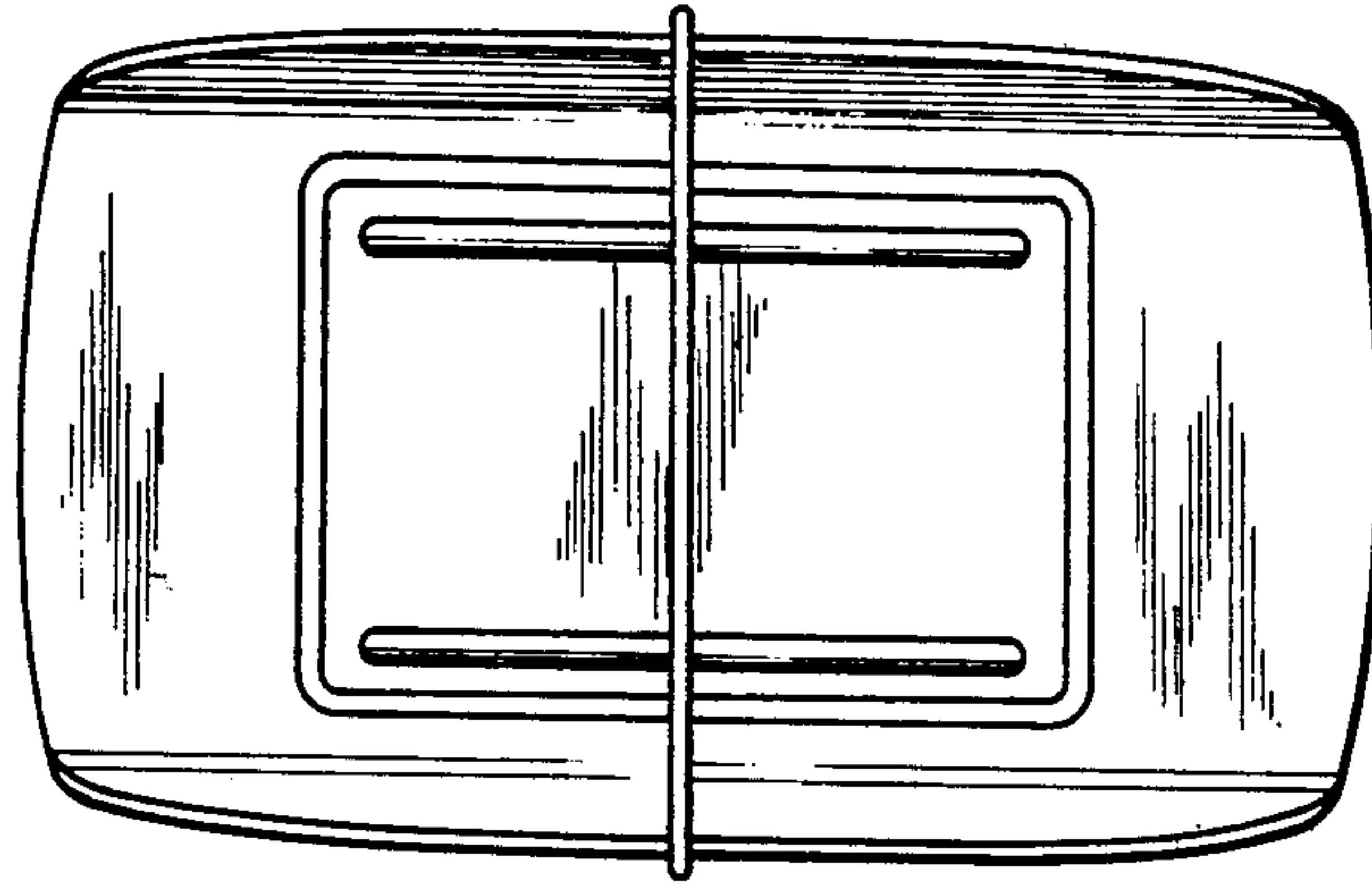


Fig-4

Fig-5

