

[54] CROSS MOBILE

[76] Inventor: David Sweet, 15 Kellogg Rd., New Hartford, N.Y. 13413

[**] Term: 14 Years

[21] Appl. No.: 882,959

[22] Filed: Feb. 28, 1978

[51] Int. Cl. D11-02

[52] U.S. Cl. D11/141; D99/27

[58] Field of Search D11/96, 122, 141, 125; D99/23, 25-27; D21/63; 428/3, 8, 9; 40/477, 617, 613; 46/53, 57

[56] References Cited

U.S. PATENT DOCUMENTS

D. 109,081 3/1938 Morrison et al. D11/125

3,762,084 10/1973 Jones 40/617

OTHER PUBLICATIONS

House Beautiful, Jun. 1975, p. 107-Wind Chimes at bottom center.

Jewelers' Circular-Keystone Directory Issue, 6/21/76, p. 565-Open Cross at lower center.

Primary Examiner—Louis S. Zarfes

[57] CLAIM

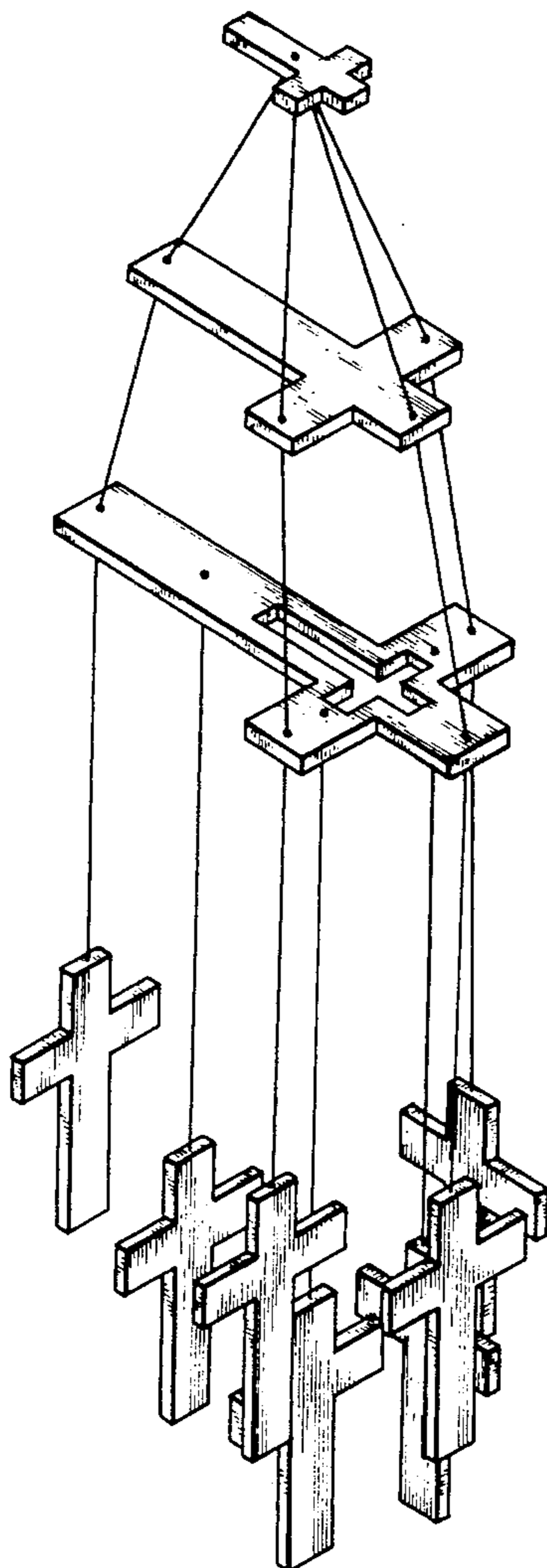
The ornamental design for a cross mobile, substantially as shown.

DESCRIPTION

FIG. 1 is a perspective view of a cross mobile showing my new design;

FIG. 2 is a left side elevational view; and

FIG. 3 is a top plan view.



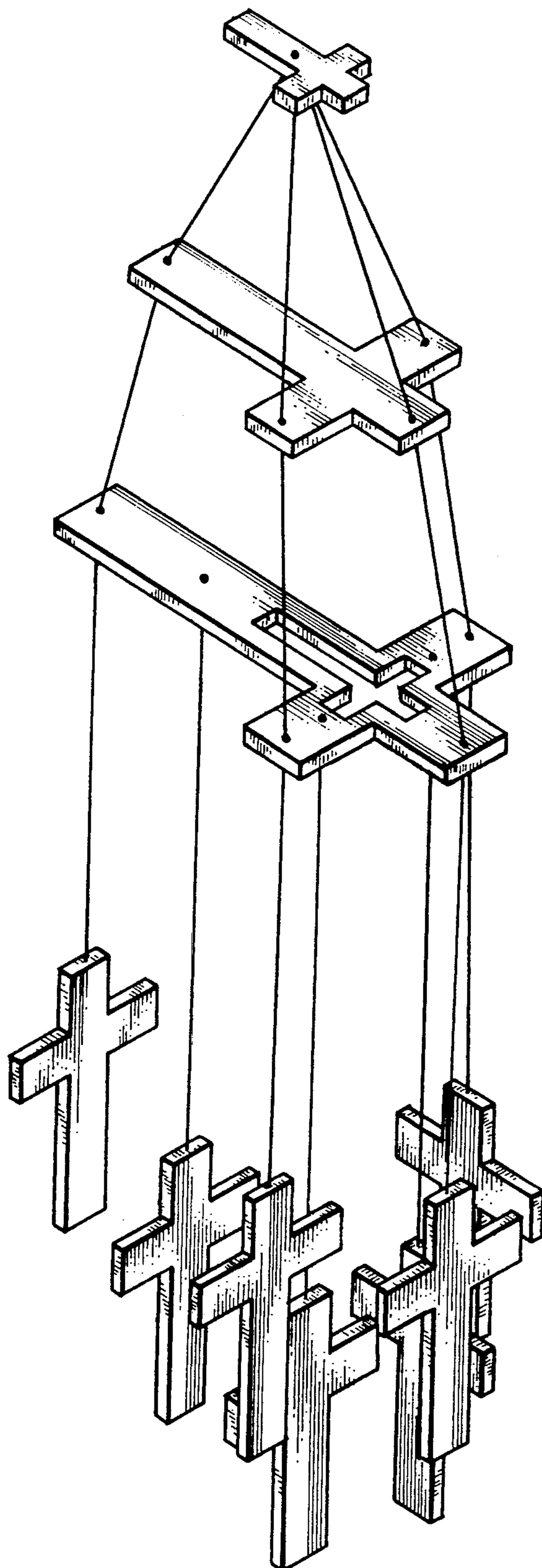


FIG. 1

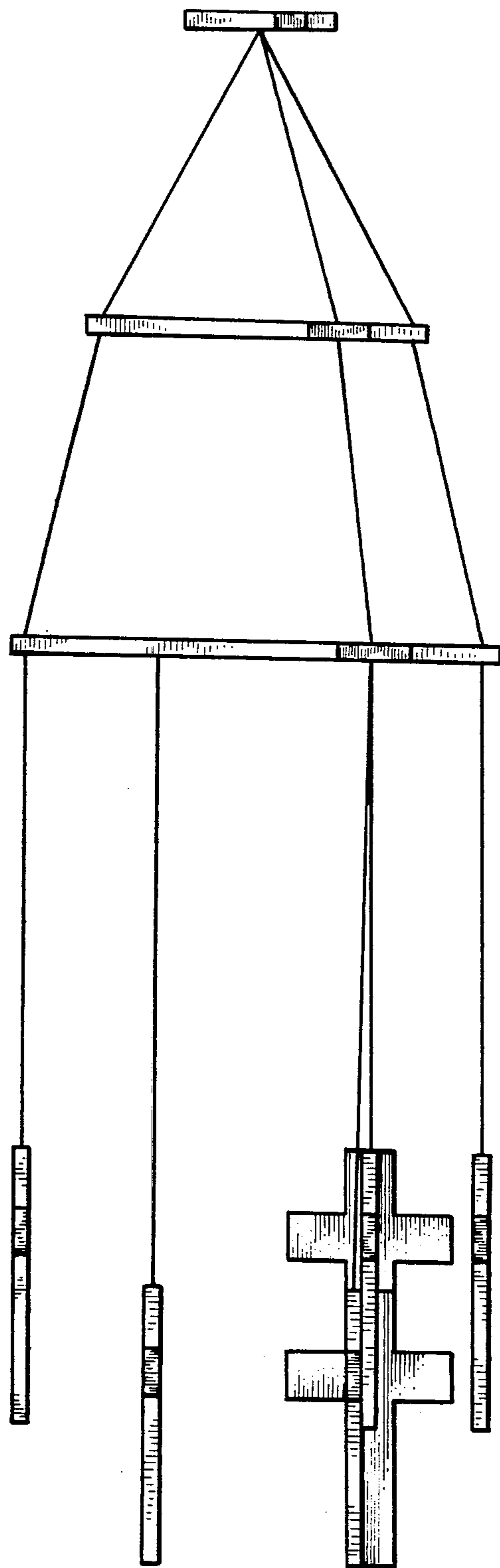


FIG. 2

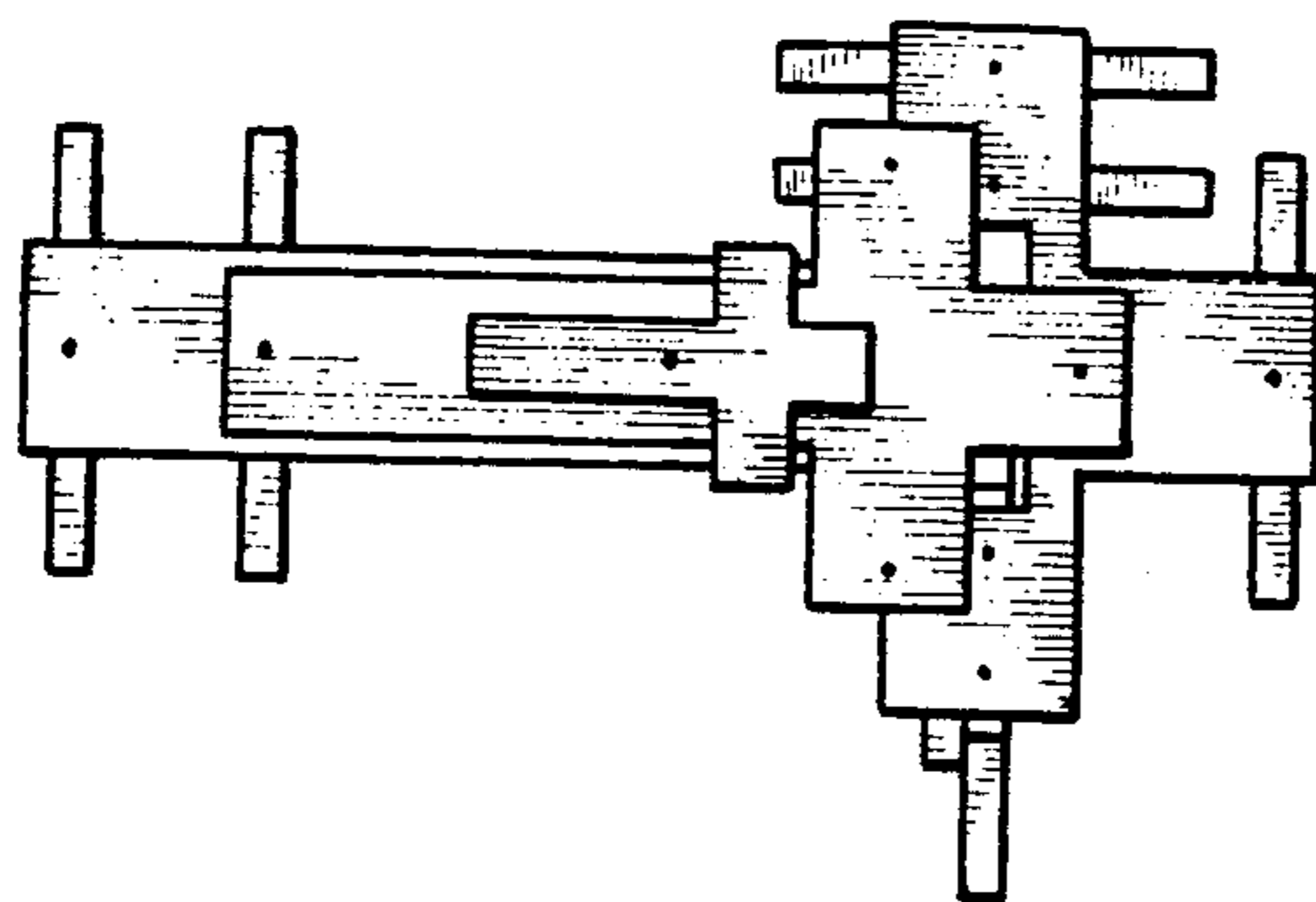


FIG 3