

[54] MICROWAVE OVEN

[75] Inventors: Masamichi Yamamura, Osaka; Toshio Harada, Shin; Hanji Takahashi, Toyonaka, all of Japan

[73] Assignee: Matsushita Electric Industrial Co., Ltd., Kadoma, Japan

[**] Term: 14 Years

[21] Appl. No.: 934,328

[22] Filed: Aug. 16, 1978

[30] Foreign Application Priority Data

Feb. 20, 1978 [JP] Japan 53-6237

[51] Int. Cl. D7-02

[52] U.S. Cl. D7/128

[58] Field of Search D7/128; 126/1 R, 19 R, 126/273 R, 275 R, 275 E; 219/10.55, 385, 386, 391, 392, 393, 399, 400; 99/324, 325, 326, 327, 330, 331, 339, 341; 312/236

[56] References Cited

U.S. PATENT DOCUMENTS

D. 248,606 7/1978 Mori et al. D7/128
D. 248,607 7/1978 Yamamura et al. D7/128
D. 249,996 10/1978 Suganoya et al. D7/128

Primary Examiner—Catherine E. Kemper

[57] CLAIM

The ornamental design for a microwave oven, as shown.

DESCRIPTION

FIG. 1 is a front, right side and top perspective view of a microwave oven showing our new design, FIG. 2 is a rear, left side and bottom perspective view thereof, FIG. 3 is a top plan view thereof, and FIG. 4 is a right side elevational view thereof.

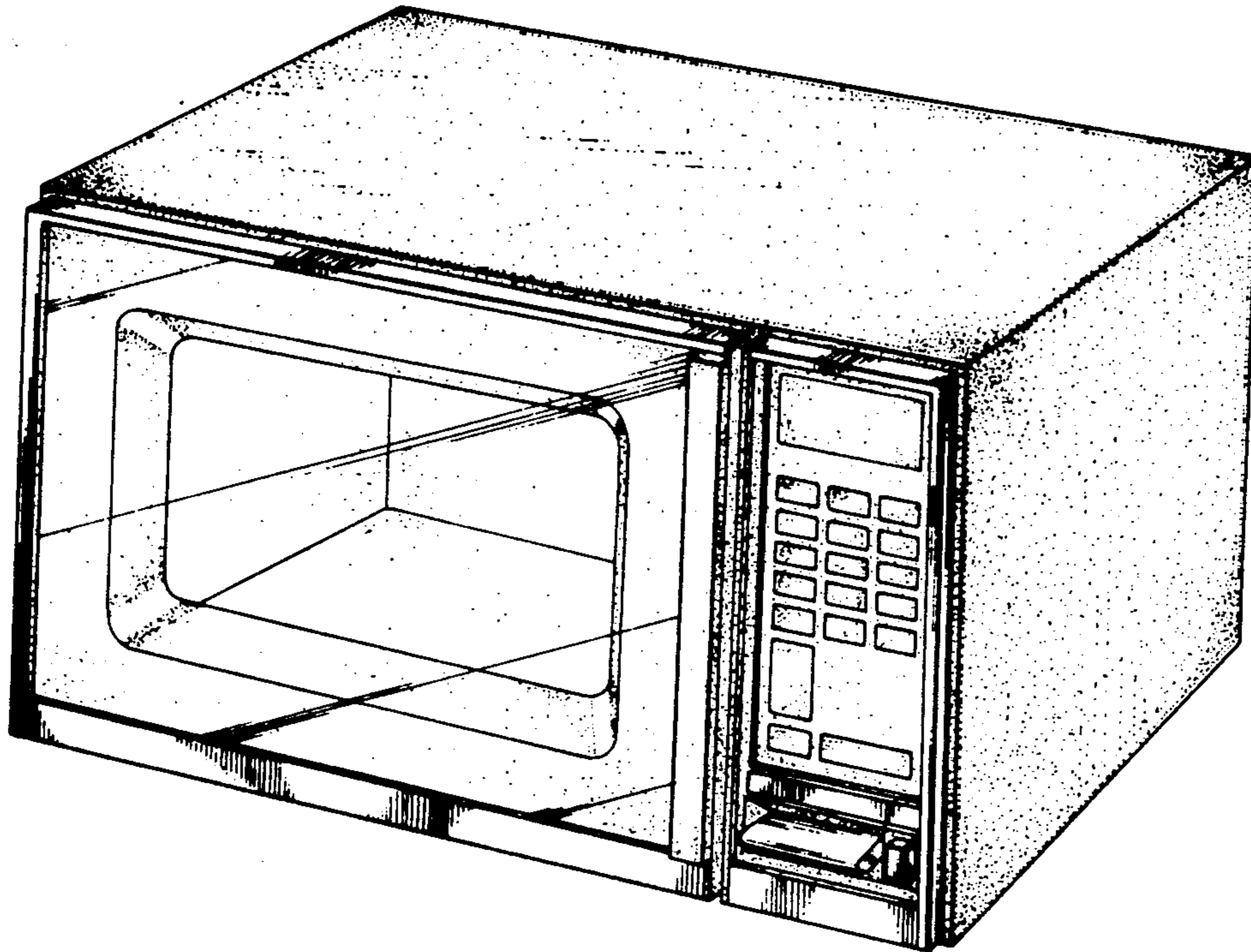


FIG. 1

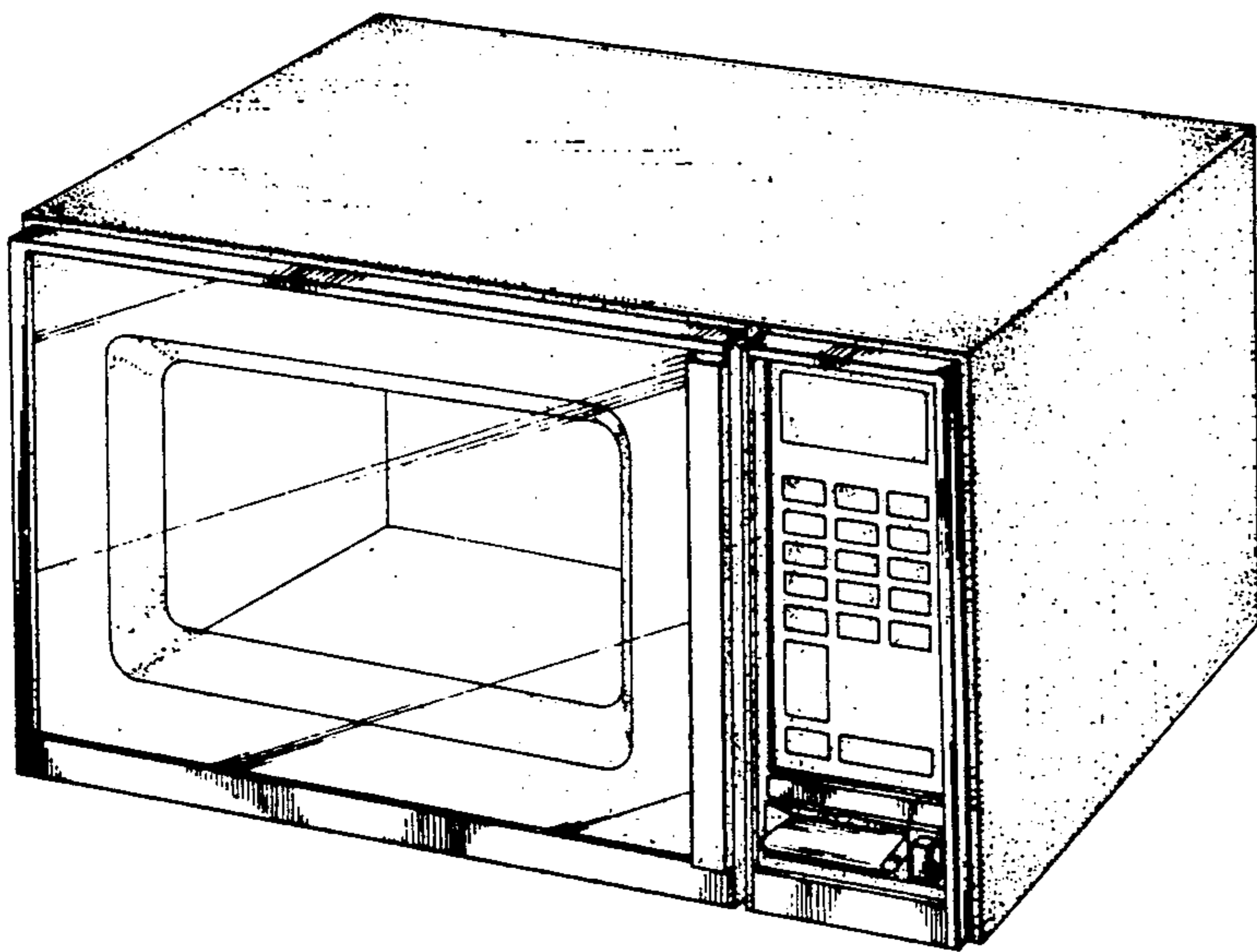


FIG. 2

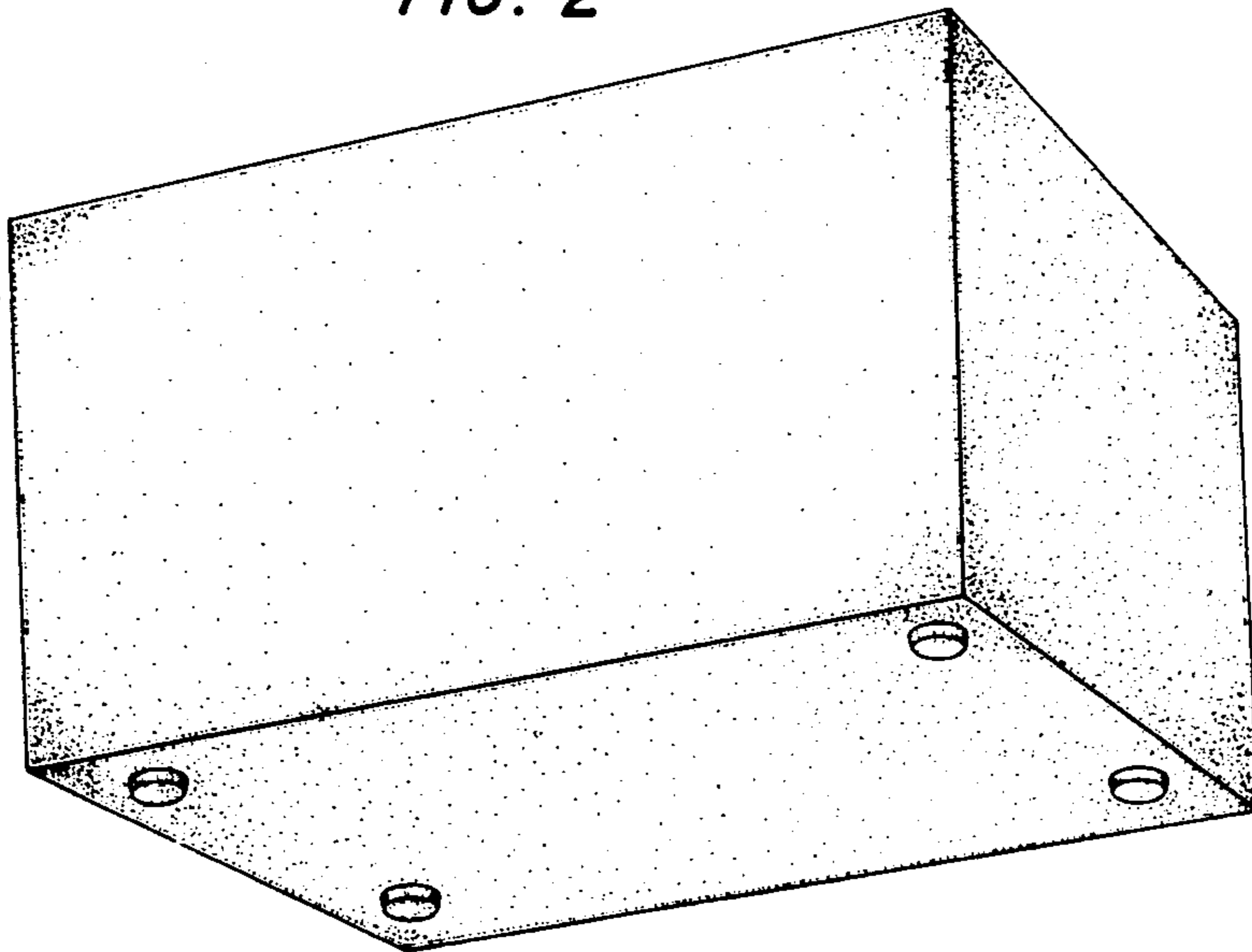


FIG. 3

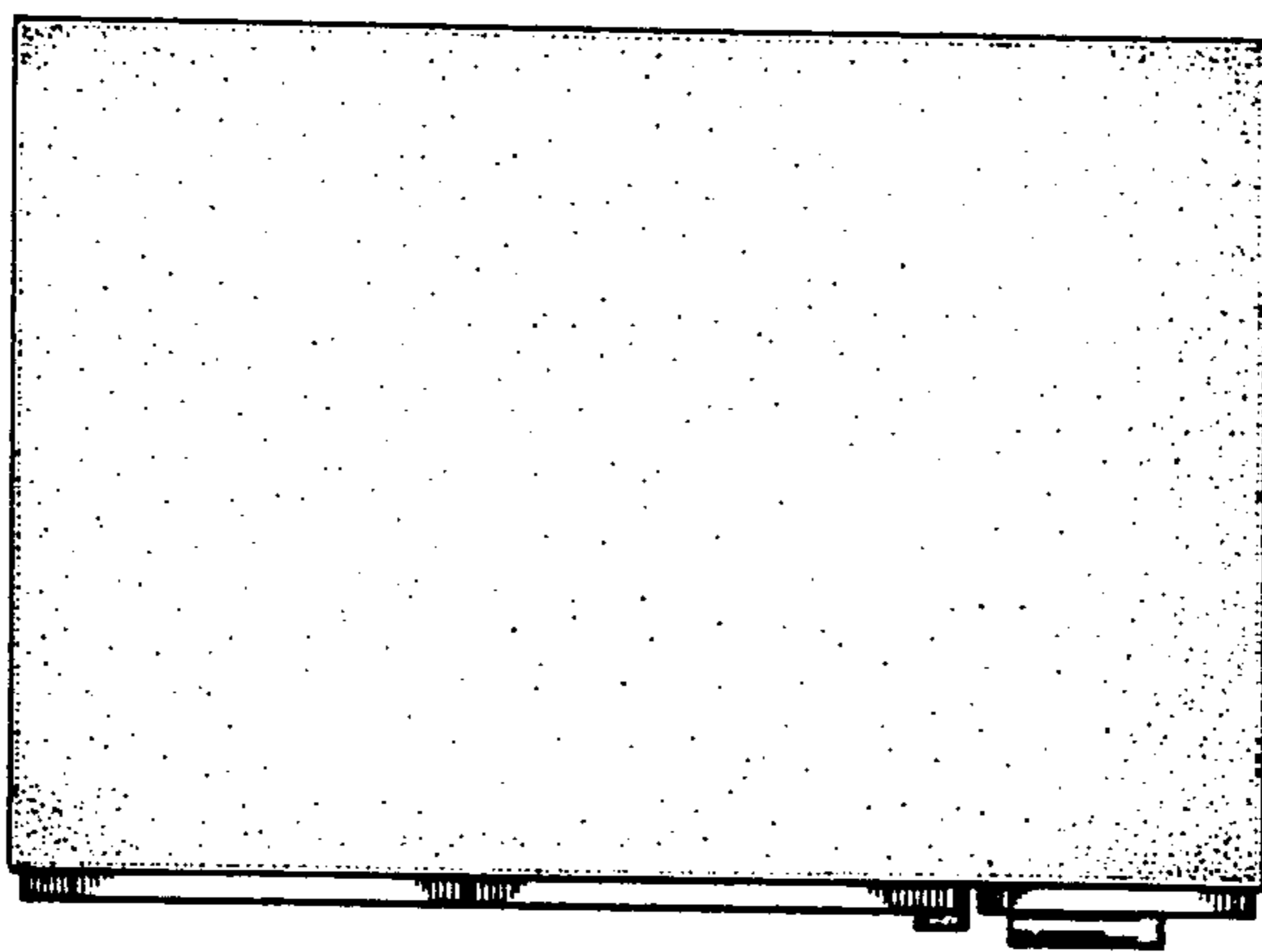


FIG. 4

