

[54] COOLER

[75] Inventors: Harry W. Lucas, Caledon East;  
Gerald J. Adamson, Toronto, both of  
Canada

[73] Assignee: The Coleman Company, Inc.,  
Wichita, Kans.

[\*\*] Term: 14 Years

[21] Appl. No.: 910,617

[22] Filed: May 30, 1978

[51] Int. Cl. .... D07-07; D03-01

[52] U.S. Cl. .... D7/77; D3/73

[58] Field of Search ..... D7/78, 77, 76; 220/339,  
220/318; D3/20, 30, 38, 49, 73

[56] References Cited

U.S. PATENT DOCUMENTS

D. 180,490	6/1957	Lunan .....	D3/73
D. 198,425	6/1964	Nupp .....	D3/73
D. 218,266	8/1970	Belokin, Jr. ....	D3/73 X
3,185,338	5/1965	Henning .....	220/318
3,426,889	2/1969	Fuller .....	D7/77 X
3,640,420	2/1972	Carter et al. ....	D7/77 X

OTHER PUBLICATIONS

*Good Housekeeping*, May, 1975, p. 18, Covey "Swinger" shown in foreground.

*Home Furnishings Daily*, Mon., Jan. 12, 1976, Sec. #2, p. 55, bottom left panel, "Igloo" Ice Chest.

Primary Examiner—Winifred E. Herrmann

[57] CLAIM

The ornamental design for a cooler, as shown and described.

DESCRIPTION

FIG. 1 is a perspective view of a cooler showing our new design;

FIG. 2 is a side elevational view of the cooler, both sides being identical;

FIG. 3 is an end view of the cooler, both ends being identical;

FIG. 4 is a top plan view of the cooler;

FIG. 5 is a bottom plan view of the cooler;

FIG. 6 is an end view of the cooler with the lids shown in open position, both ends being identical;

FIG. 7 is a top plan view as indicated by the line 7-7 in FIG. 6;

FIG. 8 is a transverse sectional view of the cooler taken on line 8-8 of FIG. 7;

FIG. 9 is a bottom plan view of the cooler, as indicated by line 9-9 in FIG. 6; and

FIG. 10 is a side view of the cooler, as indicated by line 10-10 of FIG. 6, both sides being identical.

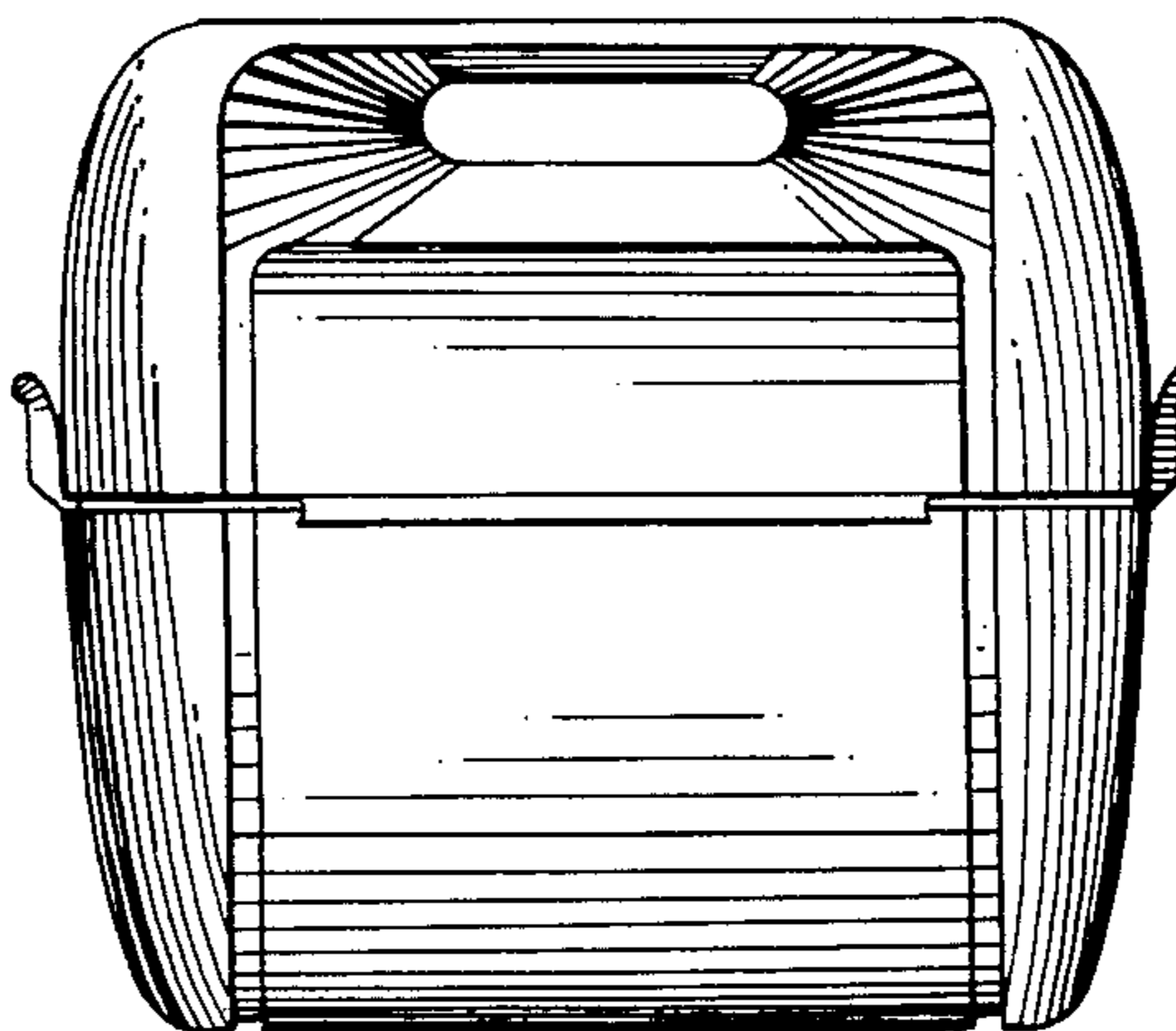
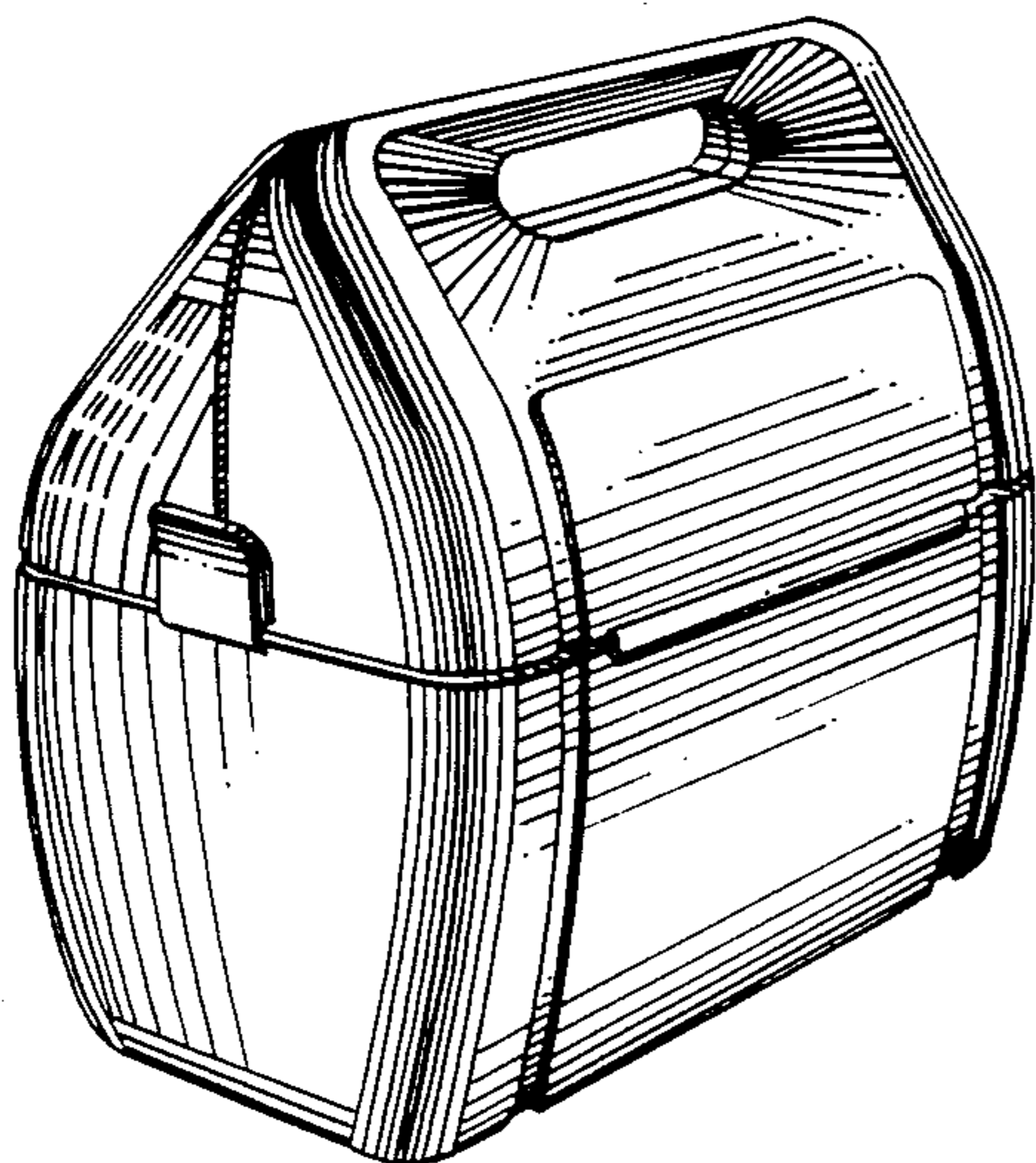


FIG. 2

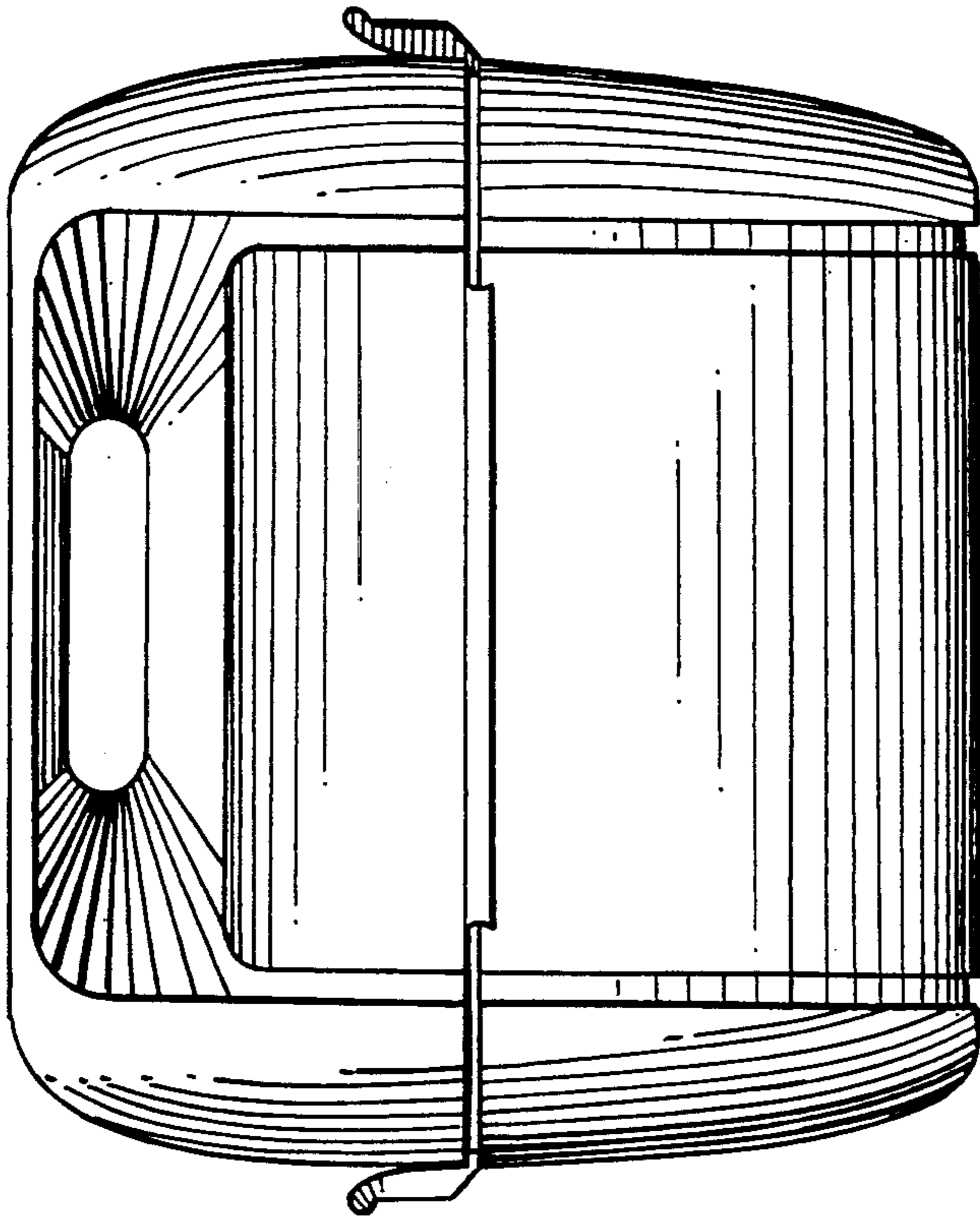


FIG. 1

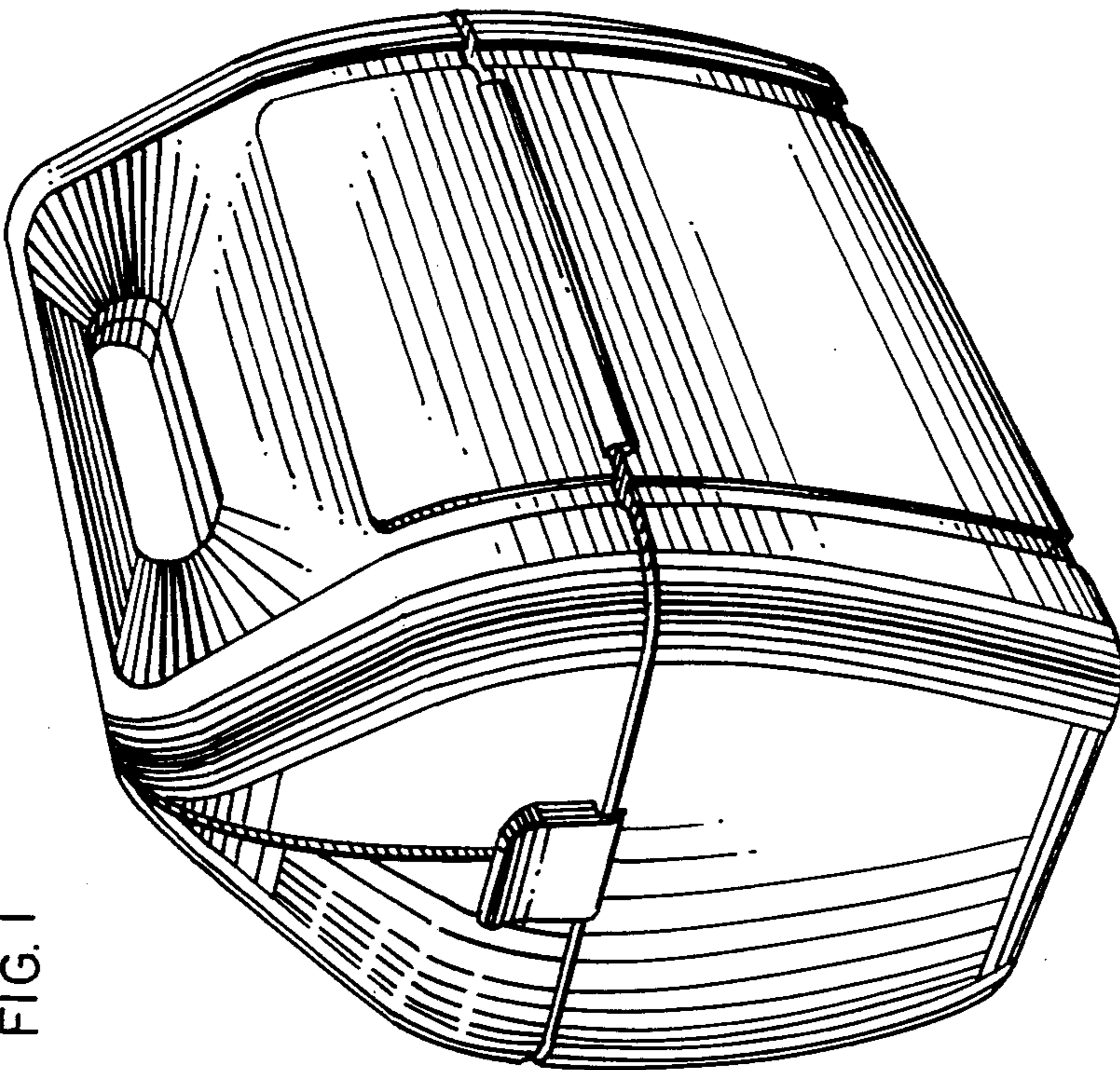


FIG. 4

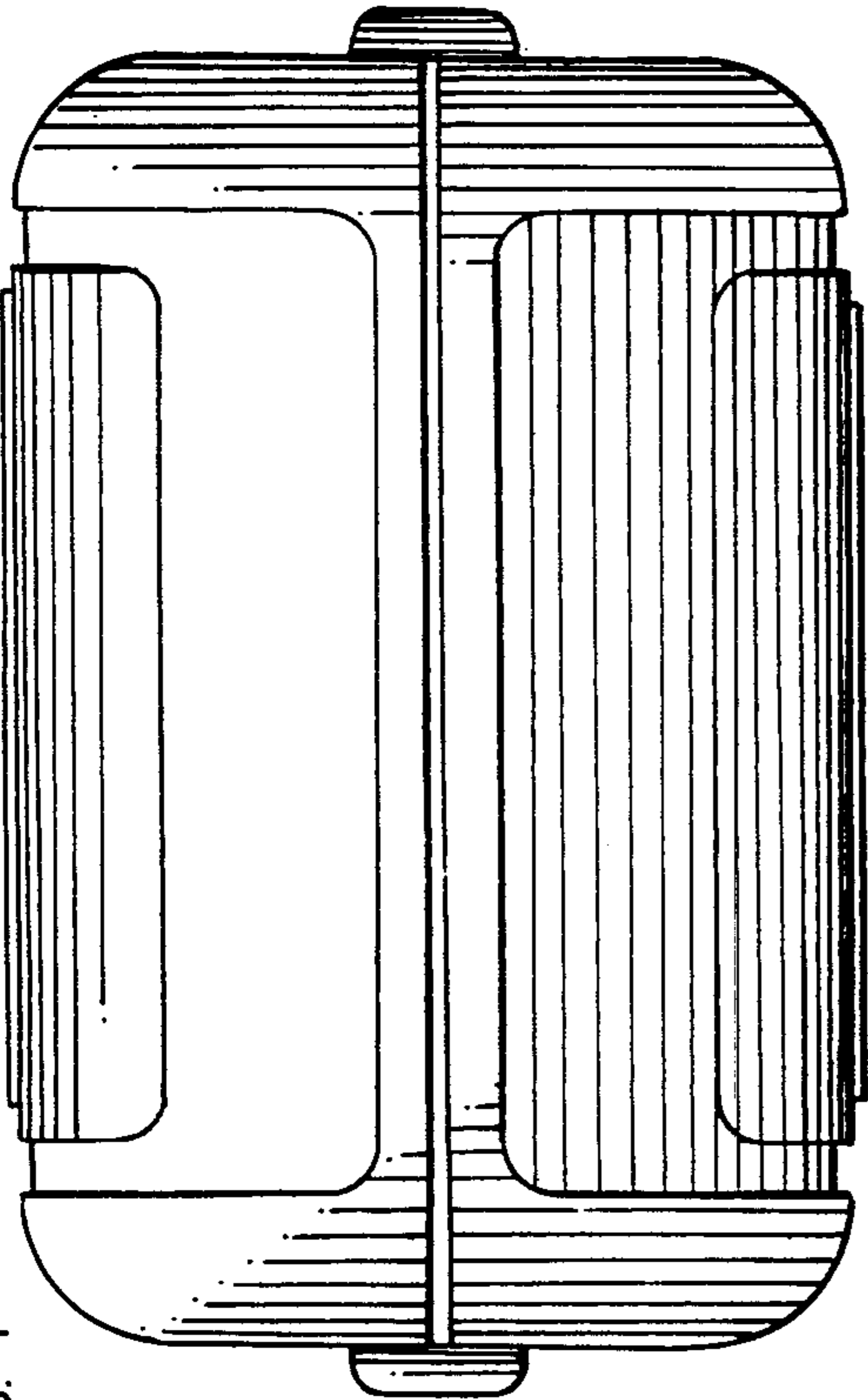


FIG. 5

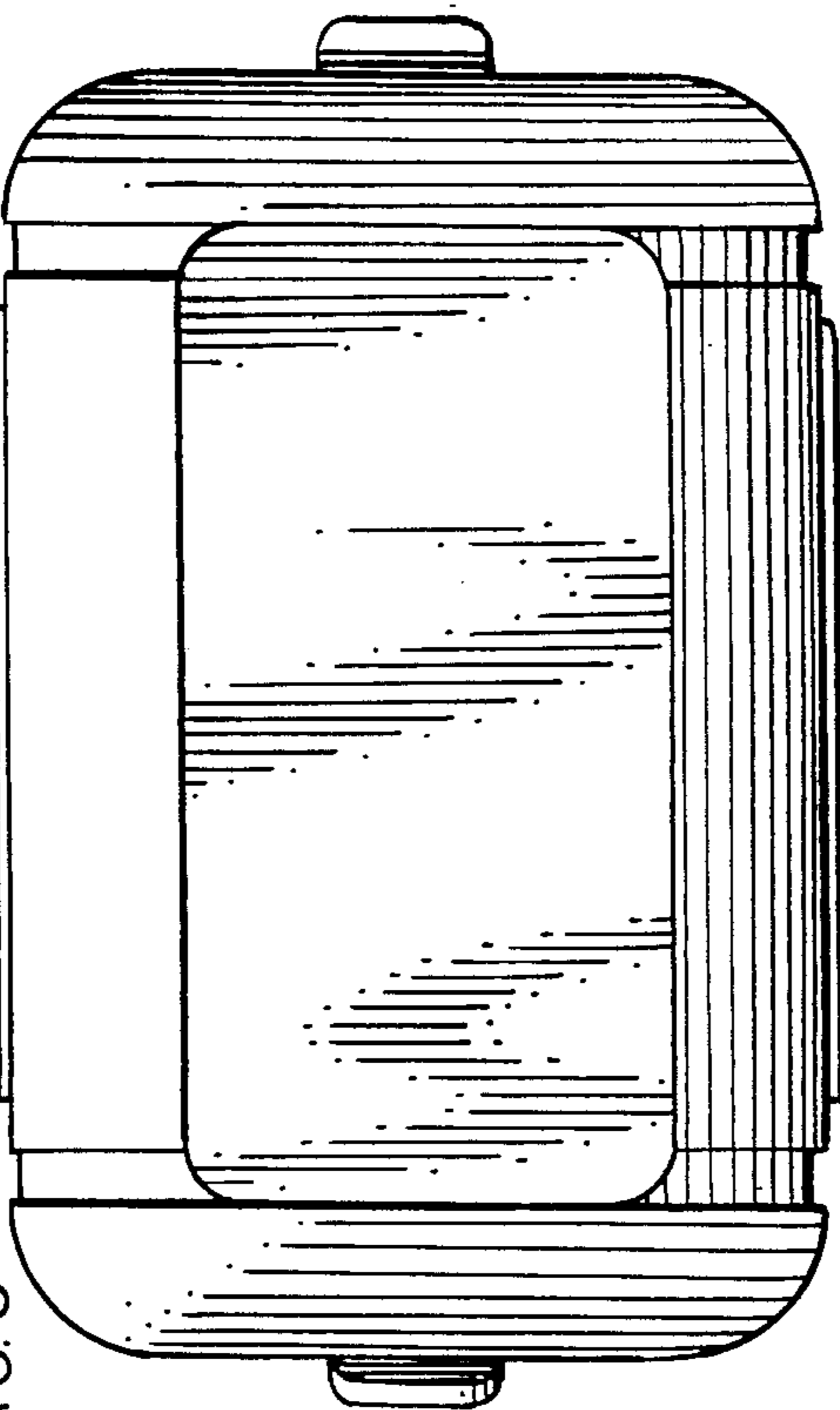
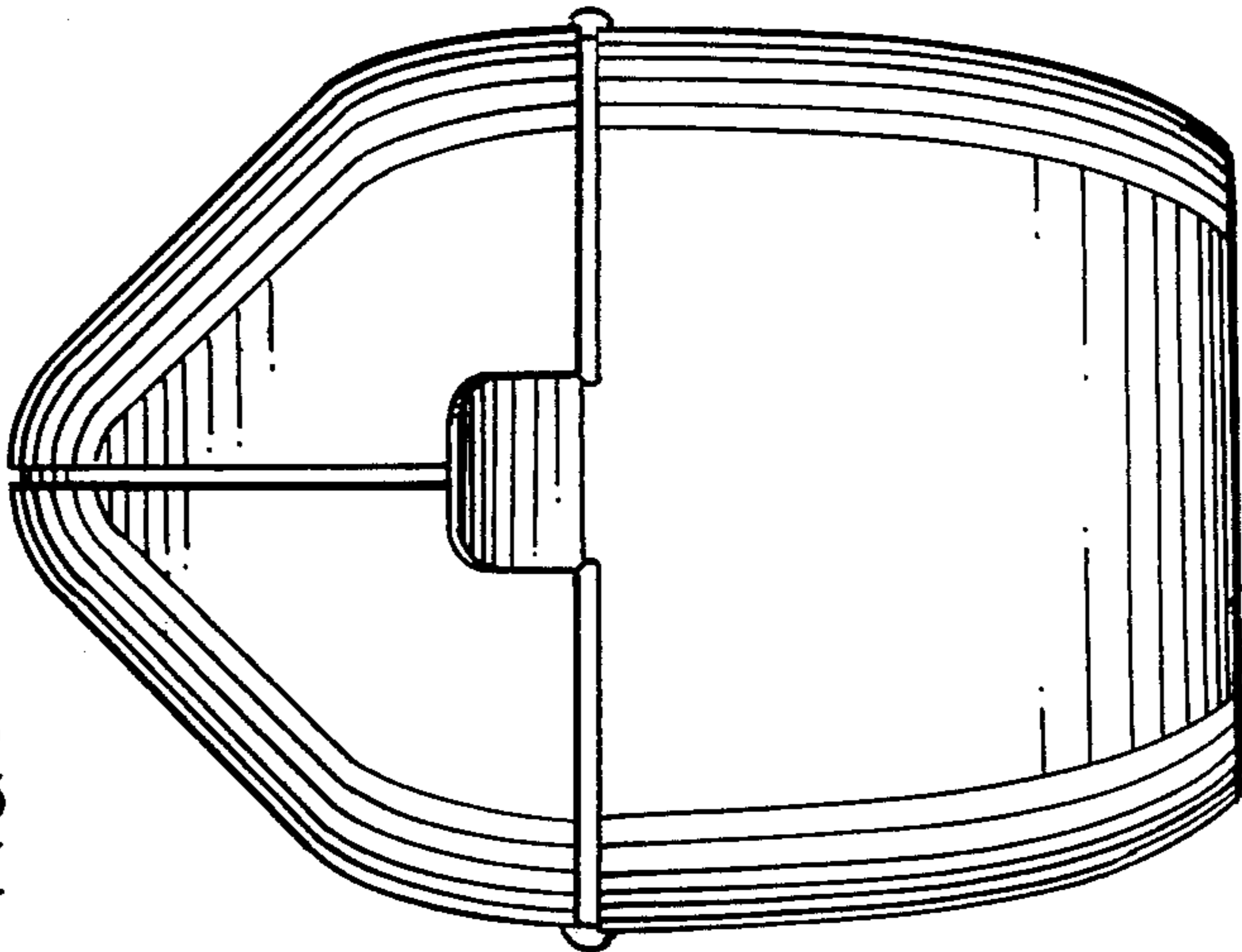


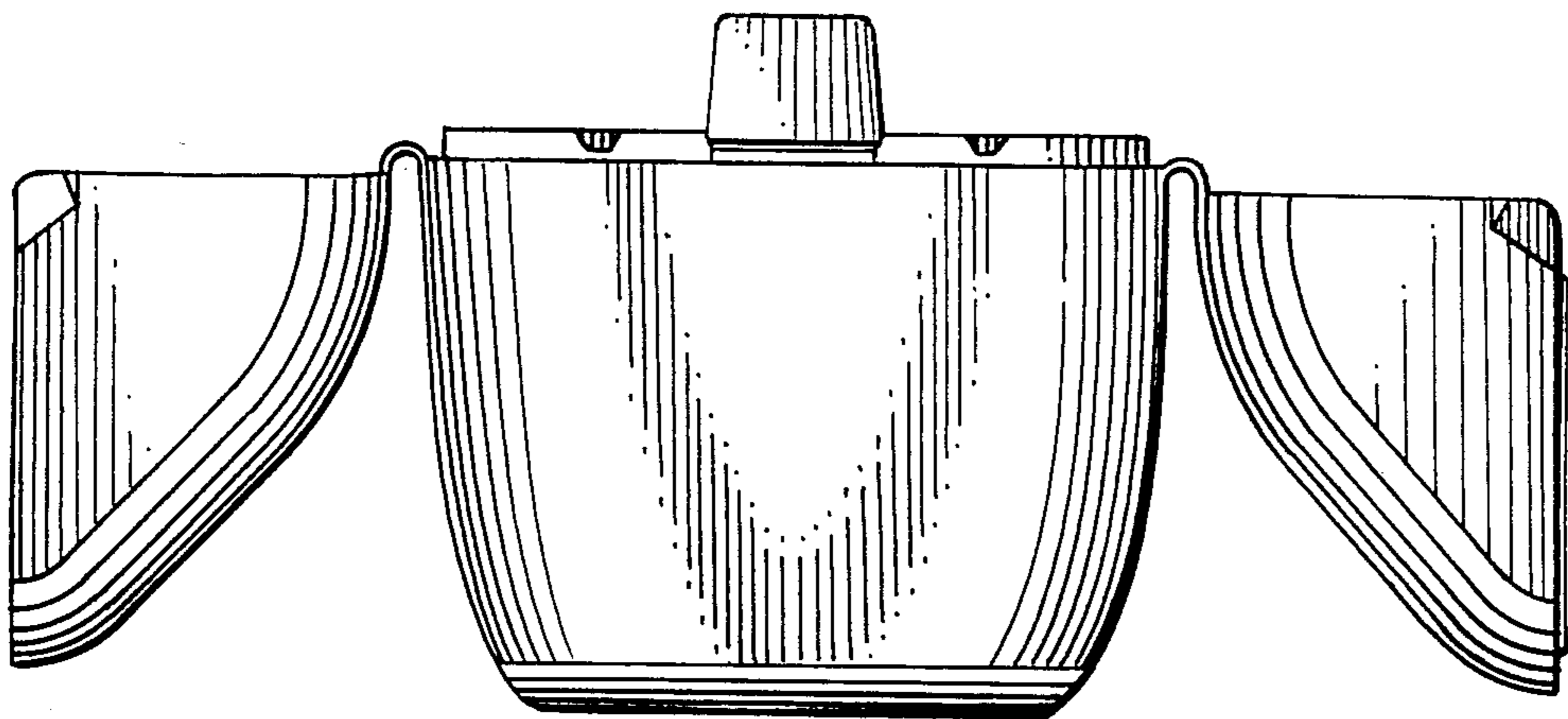
FIG. 3



7  
↑

FIG. 6

7  
← 10  
↑

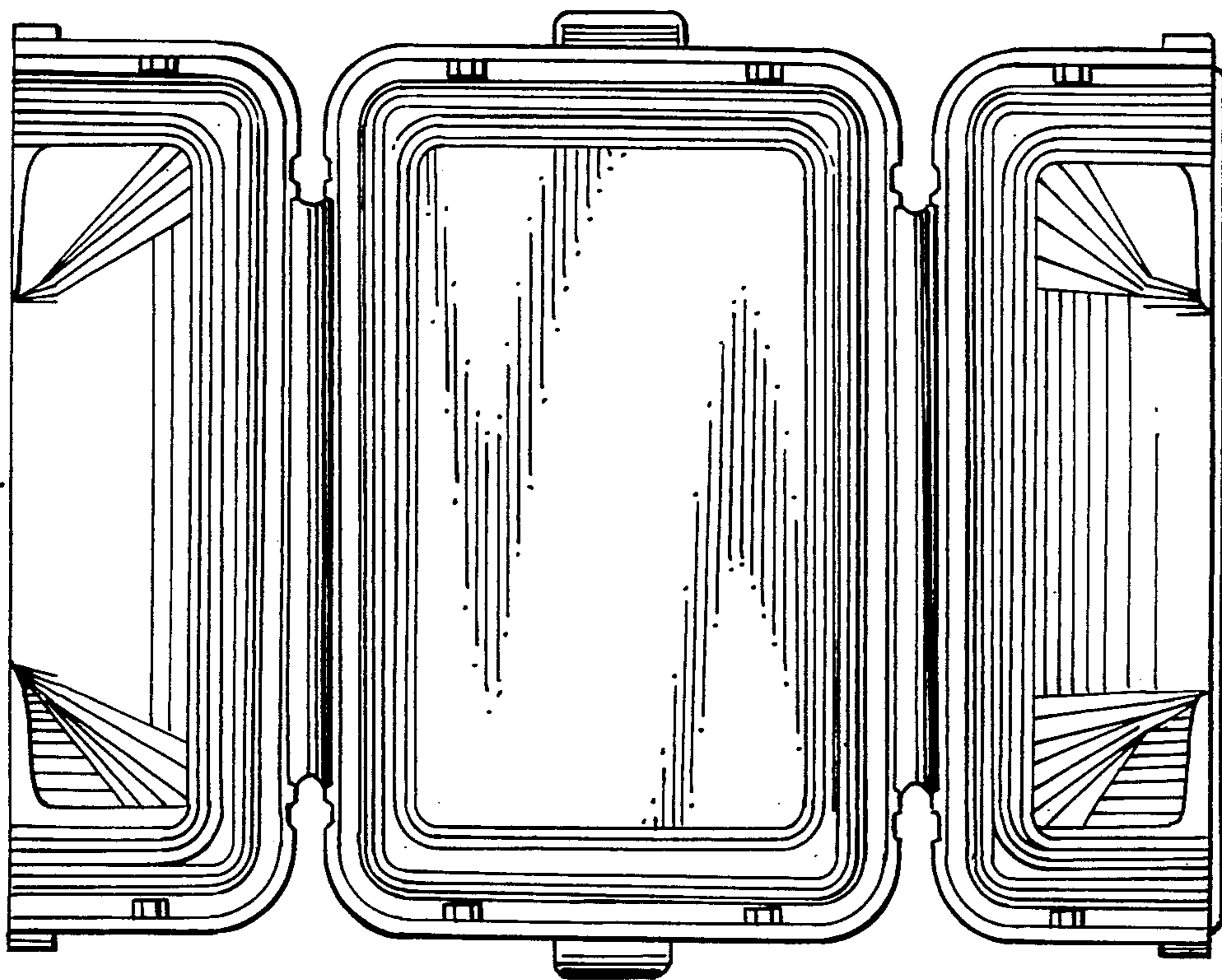


9  
↑

9  
← 10  
↑

FIG. 7

8  
↑



8  
↑

FIG. 8

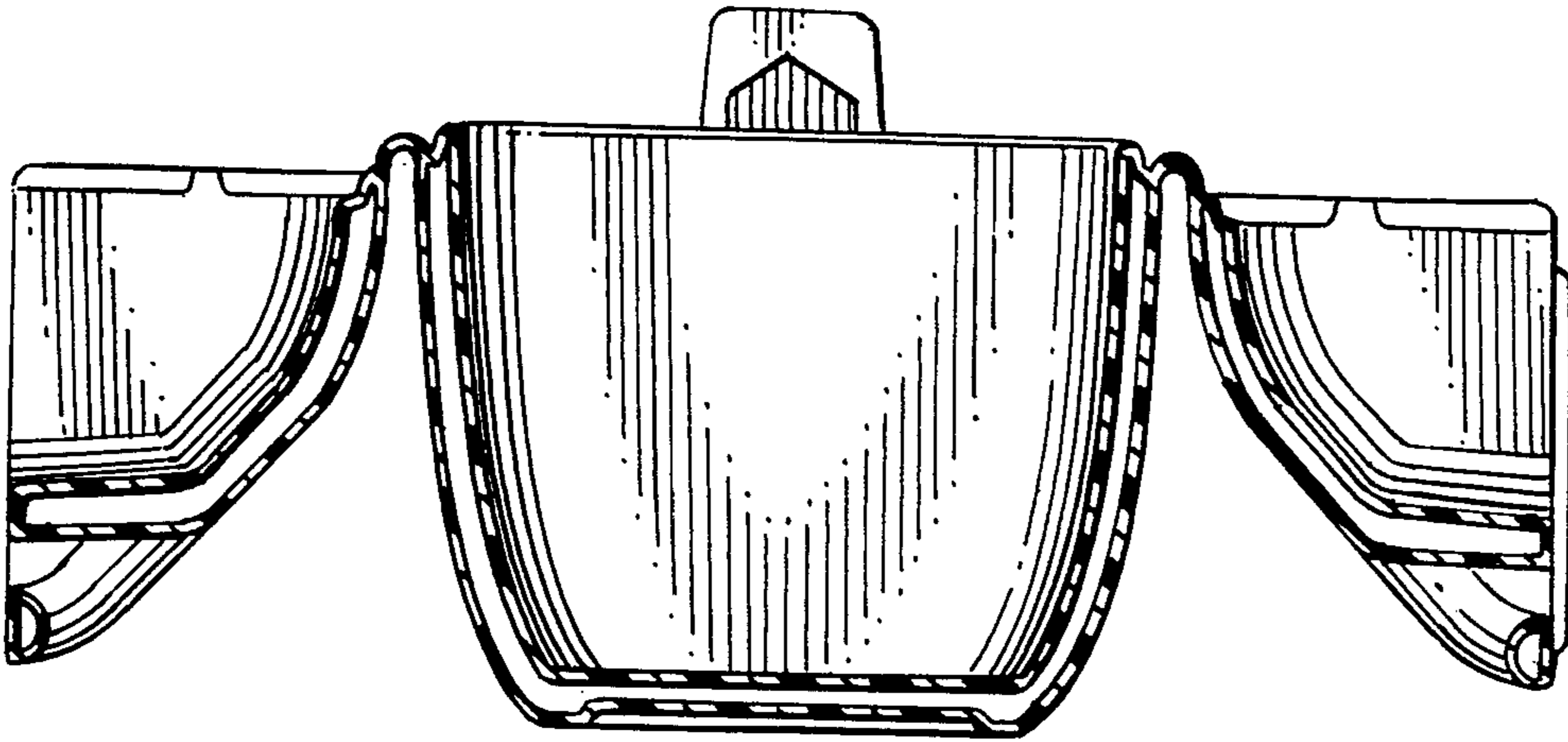


FIG. 9

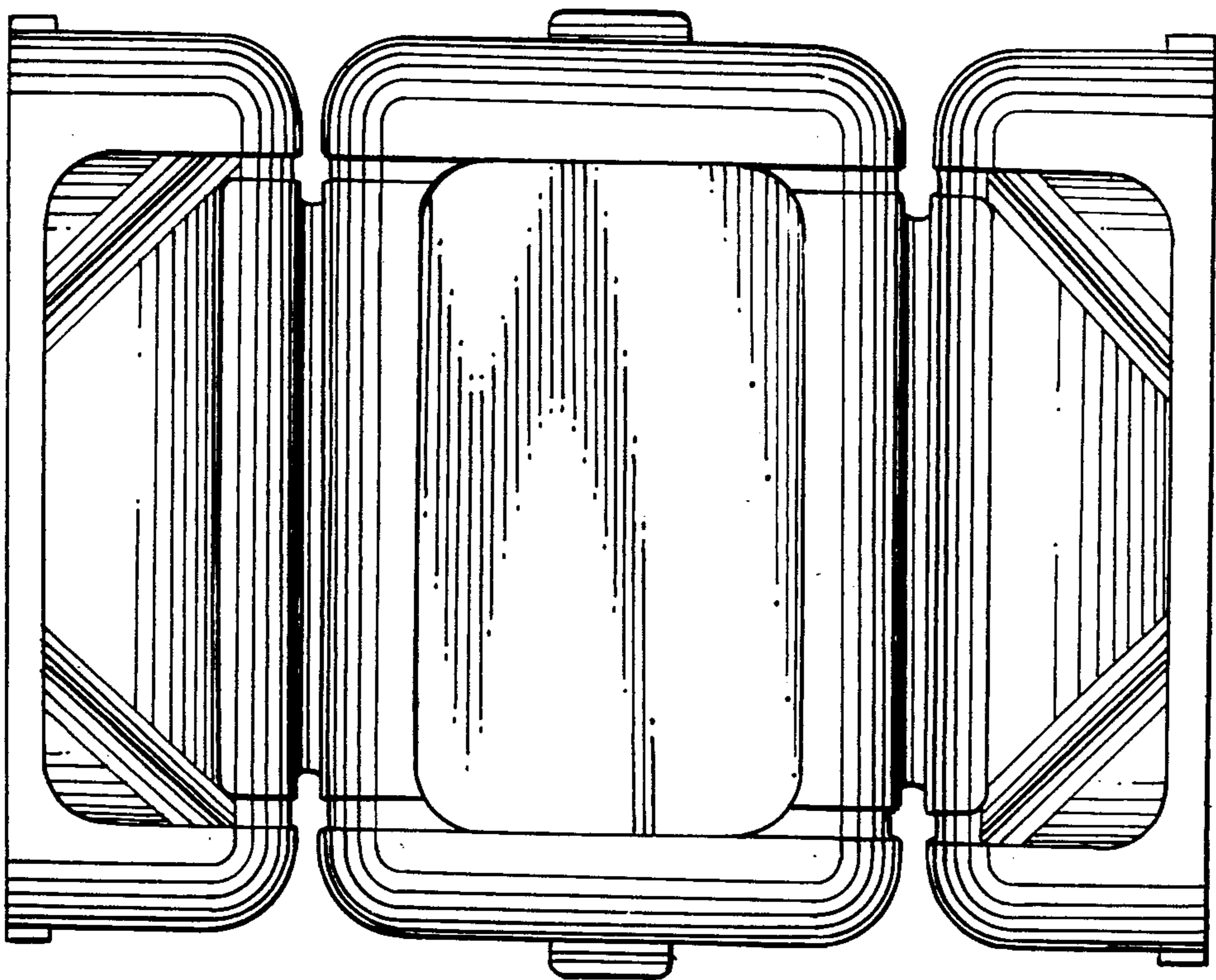


FIG. 10

