

[54] FURNITURE BASE

[75] Inventor: Don C. Albinson, Coopersburg, Pa.

[73] Assignee: Collier-Keyworth Company, Gardner, Mass.

[\*\*] Term: 14 Years

[21] Appl. No.: 959,376

[22] Filed: Nov. 9, 1978

[51] Int. Cl. .... D6-06

[52] U.S. Cl. .... D6/196

[58] Field of Search ..... D6/28-31, D6/191, 196; 248/188.7

[56]

References Cited

U.S. PATENT DOCUMENTS

D. 244,972	7/1977	Lübke .....	D6/31
D. 247,463	3/1978	Müller-Deisig .....	D6/31
D. 251,277	3/1979	Kelley .....	D6/31
D. 252,781	9/1979	Ball .....	D6/31
D. 253,677	12/1979	Lübke .....	D6/31

Primary Examiner—Bruce W. Dunkins

[57]

CLAIM

The ornamental design for a furniture base, as shown.

DESCRIPTION

FIG. 1 is a perspective view of a furniture base showing my new design;

FIG. 2 is a view in section along line 2—2 of FIG. 1;

FIG. 3 is a view in section along line 3—3 of FIG. 1; and

FIG. 4 is a view in section along line 4—4 of FIG. 1.

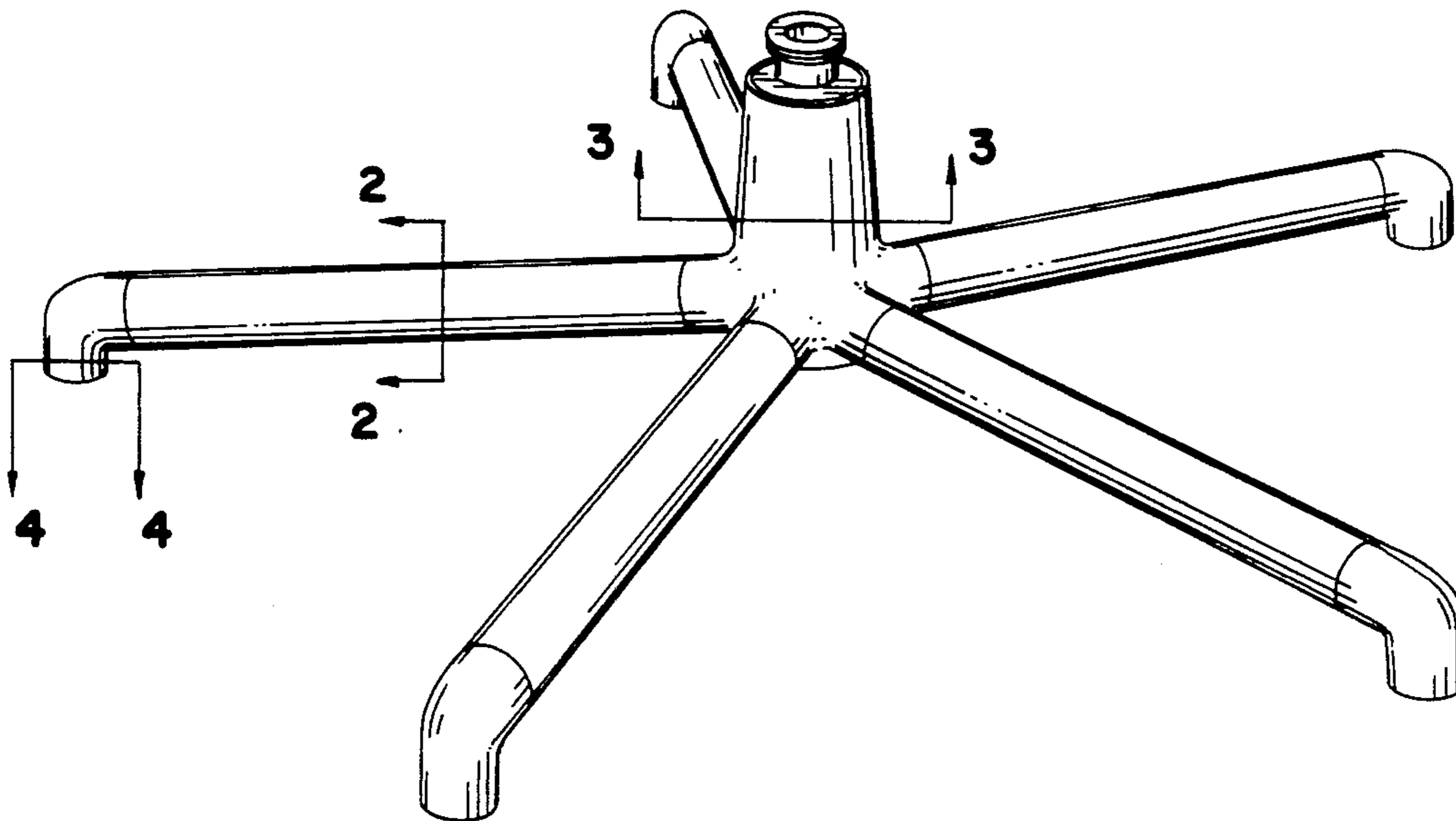


FIG 1

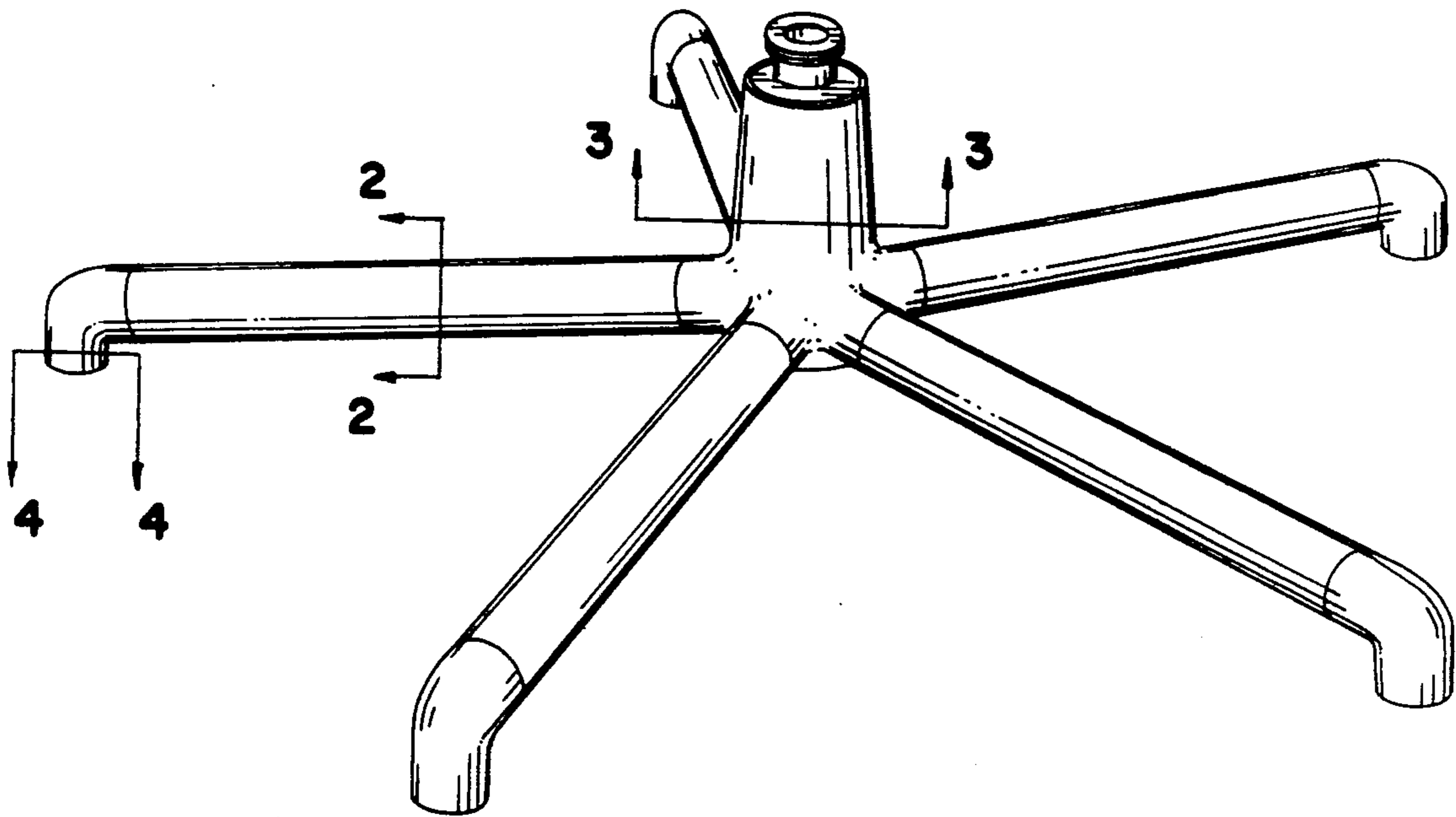


FIG 2

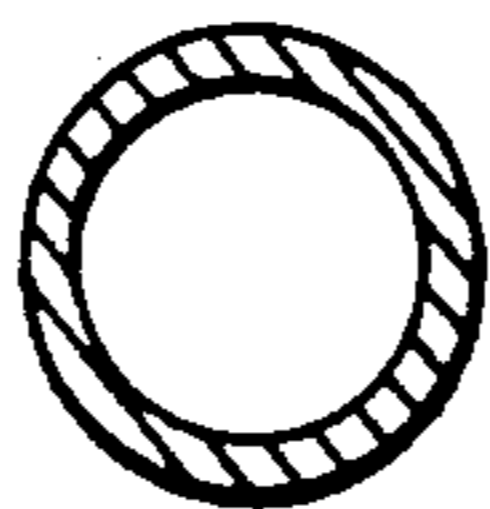


FIG 3



FIG 4