

[54] TOWEL RING

1,177,232 3/1916 Chisholm D6/91

[75] Inventors: Gary A. Fleischmann, Sheboygan, Wis.; Lawrence C. Peabody, Rindge, N.H.

[73] Assignee: Kohler Co., Kohler, Wis.

[**] Term: 14 Years

[21] Appl. No.: 138,837

[22] Filed: Apr. 10, 1980

[51] Int. Cl. D23-02

[52] U.S. Cl. D6/99

[58] Field of Search D6/86-104; 211/13, 16, 87, 88

[56] References Cited

U.S. PATENT DOCUMENTS

D. 139,145 10/1944 Sadowski D6/99
D. 256,863 9/1980 Ryan et al. D6/99

OTHER PUBLICATIONS

Sweet's Architectural Catalog File 1977, Sec. 10.16, p. 29, Towel Ring 934.

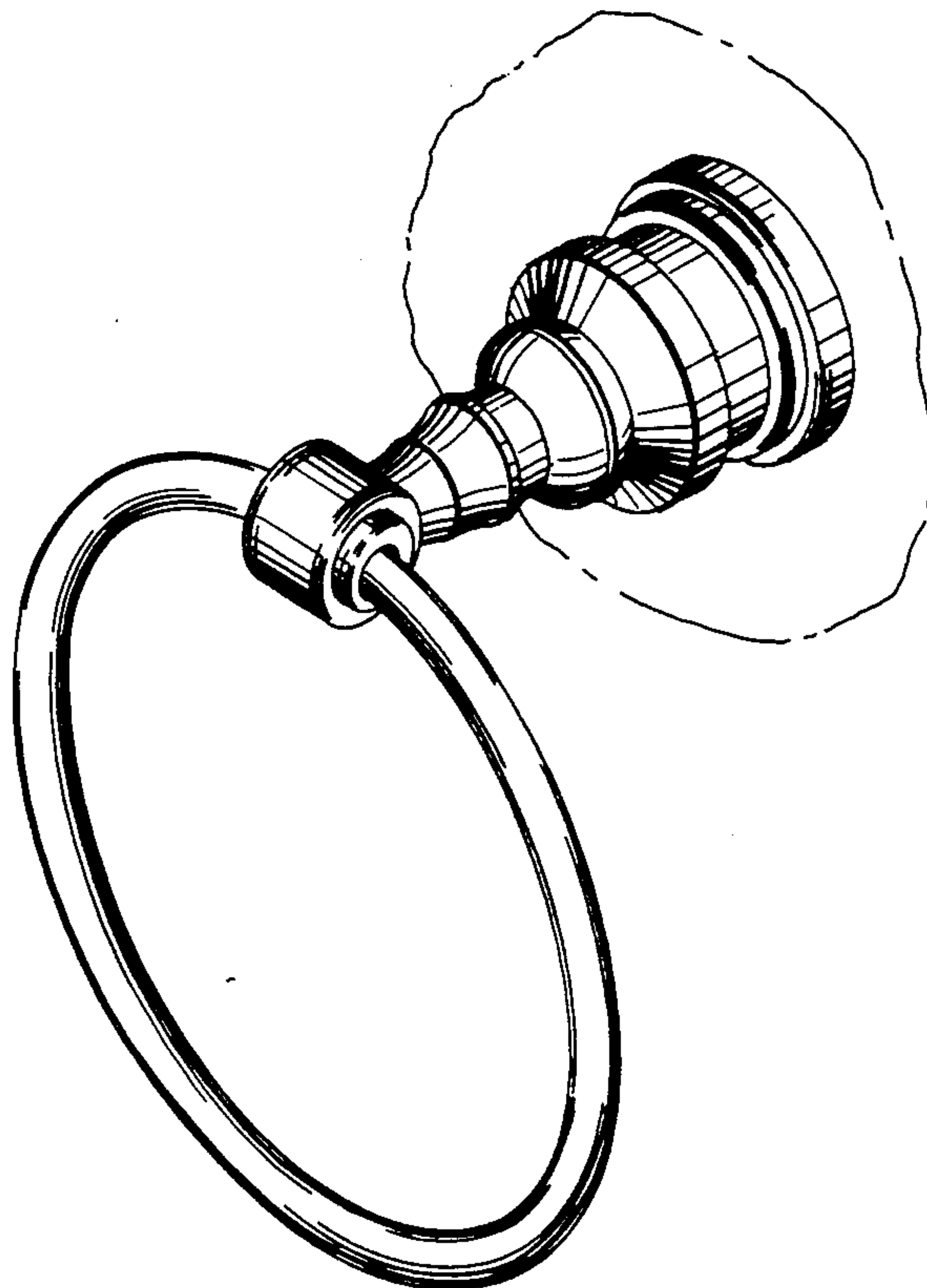
Primary Examiner—B. J. Bullock
Attorney, Agent, or Firm—Quarles & Brady

[57] CLAIM

The ornamental design for a towel ring, as shown and described.

DESCRIPTION

FIG. 1 is a perspective view of a towel ring showing our new design, the portion of a wall shown in broken lines is for illustrative purposes only; FIG. 2 is a top plan view thereof; FIG. 3 is a bottom plan view thereof; FIG. 4 is a side elevational view thereof; and FIG. 5 is a front elevational view thereof.



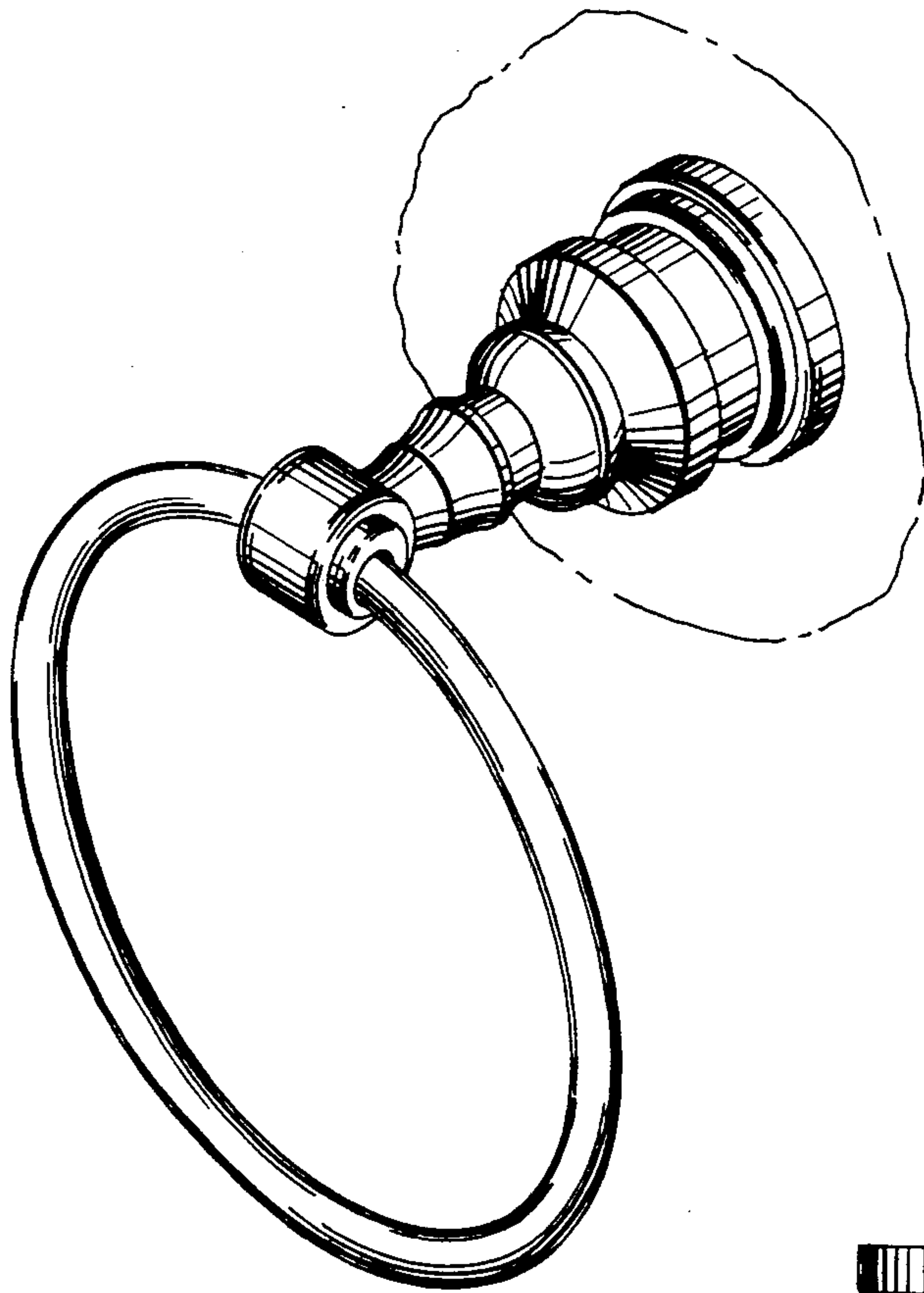


FIG. 1

FIG. 2

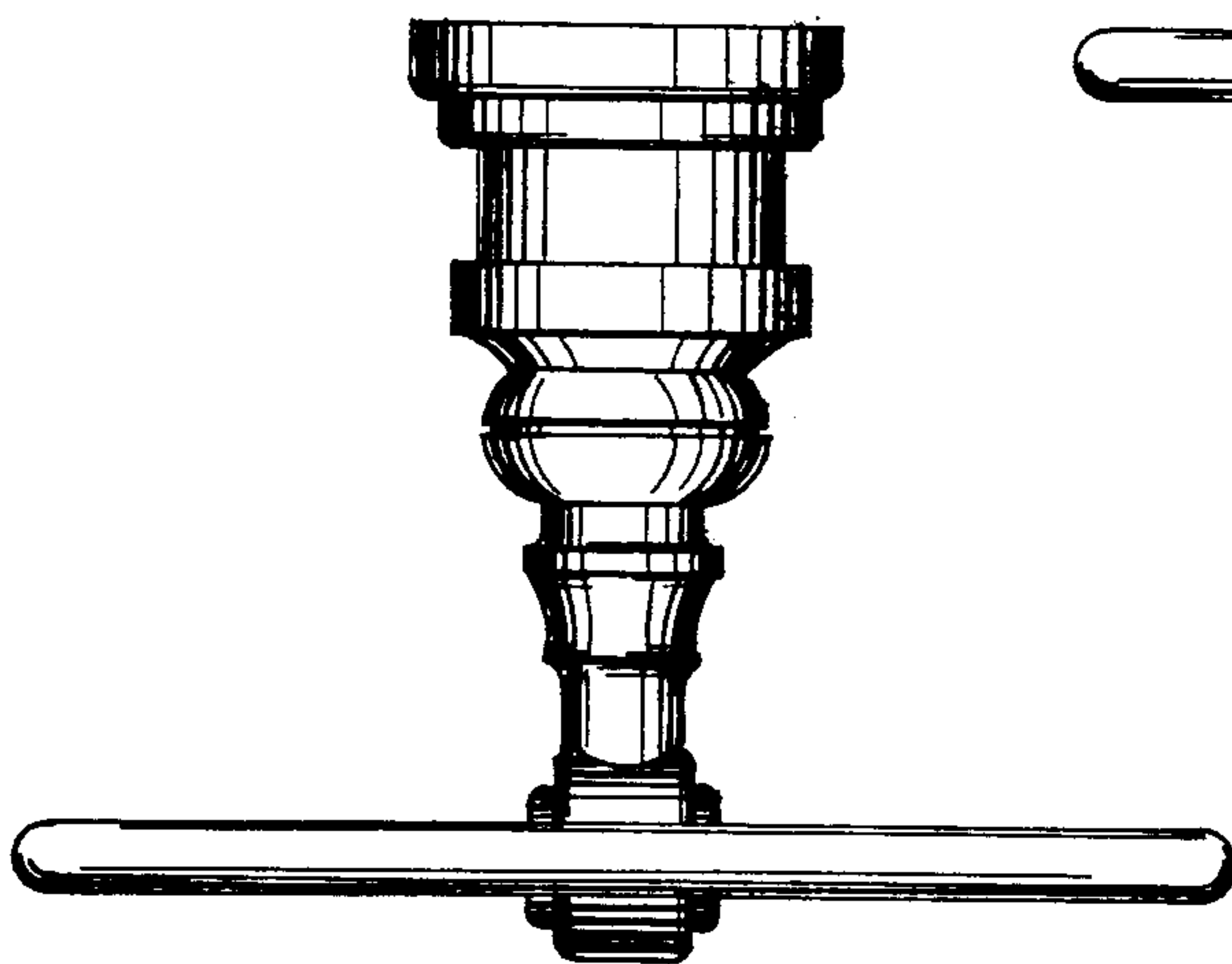
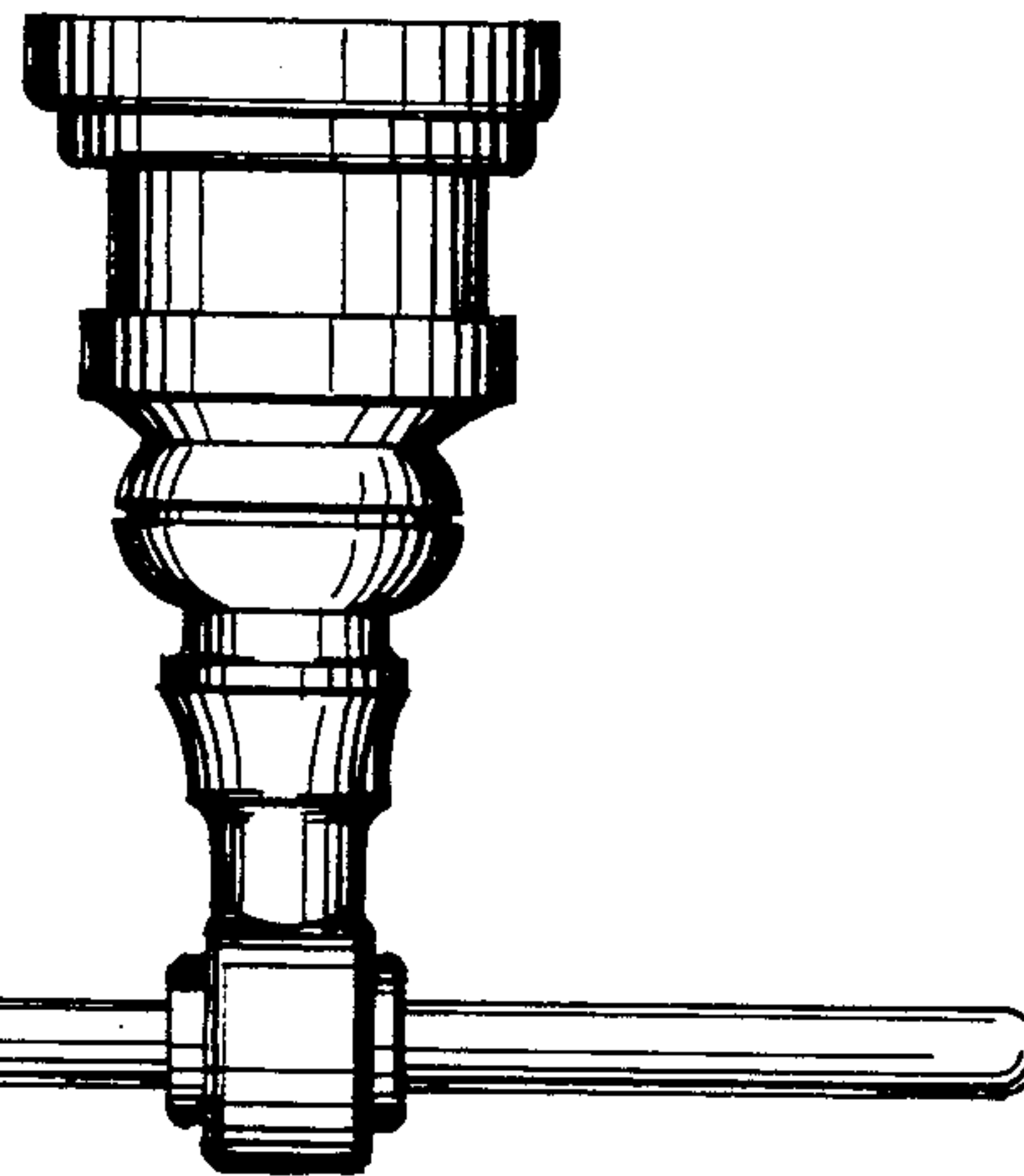


FIG. 3

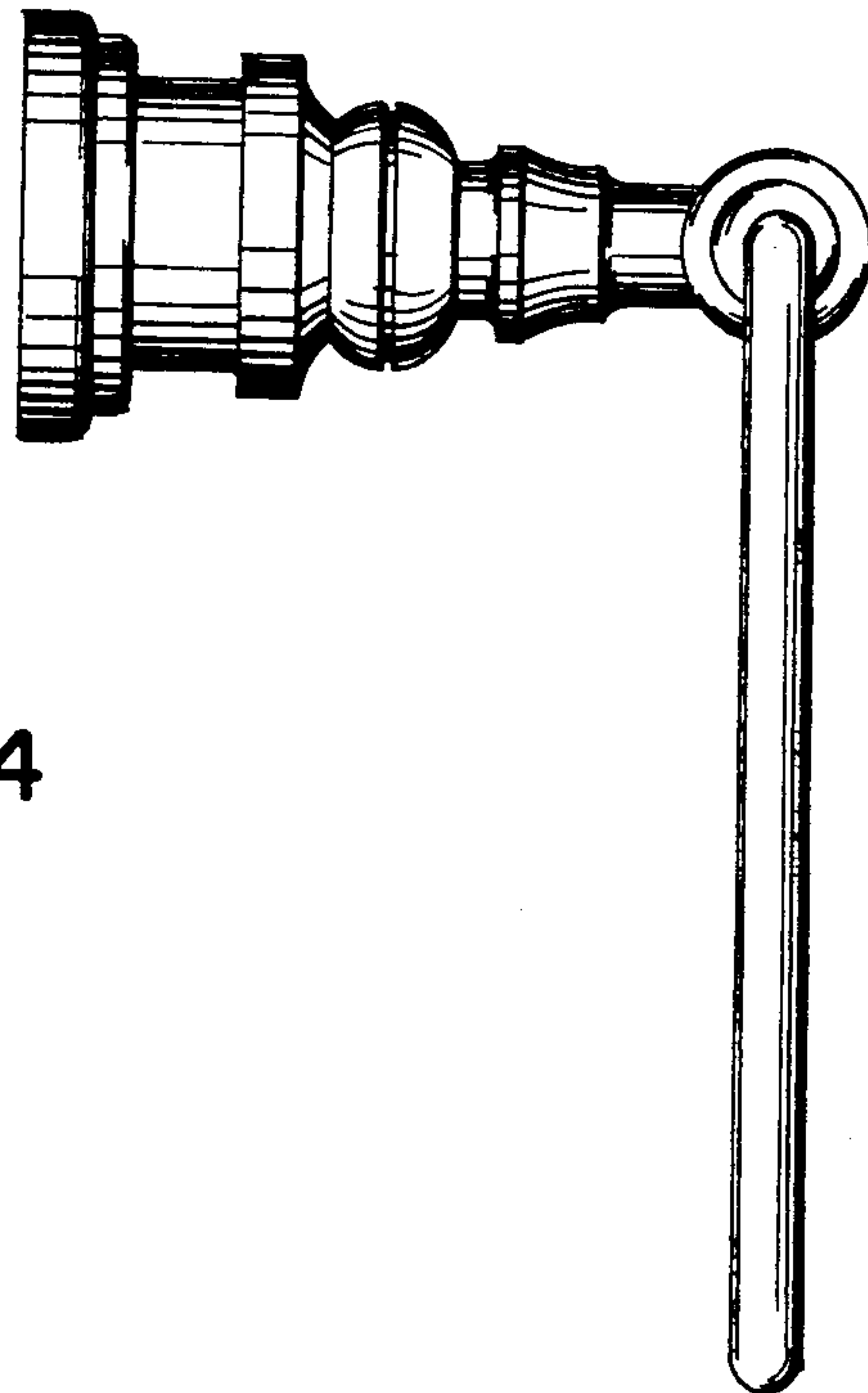


FIG. 4

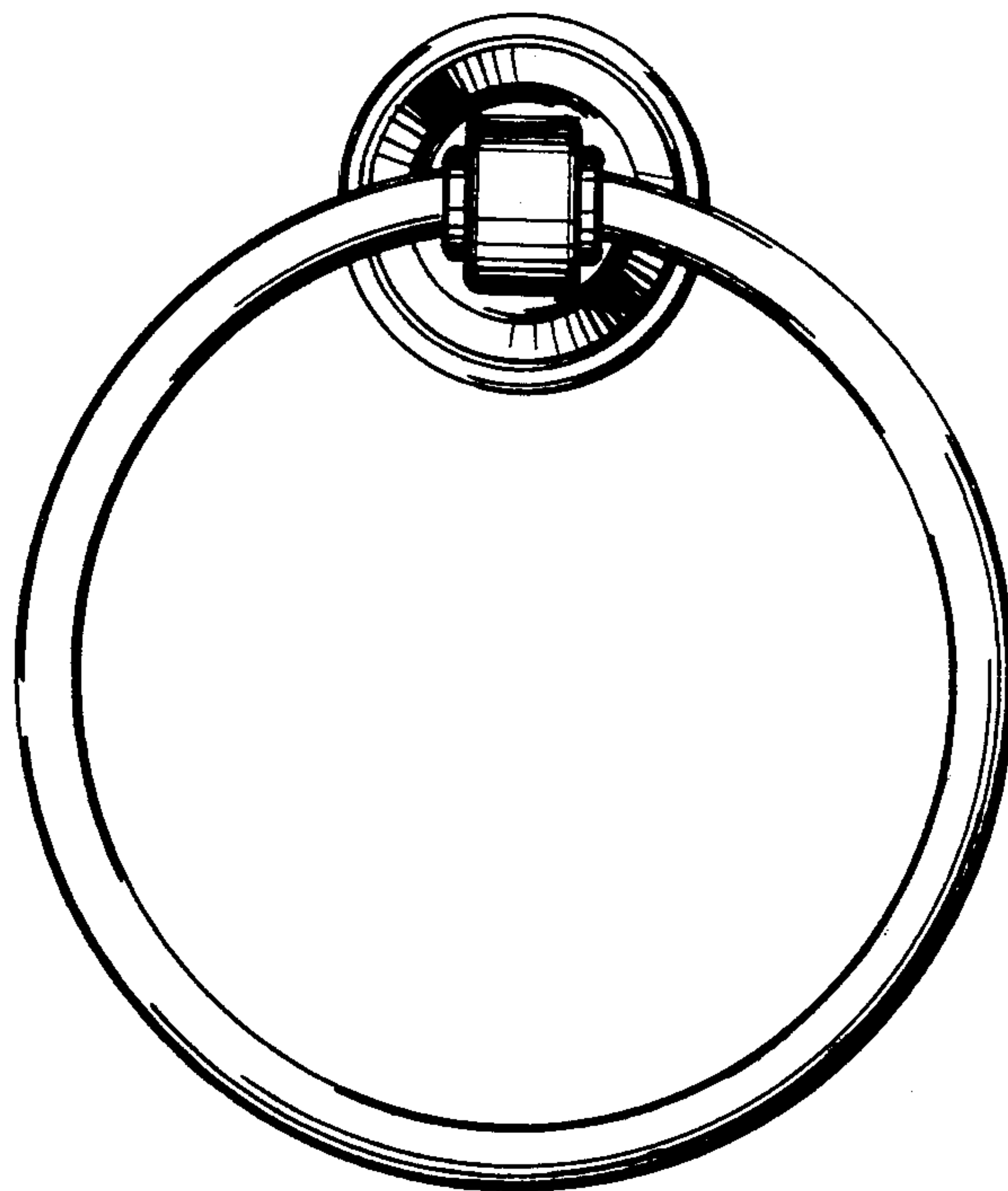


FIG. 5